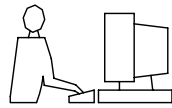
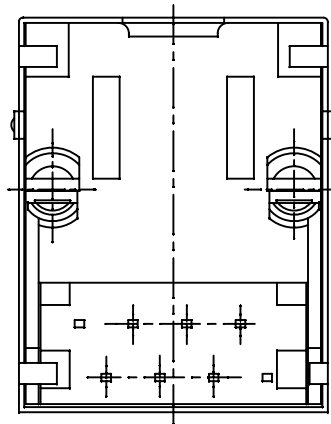
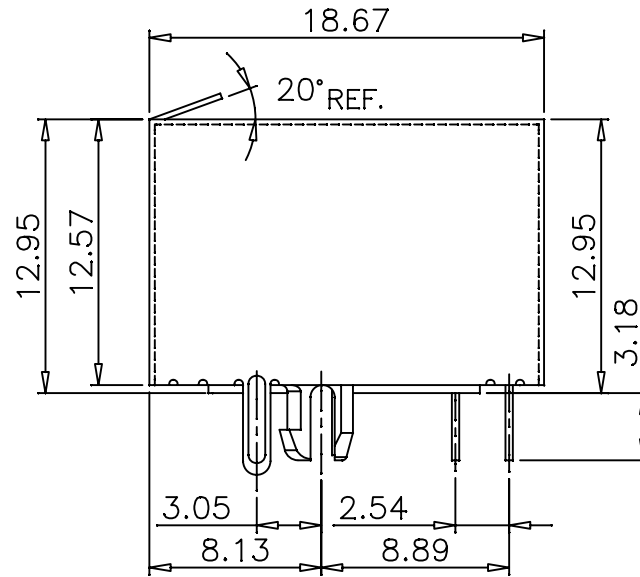
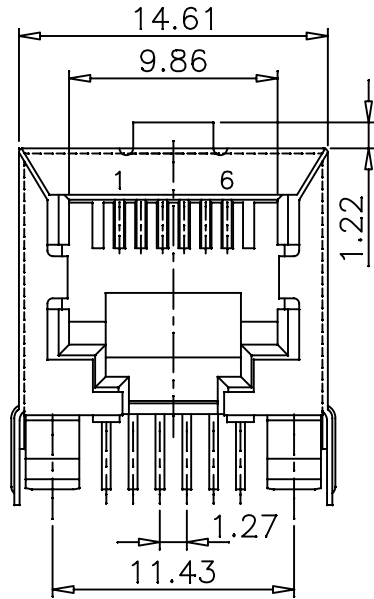


THIS IS A C.A.D. GENERATED DRAWING
DO NOT MAKE MANUAL REVISIONS TO MASTER.



* UNLESS OTHERWISE SPECIFIED TOLERANCES
ON DECIMAL IS: ANGLE $\pm 3^\circ$

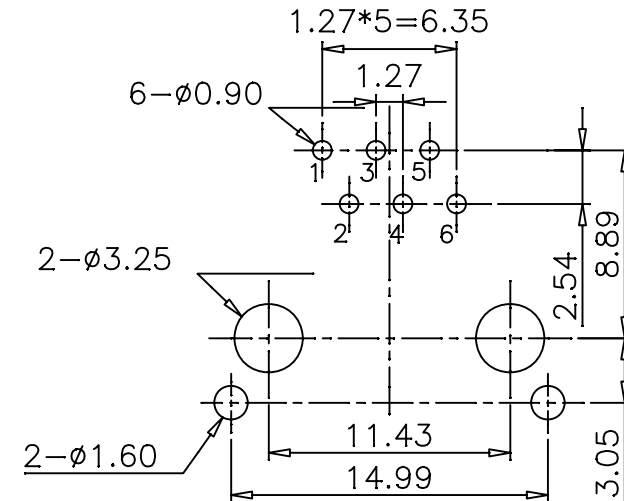
UNIT: MM
X ± 0.50
.X ± 0.38
.XX ± 0.25
.XXX ± 0.10



MATERIALS:

- 1.PLASTIC HOUSING : ENGINEERING THERMOPLASTIC
FLAMMABILITY RATING UL 94V-0.
- 2.CONTACTS : PHOSPHOR BRONZE.
- 3.PLATING : GOLD PLATING OVER NICKEL IN CONTACT.
TIN PLATING OVER NICKEL IN SOLDER AREA.
- 4.SHIELDED : BRASS WITH NICKEL PLATED.

PCB LAYOUT/TOP VIEW



THESE DRAWINGS AND SPECIFICATIONS ARE THE
PROPERTY OF MH CONNECTORS LTD. AND SHALL NOT
BE REPRODUCED, COPIED OR USED AS THE BASIS FOR
THE MANUFACTURE OR SALE OF APPARATUS WITHOUT
WRITTEN PERMISSION.

DRAWN JOHNNY		DATE 07-22-13
APPROVED		DATE



THIS SERIES FULLY CONFORMS TO THE
EUROPEAN UNION DIRECTIVES 2002/95/EC
AND 2002/96/EC FOR RoHS COMPLIANCY.



MH CONNECTORS LTD.

SCALE	SHEET OF 1 OF 1	REV: 1.0
DRAWING No MHRJJ66NFRAS		