

1241388-1 ✓ ACTIVE

AMP | AMP MCP Connector System

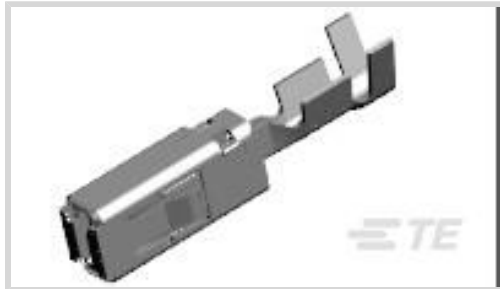
TE Internal #: 1241388-1

Automotive Terminals, Receptacle, Mating Tab Width 2.8 mm [.11 in], Tab Thickness .6 mm [.024 in / .031 in], AMP MCP Connector System

[View on TE.com >](#)



Terminals & Splices > Automotive Terminals > AMP MCP, RECEPTACLE AND TAB



Terminal Type: **Receptacle**

Mating Tab Width: **2.8 mm [.11 in]**

Mating Tab Thickness: **.6 mm [.024 in, .031 in]**

Terminal Transmits: **0 – 24 A (Low Power)**

Wire Size: **20 – 17 AWG**

[All AMP MCP, RECEPTACLE AND TAB \(129\)](#)

## Features

### Product Type Features

Receptacle Style	180°
Sealable	No
Primary Locking Feature	Locking Lance

### Contact Features

Contact Size	2.8K
Contact Fabrication	Stamped & Formed
Wire Contact Termination Area Plating Material	Tin
Typical Current Rating	15 A
Crimp Type	F-Crimp
Terminal Type	Receptacle
Mating Tab Width	2.8 mm [.11 in]
Mating Tab Thickness	.6 mm [.024 in] [.031 in]
Interface Plating	Tin (Sn)

### Termination Features

Termination Method to Wire & Cable	Crimp
Product Terminates To	Wire

### Dimensions



Compatible Insulation Diameter Range	1.4 – 2.1 mm [.055 – .083 in]
Wire Size	.5 – 1 mm <sup>2</sup>
Wire Size Search	17 AWG, 18 AWG, 19 AWG, 20 AWG

### Usage Conditions

Insulation Option	Uninsulated
Operating Temperature (Max)	80 °C, 85 °C, 90 °C, 100 °C, 105 °C, 110 °C, 120 °C, 125 °C, 130 °C [176 °F][185 °F][194 °F][212 °F][221 °F][230 °F][248 °F][257 °F][266 °F]
Operating Temperature Range	-40 – 130 °C [-40 – 266 °F]

### Operation/Application

Compatible With Wire Base Material	Copper
------------------------------------	--------

### Packaging Features

Packaging Quantity	3500
Packaging Method	Reel

### Other

Terminal Transmits	0 – 24 A (Low Power)
--------------------	----------------------

## Product Compliance

[For compliance documentation, visit the product page on TE.com>](#)

EU RoHS Directive 2011/65/EU	Compliant
EU ELV Directive 2000/53/EC	Compliant
China RoHS 2 Directive MIIT Order No 32, 2016	No Restricted Materials Above Threshold
EU REACH Regulation (EC) No. 1907/2006	Current ECHA Candidate List: JUNE 2023 (235) Candidate List Declared Against: JAN 2023 (233) Does not contain REACH SVHC
Halogen Content	Low Halogen - Br, Cl, F, I < 900 ppm per homogenous material. Also BFR/CFR/PVC Free
Solder Process Capability	Not applicable for solder process capability

#### Product Compliance Disclaimer

This information is provided based on reasonable inquiry of our suppliers and represents our current actual knowledge based on the information they provided. This information is subject to change. The part numbers that TE has identified as EU RoHS compliant have a maximum concentration of 0.1% by weight in homogenous materials for lead, hexavalent

chromium, mercury, PBB, PBDE, DBP, BBP, DEHP, DIBP, and 0.01% for cadmium, or qualify for an exemption to these limits as defined in the Annexes of Directive 2011/65/EU (RoHS2). Finished electrical and electronic equipment products will be CE marked as required by Directive 2011/65/EU. Components may not be CE marked. Additionally, the part numbers that TE has identified as EU ELV compliant have a maximum concentration of 0.1% by weight in homogenous materials for lead, hexavalent chromium, and mercury, and 0.01% for cadmium, or qualify for an exemption to these limits as defined in the Annexes of Directive 2000/53/EC (ELV). Regarding the REACH Regulation, the information TE provides on SVHC in articles for this part number is based on the latest European Chemicals Agency (ECHA) 'Guidance on requirements for substances in articles' posted at this URL: <https://echa.europa.eu/guidance-documents/guidance-on-reach>

## Compatible Parts



TE Part # 963294-1  
SINGLE WIRE SEAL INSULATION DI



TE Part # 2305570-1  
Strip Terminal Cutter-Side Feed-No Crimp



TE Part # CAT-AM705-CH8173  
AMP MCP Unsealed Connector Housings



TE Part # 1-1563331-1  
10POS MIXED MQS REC COD A



TE Part # 1897543-2  
22POS MIXED MQS REC



TE Part # 2109340-2  
025/060/110 DOOR 50P PLUG ASSY



TE Part # 2208746-1  
28POS MQS REC



TE Part # 1563123-2  
10POS, MIXED, REC HSG



TE Part # 2-2151099-2  
OCEAN\_2.0\_APPLICATOR-S-080F100OV



TE Part # 2112668-1  
23POS MIXED MQS REC



TE Part # 2298567-1  
22POSN., REC ASSY, MCON1.2, MQS, MCP2.8



TE Part # 2298622-1  
24POS, HYBRID, REC HSG ASSY, UNSLD, COD A



TE Part # 2298633-1  
60POS, HYBRID, REC HSG ASSY, UNSLD, COD A



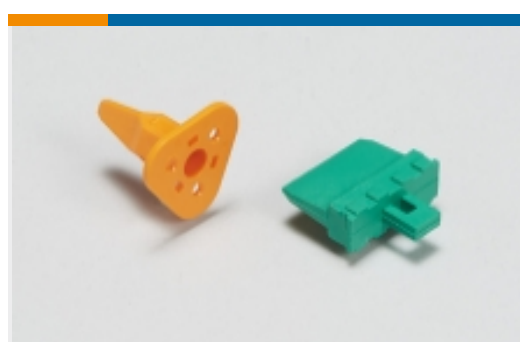
TE Part # 7-2151099-1  
OCEAN\_2.0\_APPLICATOR-S-080F100OV

Also in the Series | **AMP MCP Connector System**





Automotive Connector Caps &amp; Covers (25)



Automotive Connector Locks &amp; Position Assurance(7)



Automotive Housings(360)



Automotive Terminals(135)



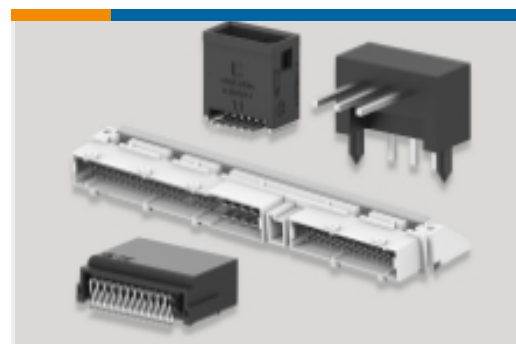
Connector Seals &amp; Cavity Plugs(6)



Insertion &amp; Extraction Tools(13)

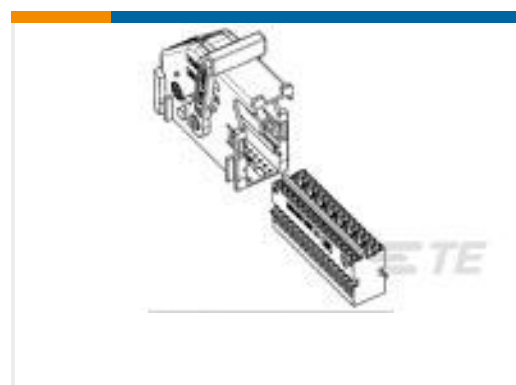


Other Automotive Connector Accessories(2)



PCB Headers &amp; Receptacles(30)

## Customers Also Bought

TE Part #1564982-1  
AMP MCP, RECEPTACLE AND TABTE Part #964263-3  
TIMER, RECEPTACLE AND TABTE Part #2318600-1  
12POS,MCON 0.5,REC HSG ASSY,SLD,  
COD ATE Part #284999-3  
32 POS. KIT ASS'Y FOR AIRBAG V  
COD ATE Part #638393-5  
10P PLUG ASSY A KEY -W/ CPATE Part #2098380-2  
20 POS HYBRID UNSEALED CAP KY-B  
STD CLIPTE Part #2272975-5  
6 Pos. Sealed MCON 1.2 Connect

## Documents

### Product Drawings

[AMP MCP 2.8K, CONTACT](#)

English

[AMP MCP 2.8K, CONTACT](#)

English

### CAD Files

[Customer View Model](#)

[ENG\\_CVM\\_1241388-1\\_C6.3d\\_igs.zip](#)



English

Customer View Model

[ENG\\_CVM\\_1241388-1\\_C6.3d\\_stp.zip](#)

English

Customer View Model

[ENG\\_CVM\\_1241388-1\\_C6.2d\\_dxf.zip](#)

English

[3D PDF](#)

English

By downloading the CAD file I accept and agree to the [Terms and Conditions](#) of use.

### Product Specifications

[Application Specification](#)

German

[Application Specification](#)

German

[Application Specification](#)

English