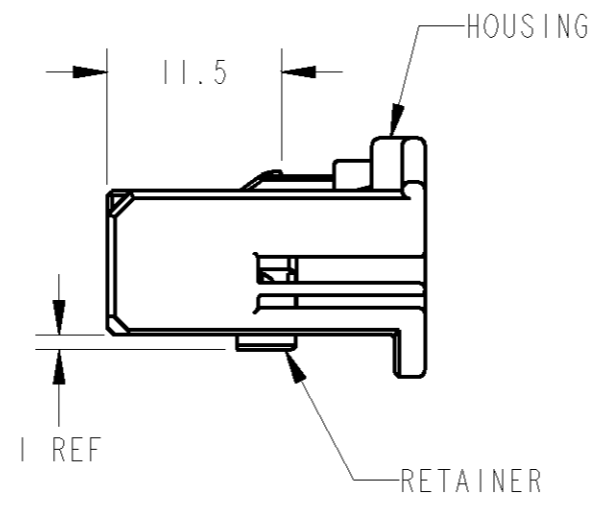
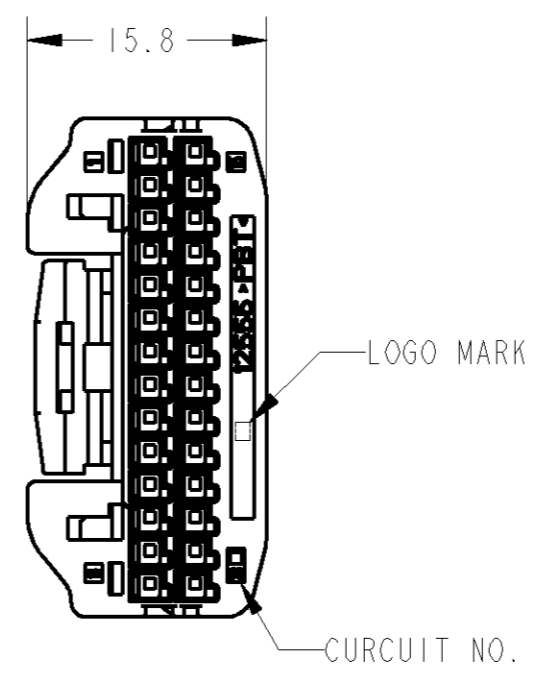
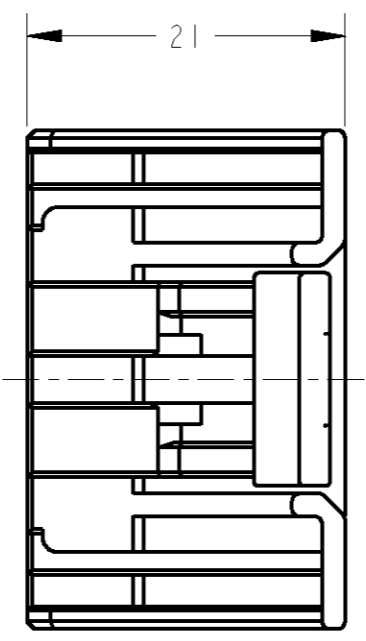
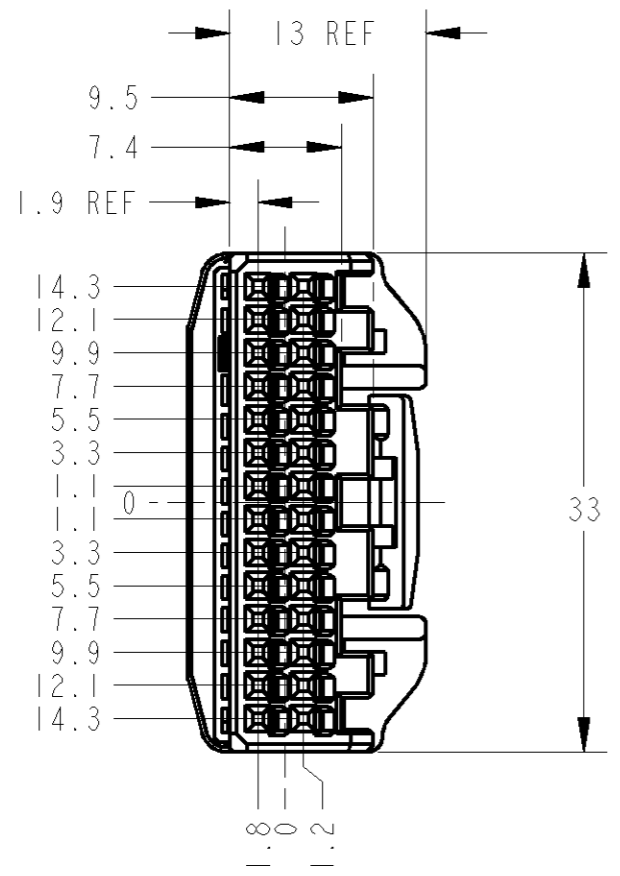


THIS DRAWING IS UNPUBLISHED. RELEASED FOR PUBLICATION 2004
 © COPYRIGHT 2004 BY TYCO ELECTRONICS CORPORATION. ALL RIGHTS RESERVED.

LOC	DIST	REVISIONS						
		P	LTR	DESCRIPTION	ECN	DATE	DWN	APVD
J	-		O	作成 RELEASED	FJA0-0067-04	26JAN04	SA	KA
			A	REVISED	ECR-10-007504	26MAY10	TS	KB



1. RETAINER SHOULD BE SENT TO THE PRE-ASSEMBLY.
2. INSTRUCTION SHEET NO. 411-78080.
3. PART NUMBER OF CAP HOUSING TO BE MATED : SEE TABLE-1
4. APPLIED TERMINALS : SEE TABLE-2

1. プラグハウジングにリテーナを仮係止して出荷される
2. 取扱説明書NO. 411-78080
3. 嵌合相手型番 : TABLE-1参照
4. 適用端子 : TABLE-2参照

TABLE-1

POS 極数	CAP ASSEMBLY PART NO. キャップ 型番	
28	W-W	1565377
	W-B	1565375

TABLE-2

	TERMINAL NO. 端子型番	APPLEVABLE WIRE RANGE 適用電線
0.64111 SIGNAL	TIN	1674311-1
	SELECTIVE GOLD	1674311-2

PAPER BOX ダンボール	PLASTIC BAG ビニール袋	NATURAL	1717115-1
OUTER 外装	INNER 内装	COLOR	PART NUMBER
PACKING STYLE 梱包形態			

THIS DRAWING IS A CONTROLLED DOCUMENT FOR TYCO ELECTRONICS CORPORATION IT IS SUBJECT TO CHANGE AND THE CONTROLLING ENGINEERING ORGANIZATION SHOULD BE CONTACTED FOR THE LATEST REVISION.		DWN S. AMEMIYA 26JAN04	Tyco Electronics Corporation Kawasaki, Japan	
DIMENSIONS: 単位: 概 mm		CHK H. YAMAGAMI 26JAN04	NAME 名称 0.64111 28P PLUG HSG ASSEMBLY	
TOLERANCES UNLESS OTHERWISE SPECIFIED: 一般公差 ±0.3 0-PLC ± 1-PLC ±0.1 2-PLC ±0.01 3-PLC ±0.001 4-PLC ±0.0001 ANGLES ±3'00"		APVD K. ASAI 26JAN04	RESTRICTED TO -	
MATERIAL 材料 PBT		PRODUCT SPEC 製品規格 108-5931	SIZE A3	CAGE CODE 00779
FINISH 仕上 SEE TABLE		APPLICATION SPEC 取付適用規格 114-5329	DRAWING NO C=1717115	SCALE 尺度 2:1
WEIGHT 4.3g		CUSTOMER DRAWING		
		SHEET 1 OF 1		REV A