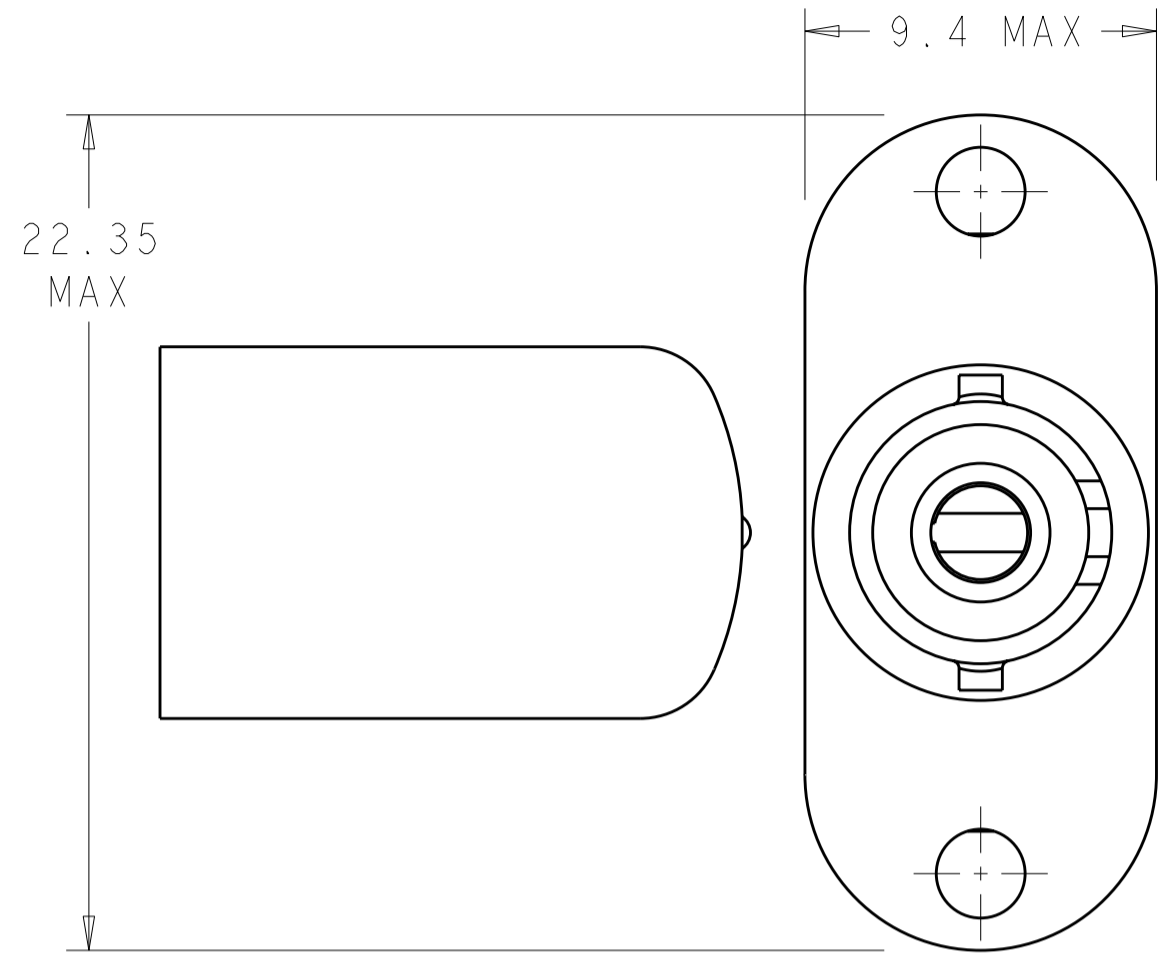
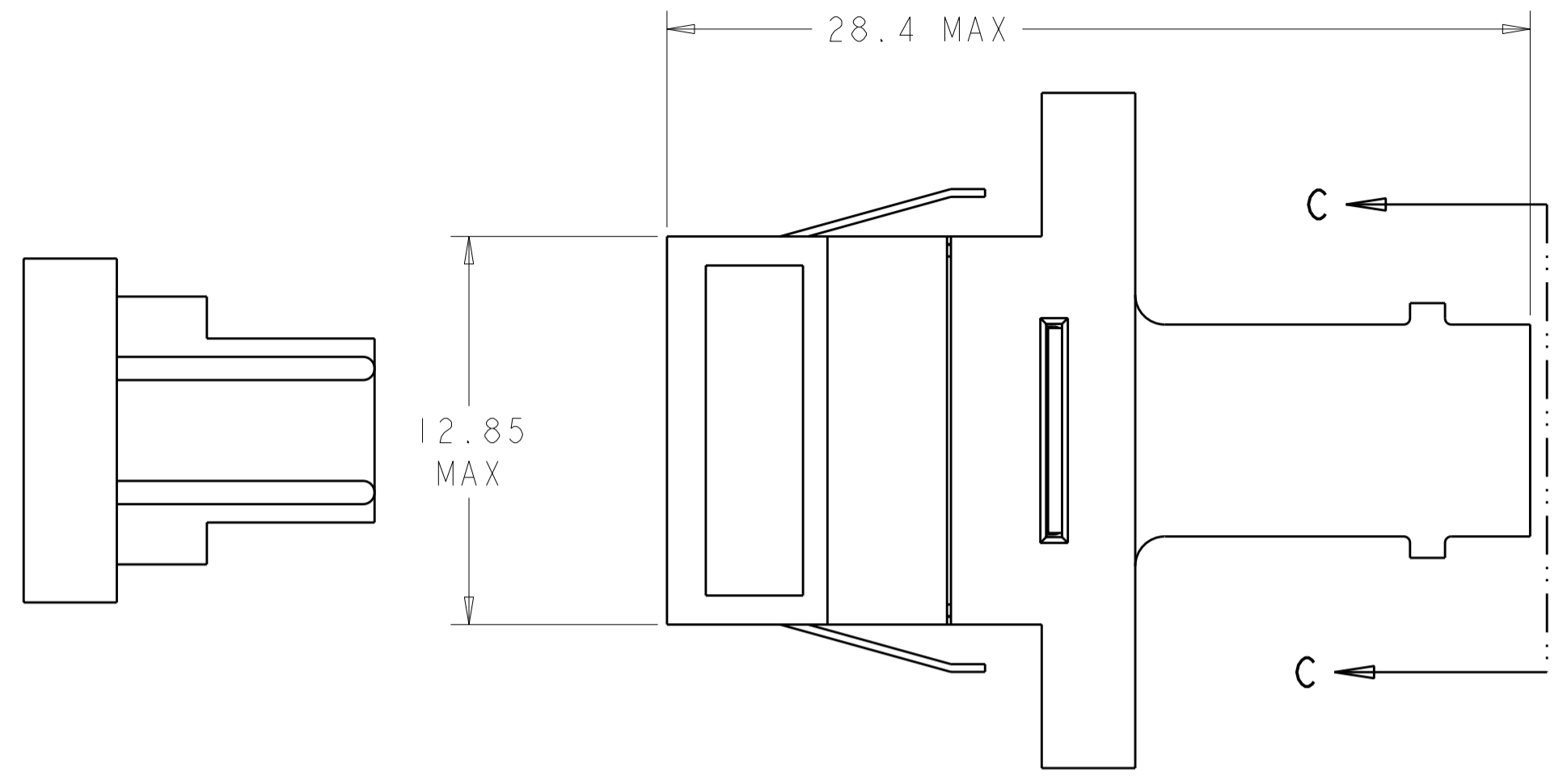


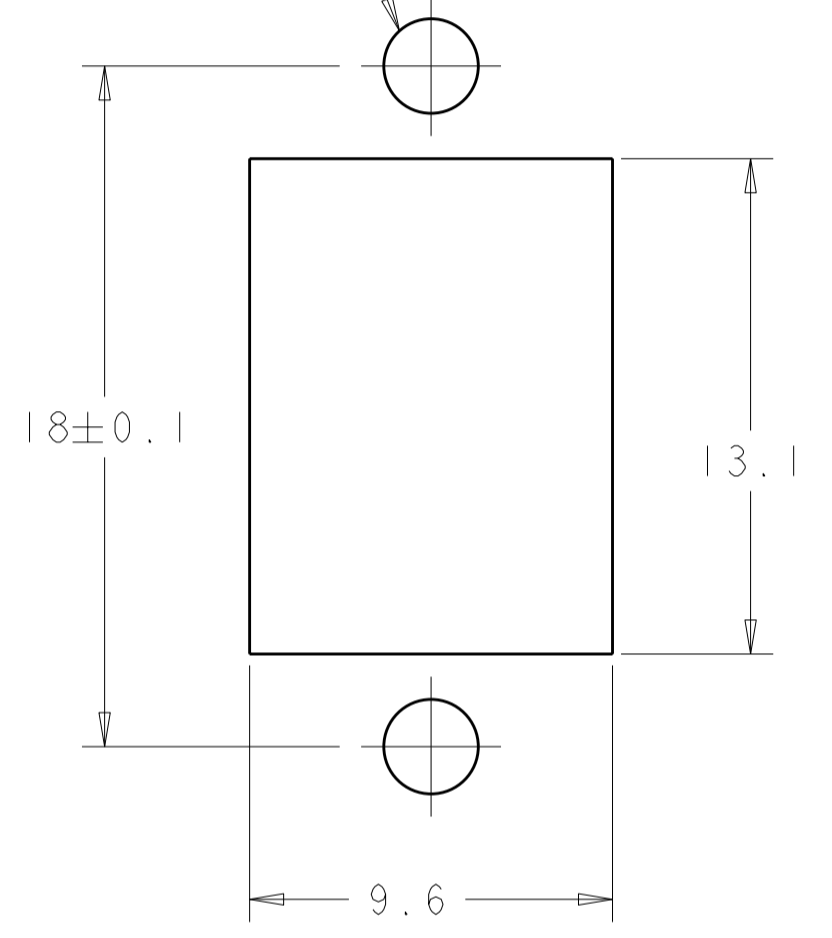
THIS DRAWING IS UNPUBLISHED.
 RELEASED FOR PUBLICATION 20
 © COPYRIGHT 20 BY TYCO ELECTRONICS CORPORATION. ALL RIGHTS RESERVED.

LOC CE
 DIST 00

REVISIONS				
P	LTR	DESCRIPTION	DATE	APVD
1		RELEASE PER NPR 06-0529	11MAY2006	BB SM

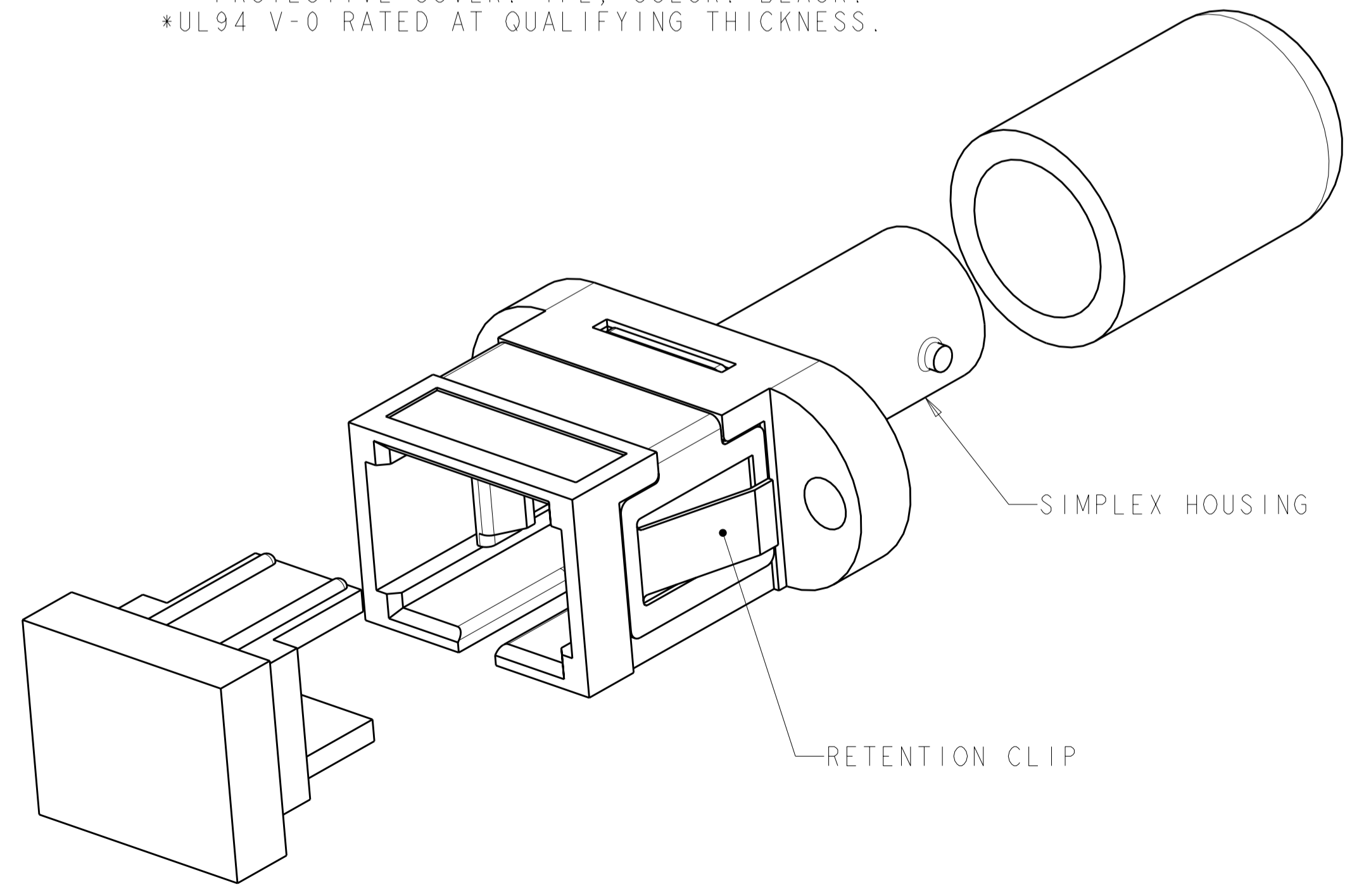


#2-56UNC-2B
 2x



SUGGESTED PANEL CUTOUT
 MAX PANEL THICKNESS 1.7

⚠ MATERIAL:
 HOUSING: PBT-GF30, SEE DASH NUMBERS FOR COLOR.*
 RETAINER: PEI-GF30, COLOR: BLACK.*
 RETENTION CLIP: STAINLESS STEEL.
 ALIGNMENT SLEEVE: SEE DASH NUMBERS.
 PROTECTIVE CAP: VINYL.
 PROTECTIVE COVER: TPE, COLOR: BLACK.*
 *UL94 V-0 RATED AT QUALIFYING THICKNESS.



CERAMIC	BLACK	1918540-1
ALIGNMENT SLEEVE	COLOR	PART NUMBER

THIS DRAWING IS A CONTROLLED DOCUMENT FOR TYCO ELECTRONICS CORPORATION. IT IS SUBJECT TO CHANGE AND THE CONTROLLING ENGINEERING ORGANIZATION SHOULD BE CONTACTED FOR THE LATEST REVISION.		DWN B. BRIGGS 11MAY2006	Tyco Electronics	
		CHK S. MILLER 11MAY2006	Harrisburg, PA 17105-3608	
		APVD S. BUCHTER 11MAY2006	NAME RECEPTACLE ASSEMBLY, AMP SC TO BAYONET	
DIMENSIONS: mm		PRODUCT SPEC -	SIZE A2	RESTRICTED TO -
TOLERANCES UNLESS OTHERWISE SPECIFIED:		APPLICATION SPEC -	CAGE CODE 00779	DRAWING NO 1918540
0 PLC ±		WEIGHT -	SCALE 5:1	SHEET OF REV 1
1 PLC ±0.1		CUSTOMER DRAWING		
2 PLC ±0.05				
3 PLC ±				
4 PLC ±				
ANGLES ±				
FINISH -				