



Certifications & Ratings

- RoHS compliant
- IP66/IP67
- IK10
- NEMA 4X

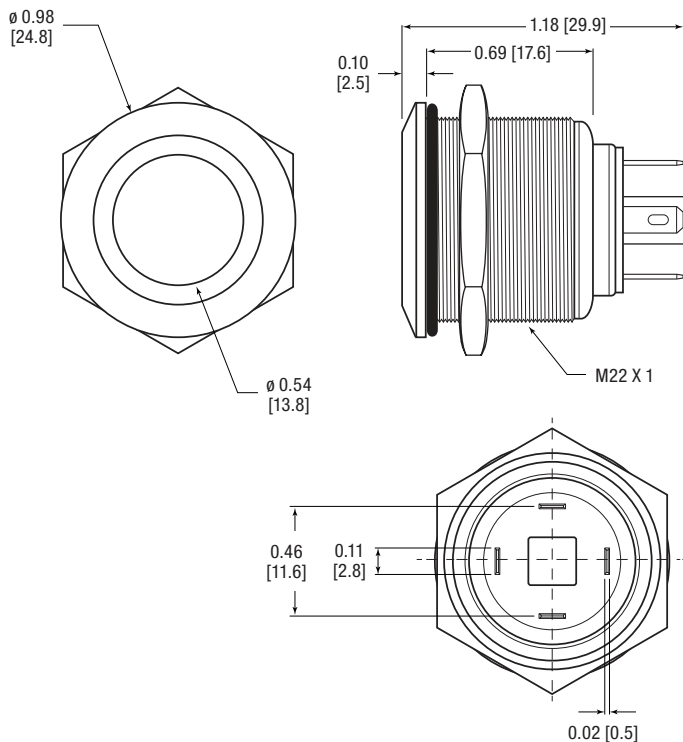
Application

The 621 Series Heavy Duty LED Panel Mount Indicators are elegantly designed for a high-end aesthetic paired with sturdy construction. These indicators are non-magnetic, corrosion resistant for both indoor and outdoor use, and secured to prevent dirt, dust, and water penetration. Ideal for a variety of applications such as:

- Main power indication
 - Remote power indication
 - Status indication
 - Maintenance and warning indication
 - Instrumentation
- ... and many more!

Dimensions

inches [mm]



Please use the markings on the housing to properly connect this part for normal operation.

Mechanical Information

Mounting Hole Size:	0.866" (22mm)
Max Panel Thickness:	0.394" (10mm)
Mounting Torque:	7.01 lbs-ft (9.5 Nm)

Specifications

Operating Voltage:	3, 6, 12 & 24 VDC (internal resistor included)
Operating Temp:	-25 °C to +70 °C (-13 °F to 158 °F)
Storage Temp:	-25 °C to +70 °C (-13 °F to 158 °F)
Electrical Connection:	Solder terminals, Common Cathode
Housing:	Stainless Steel
Terminals:	Stainless Steel
Nut:	Stainless Steel

Ordering Information 621 Series

Dialight P/N	Color	Voltage (VDC)	Current (mA)	Typical Intensity (mcd)
--------------	-------	---------------	--------------	-------------------------

Diffused Lens

621-1121-304F	(TriColor)	3	15	<ul style="list-style-type: none"> ● Red: 200 ● Green: 250 ● Blue: 300
621-1122-304F	● Red	6		
621-1123-304F	● Green	12		
621-1124-304F	● Blue	24		
621-1141-304F	(TriColor)	3	15	<ul style="list-style-type: none"> ● Red: 115 ● Green: 110 ● Yellow: 435
621-1142-304F	● Red	6		
621-1143-304F	● Green	12		
621-1144-304F	● Yellow	24		

Clear Lens

621-1121-314F	(TriColor)	3	15	<ul style="list-style-type: none"> ● Red: 200 ● Green: 250 ● Blue: 300
621-1122-314F	● Red	6		
621-1123-314F	● Green	12		
621-1124-314F	● Blue	24		
621-1141-314F	(TriColor)	3	15	<ul style="list-style-type: none"> ● Red: 115 ● Green: 110 ● Yellow: 435
621-1142-314F	● Red	6		
621-1143-314F	● Green	12		
621-1144-314F	● Yellow	24		

Part Number Guide

RoHS Compliant

