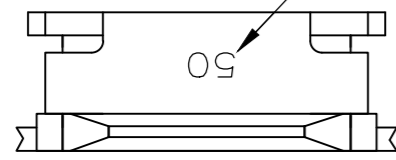


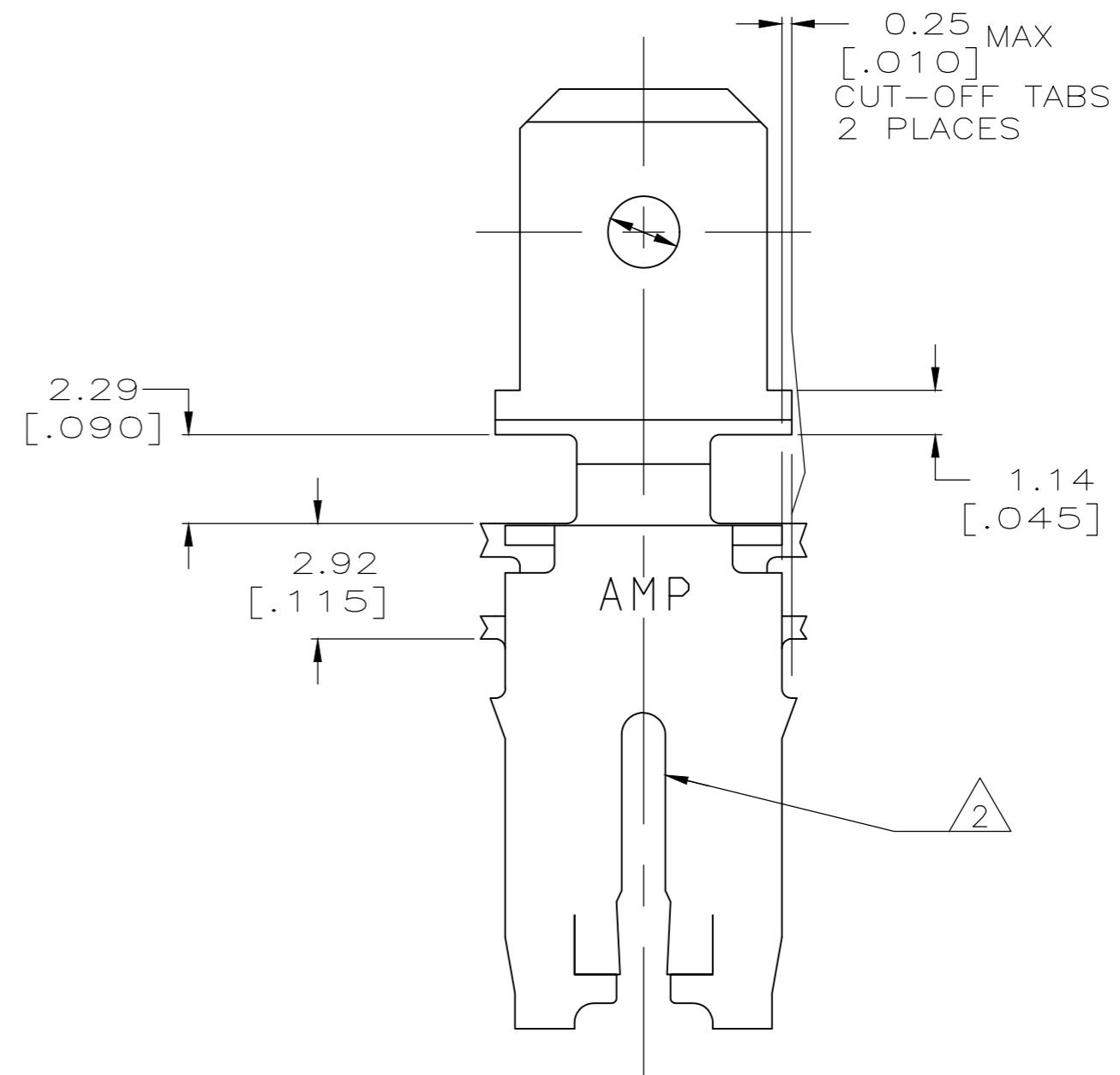
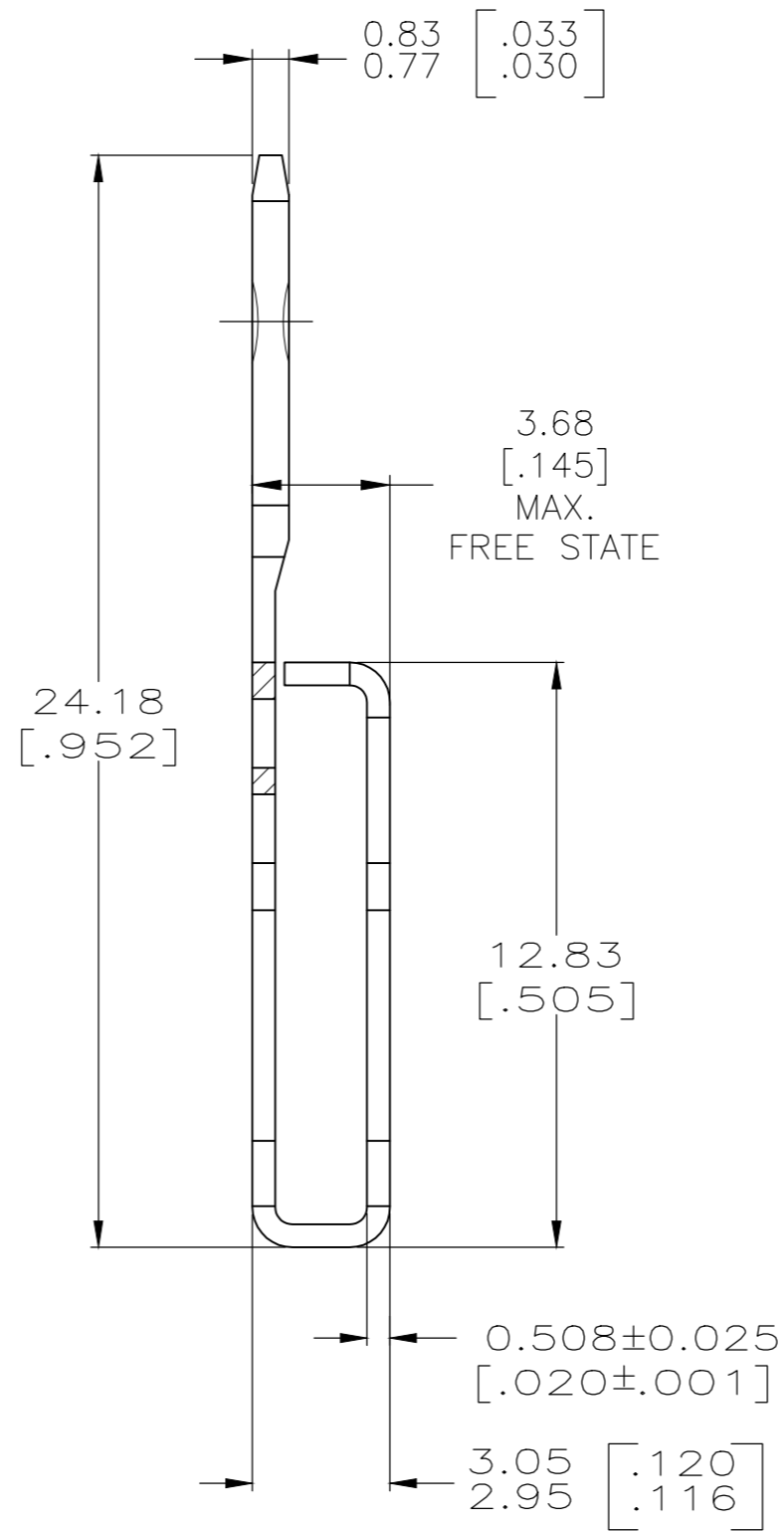
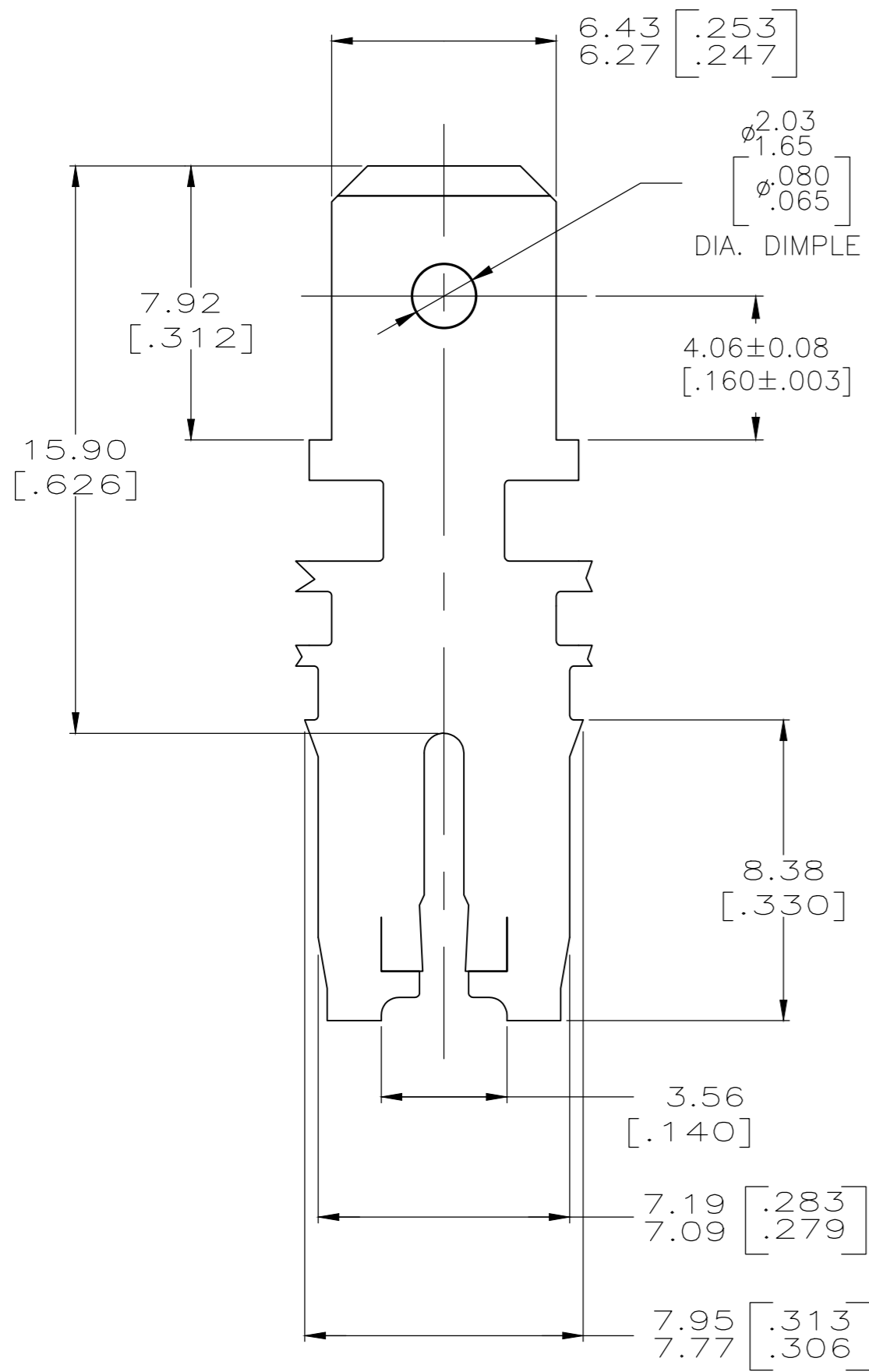
THIS DRAWING IS UNPUBLISHED. RELEASED FOR PUBLICATION
 © COPYRIGHT - TE Connectivity Ltd. ALL RIGHTS RESERVED.

REVISIONS				
P	LTR	DESCRIPTION	DATE	DWN APVD
F1		REVISED PER ECR-19-001960	07FEB2019	BDA SV

IDENTIFICATION NUMBER 50 FOR MAGNET WIRE RANGE



- 1 CONTINUOUS STRIP ON REELS WITH TERMINALS LOCATED ON 8.38 ± 0.08 [.330 ± .003] CENTERS.
- 2 SLOT ACCEPTS 2.05mm [#12] SINGLE COPPER MAGNET WIRE. OR SLOT ACCEPTS 2.05-2.30mm [#12-11] SINGLE AL MAGNET WIRE
- 3 AFTER INSERTION INTO PLASTIC HOLDER TAB PORTION MUST BE BENT OVER 45° TO 90° OR POTTED-IN TO PREVENT PULL-OUT WHEN MATING RECEPTACLE IS DISCONNECTED.
- 4 VARNISH RESIST OVER 0.002032 [.000080] MIN TIN.



63425-1
PART NUMBER

THIS DRAWING IS A CONTROLLED DOCUMENT.		DWN RAGHAVENDRA 01SEP06		
DIMENSIONS: mm [INCHES]		CHK KURT A RANDOLPH		
TOLERANCES UNLESS OTHERWISE SPECIFIED:		APVD KURT A RANDOLPH	NAME	
0 PLC ± -		PRODUCT SPEC	TAB, 6.35 [.250] FASTON,™	
1 PLC ± -		APPLICATION SPEC	MAG-MATE™	
2 PLC ± 0.25 [.010]		108-2053	SIZE A2	CAGE CODE 00779
3 PLC ± -		114-2066	DRAWING NO C=63425	RESTRICTED TO -
4 PLC ± -		WEIGHT -	SCALE 6:1	SHEET 1 of 1
ANGLES ± -		CUSTOMER DRAWING	REV F1	
FINISH 4				