



East Electronics



Product Specification

48273 Lakeview Blvd
 Fremont, CA 94538, U.S.A
 Tel: 510-413-0002
 Fax: 510-413-0010
<http://www.east-elec.com>

| | |
|----------------------|-----------|
| Product Name: | Inductor |
| Part Number : | ELB-60 |
| Version: | 1.1 |
| Date: | 2019-7-15 |
| Note: | |

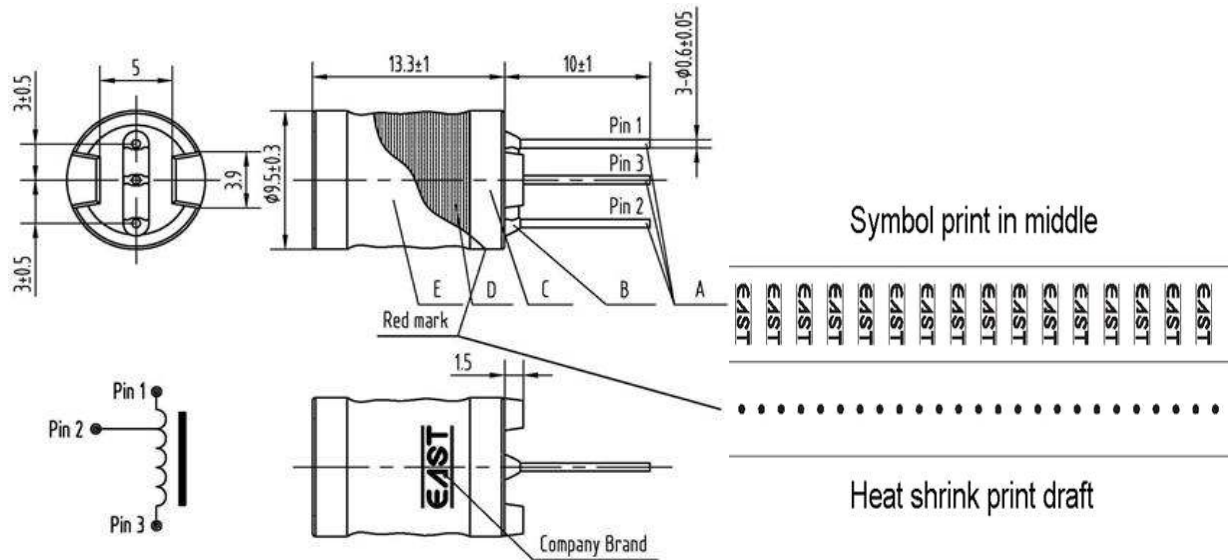
East is an ISO 9001 , IATF16949 and ISO 14001 Certified Company

Revision History

| Rev. | Description | Author/Date | Checked By | Approver |
|-------------|--|--------------------|-------------------|-----------------|
| 1.1 | Update wave soldering information | 吕文斌 2019-7-15 | 俞凯 | 王建成 |
| 1.09 | Operation temperature extend to -40°C - 85°C | 吕文斌 2017-12-8 | 俞凯 | 王建成 |
| 1.08 | Low operation temperature extend to -30 Degree C | 吕文斌 2017-10-25 | 俞凯 | 王建成 |

1. Part Number ELB-60

2. Dimension Drawing (Unit: mm)



| NO | A | B | C | D | E |
|------|-----|-------|--------------|------|---------------|
| NAME | PIN | EPOXY | FERRITE CORE | COIL | THERMOPLASTIC |

NOTE : The thermoplastic colour is dark green

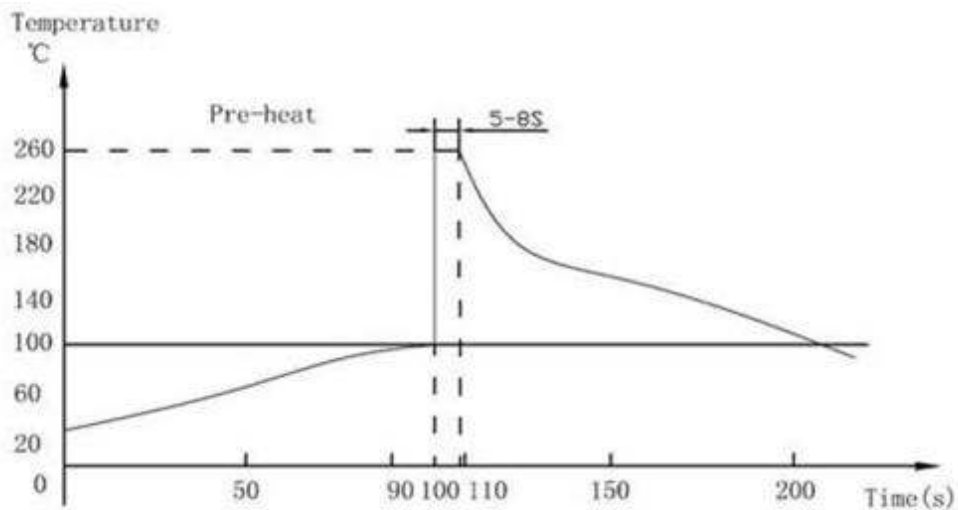
3. Specification

| No. | Item | Specification |
|------|-------------------------|---|
| 3-1 | Pin's Material & Length | Φ0.6 Cu/Sn pin1/10mm pin2/10mm pin3/10mm |
| 3-2 | Testing Frequency | 3000Hz |
| 3-3 | Coil Quality | ≥17.5 |
| 3-4 | DC Resistance | $R_{13} \leq 65\Omega$ $R_{12} \leq 32\Omega$ |
| 3-5 | Inductance | $L_{13} = 60 \pm 2$ mH $L_{12} = 21.5 \pm 1$ mH |
| 3-6 | Coil Circle Number | $N_{13} = 1200$ $N_{12} = 730$ |
| 3-7 | Coil Dimension | Φ0.1 |
| 3-8 | Coiling Sealing | Collating, Thermoplastic Sealing |
| 3-9 | Operating Temperature | -40~+85°C |
| 3-10 | Weight | 4g |

4. Lead-Free Wave Soldering heat resistance

a) Pre-heating conditions shall be $+60^{\circ}\text{C} \sim 100^{\circ}\text{C}$ for 40~60 seconds. (See Figure)

b) Heating conditions shall be $+255^{\circ}\text{C} \sim 265^{\circ}\text{C}$ for 5~8 seconds. (See Figure)



Lead-Free wave soldering chart

5. Packing Information

Packing: 3000 pcs per export carton

Carton Size: 30.5× 23.5× 15.5 cm

G. Weight: 13 kgs N. Weight: 12 kgs