

1742543-1 ✓ ACTIVE

FASTON | FASTON 250

TE Internal #: 1742543-1

Quick Disconnects, Receptacle, 18 – 12 AWG Wire Size, .82 – 3.31 mm² Wire Size, Mating Tab Width 6.35 mm [.25 in], Flag, Steel, FASTON 250

[View on TE.com >](#)



Terminals & Splices > Quick Disconnects



Quick Disconnect Terminal Type: **Receptacle**

Wire Size: **.82 – 3.31 mm²**

Mating Tab Width: **6.35 mm [.25 in]**

Mating Tab Thickness: **.81 mm [.032 in]**

Features

Product Type Features

Insertion Force	Low
-----------------	-----

Configuration Features

Connection Capacity	Single
---------------------	--------

Compatible With Wire & Cable Type	Discrete Wire
-----------------------------------	---------------

Contact Features

Quick Disconnect Terminal Type	Receptacle
--------------------------------	------------

Mating Tab Width	6.35 mm [.25 in]
------------------	------------------

Mating Tab Thickness	.81 mm [.032 in]
----------------------	------------------

Terminal Orientation	Flag
----------------------	------

Contact Base Material	Steel
-----------------------	-------

Terminal Plating Material	Nickel
---------------------------	--------

Crimp Type	Tab-Lok
------------	---------

Barrel Type	Open
-------------	------

Termination Features



Product Terminates To	Wire & Cable
-----------------------	--------------

Mechanical Attachment

Wire Insulation Support	With
Mating Retention Type	Dimple

Dimensions

Terminal Material Thickness	.41 mm[.016 in]
Product Length	17.02 mm[.67 in]
Compatible Insulation Diameter Range	2.79 – 5.33 mm[.11 – .21 in]
Wire Size	.82 – 3.31 mm ²

Usage Conditions

Insulation Option	Uninsulated
Operating Temperature Range	-40 – 250 °C[-40 – 482 °F]

Industry Standards

Agency/Standard	RU (UL Component Program), UL
Approved Standards	UL E66717

Packaging Features

Packaging Quantity	3500
Packaging Method	Strip/Reel

Other

Line	Premier
Terminals & Splices Comment	Stress Relieved.

Product Compliance

For compliance documentation, visit the product page on [TE.com](https://www.te.com)>

EU RoHS Directive 2011/65/EU	Compliant
EU ELV Directive 2000/53/EC	Compliant
China RoHS 2 Directive MIIT Order No 32, 2016	No Restricted Materials Above Threshold
EU REACH Regulation (EC) No. 1907/2006	Current ECHA Candidate List: JUNE 2023 (235) Candidate List Declared Against: JAN 2023 (233) Does not contain REACH SVHC
Halogen Content	Low Halogen - Br, Cl, F, I < 900 ppm per homogenous material. Also BFR/CFR/PVC



Free

Solder Process Capability

Not applicable for solder process capability

Product Compliance Disclaimer

This information is provided based on reasonable inquiry of our suppliers and represents our current actual knowledge based on the information they provided. This information is subject to change. The part numbers that TE has identified as EU RoHS compliant have a maximum concentration of 0.1% by weight in homogenous materials for lead, hexavalent chromium, mercury, PBB, PBDE, DBP, BBP, DEHP, DIBP, and 0.01% for cadmium, or qualify for an exemption to these limits as defined in the Annexes of Directive 2011/65/EU (RoHS2). Finished electrical and electronic equipment products will be CE marked as required by Directive 2011/65/EU. Components may not be CE marked. Additionally, the part numbers that TE has identified as EU ELV compliant have a maximum concentration of 0.1% by weight in homogenous materials for lead, hexavalent chromium, and mercury, and 0.01% for cadmium, or qualify for an exemption to these limits as defined in the Annexes of Directive 2000/53/EC (ELV). Regarding the REACH Regulation, the information TE provides on SVHC in articles for this part number is based on the latest European Chemicals Agency (ECHA) 'Guidance on requirements for substances in articles' posted at this URL: <https://echa.europa.eu/guidance-documents/guidance-on-reach>

Compatible Parts



TE Part # 1969507-9
250 FASTON HSG.,FLAG,REC.,1 POS, NATRUAL



TE Part # 2238142-1
250 FASTON,FLAG,REC.,22-16 AWG, NPST



TE Part # 1969507-2
250 FASTON HSG.,FLAG,REC.,1 POS, NATRUAL



TE Part # 1852633-1
EAPOHB160TABLOCK1800 LM/G-HINGE BAR



TE Part # 1852895-1
HDM EMPO K-HINGE BAR



TE Part # 2390747-1
250 FASTON FLAG HOUSING 1P, NAT



TE Part # 2390748-1
250 FASTON FLAG HOUSING 2P, NAT



TE Part # 2390748-2
250 FASTON FLAG HOUSING 2P, BLUE



TE Part # 2390748-3
250 FASTON FLAG HOUSING 2P, RED



TE Part # 687395-6
HDM HBEAPR160T180OTSA



TE Part # 565504-1
STD HBEMPR160T180OK



TE Part # 565504-3
STD HBEMPR160T220OK

Also in the Series | **FASTON 250**



Compression Connectors(4)



Crimp Terminal Housings(142)



Insertion & Extraction Tools(6)



Magnet Wire Terminals(1)



PCB Terminals(135)



Quick Disconnects(445)



Splices(4)

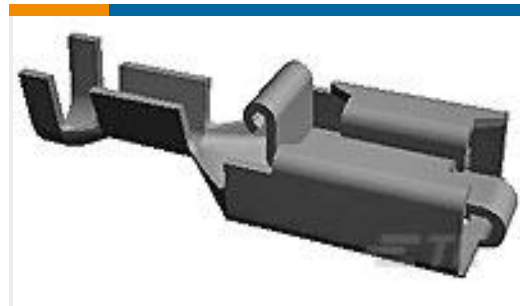
Customers Also Bought



TE Part #521597-2
ULTRA-POD 187 ASY REC 18-14 TPBR



TE Part #2238041-1
187 FASTON,REC.,20-16 AWG,NPST



TE Part #154718-1
250 PL MKI REC. 18-14AWG BR



TE Part #63604-1
250 FASTON FLAG REC 18-12 AWG NPST



TE Part #1742883-1
187 FASTON,REC.,20-16 AWG,NPST



TE Part #687392-9
HB 9EAPR140T1400 G



TE Part #1852633-1
EAPOHB160TABLOCK1800 LM/G-HINGE BAR



TE Part #680563-1
HDM 9EMPO140T1400 T&G



TE Part #687394-8
HB 9EAPR140T1400 G

Documents



Product Drawings

[250 FASTON,FLAG,REC.,18-12 AWG,NPST](#)

English

CAD Files

[3D PDF](#)

3D

Customer View Model

[ENG_CVM_CVM_1742543-1_A.2d_dxf.zip](#)

English

Customer View Model

[ENG_CVM_CVM_1742543-1_A.3d_igs.zip](#)

English

Customer View Model

[ENG_CVM_CVM_1742543-1_A.3d_stp.zip](#)

English

By downloading the CAD file I accept and agree to the [Terms and Conditions](#) of use.

Datasheets & Catalog Pages

[82004 FASTON Terminals \(Insulated and Uninsulated\) Catalog - FASTON Receptacles Section](#)

English

[1-1773948-2 Standard Line FASTON Receptacles QRG](#)

English

[Introductory Flyer - Low Insertion Force FASTON Terminals](#)

English

Product Specifications

[Application Specification](#)

English

Product Environmental Compliance

[TE Material Declaration](#)

English