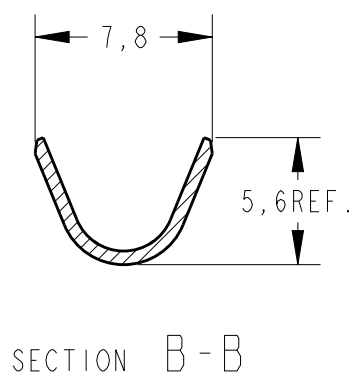
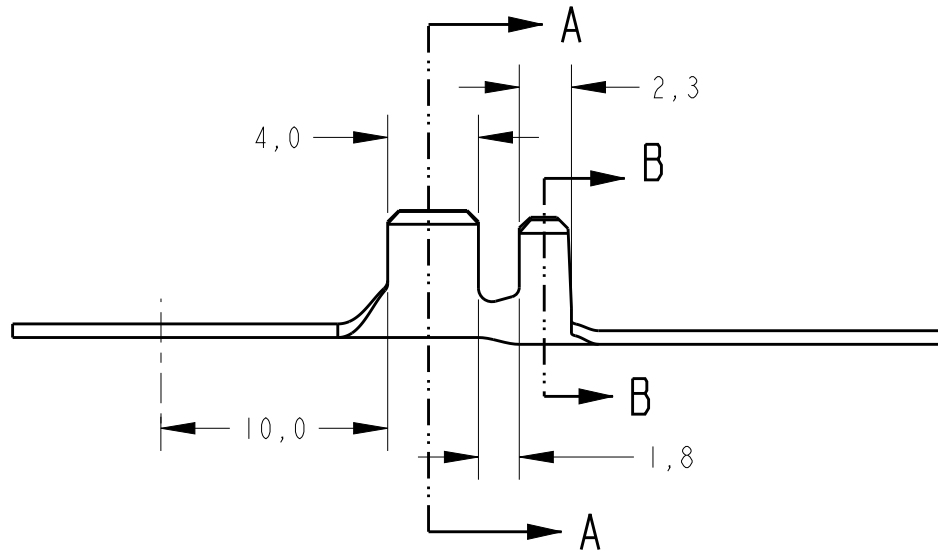
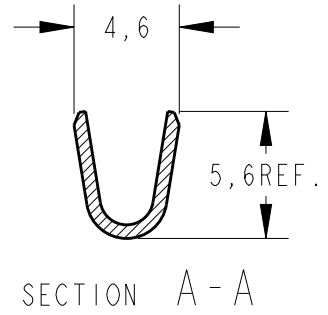
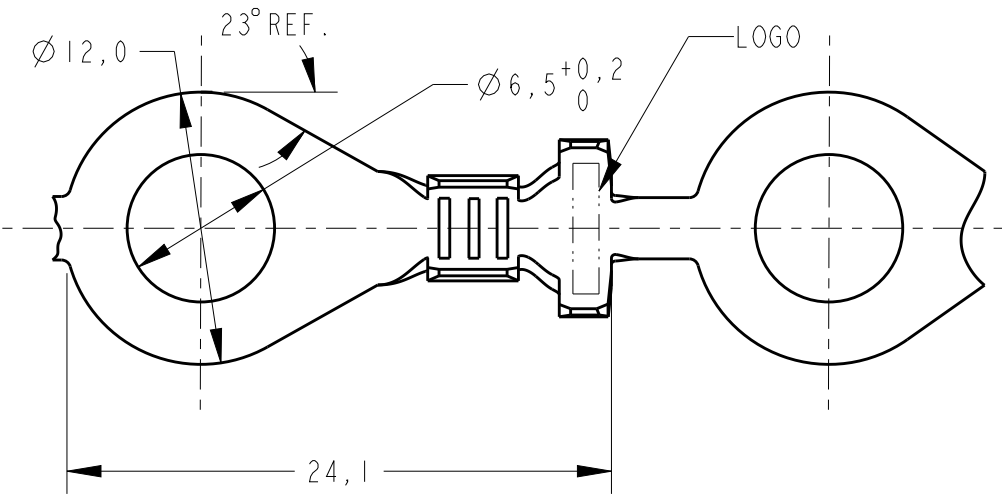



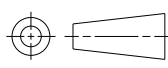
REVISIONS					
P	LTR	DESCRIPTION	DATE	DWN	APVD
	A	REV. BY ECO 16-006124	10JUN2016	HC	WLS



INS. RANGE
 $\varnothing 3,3-4,5\text{mm}$
 WIRE RANGE
 $2,5-4,0\text{mm}^2$

OBSOLETE	TIN PLATED	PH. BRONZE	881000 4
OBSOLETE		PH. BRONZE	881000 3
OBSOLETE	TIN PLATED	BRASS	881000 2
		BRASS	881000-1
	FINISH	MATERIAL	PART NUMBER

20
 RELEASED FOR PUBLICATION
 ALL RIGHTS RESERVED.
 BY -
 COPYRIGHT 20

DIMENSIONS: mm	DWN H.C. CANTERI 10JUN2016	MATERIAL TBD	FINISH -
TOLERANCES UNLESS OTHERWISE SPECIFIED:	CHK W.L. STEFANI 10JUN2016	 TE Connectivity	
0 PLC \pm	APVD -		
1 PLC $\pm 0,3$	PRODUCT SPEC -	NAME RING TONGUE	
2 PLC \pm	APPLICATION SPEC -	SIZE A4	RESTRICTED TO -
3 PLC \pm	WEIGHT -	CAGE CODE -	DRAWING NO C-881000
4 PLC \pm			
ANGLES $\pm 1^\circ$			
	CUSTOMER DRAWING	SCALE 3:1	SHEET 1 OF 1
			REV A