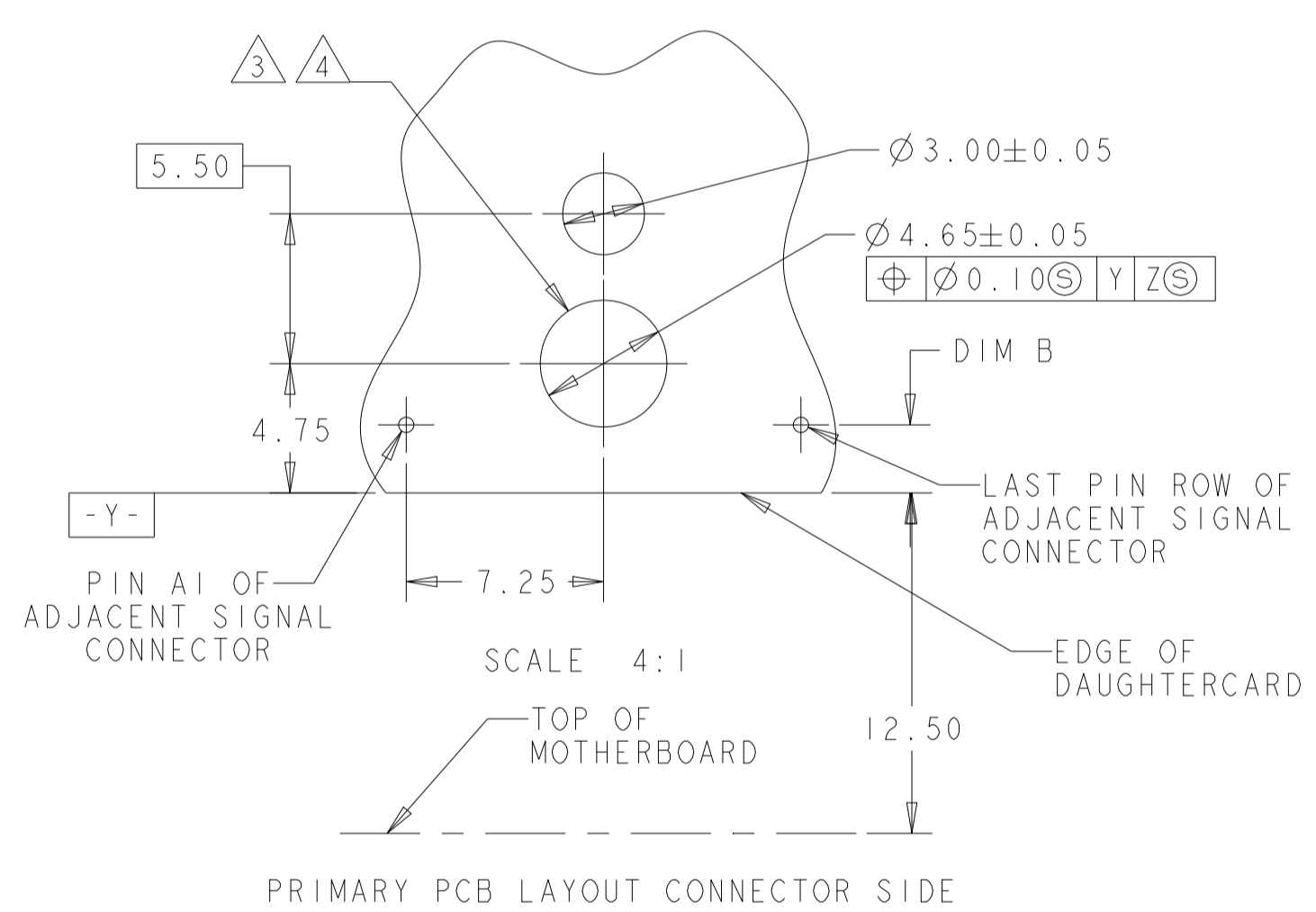
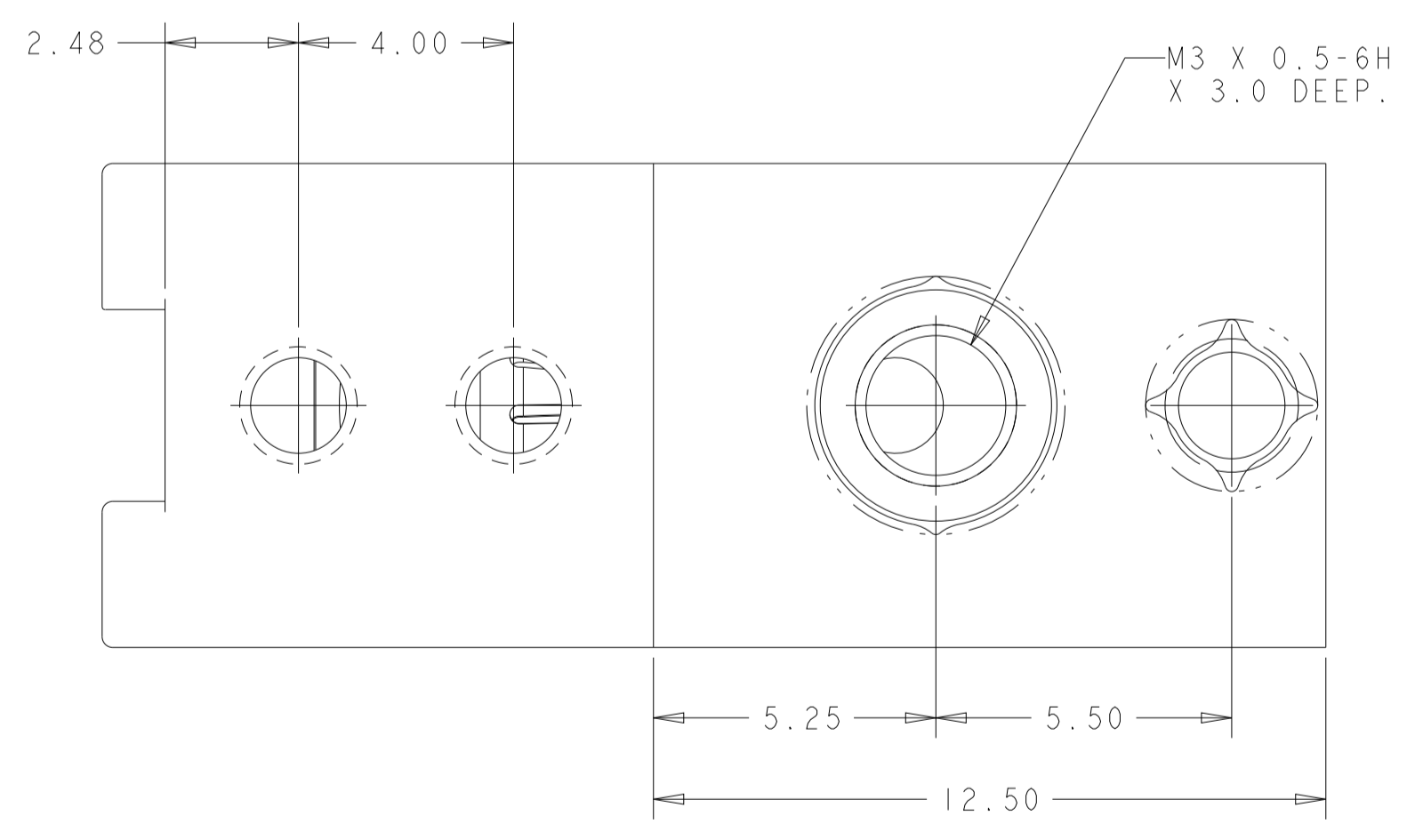
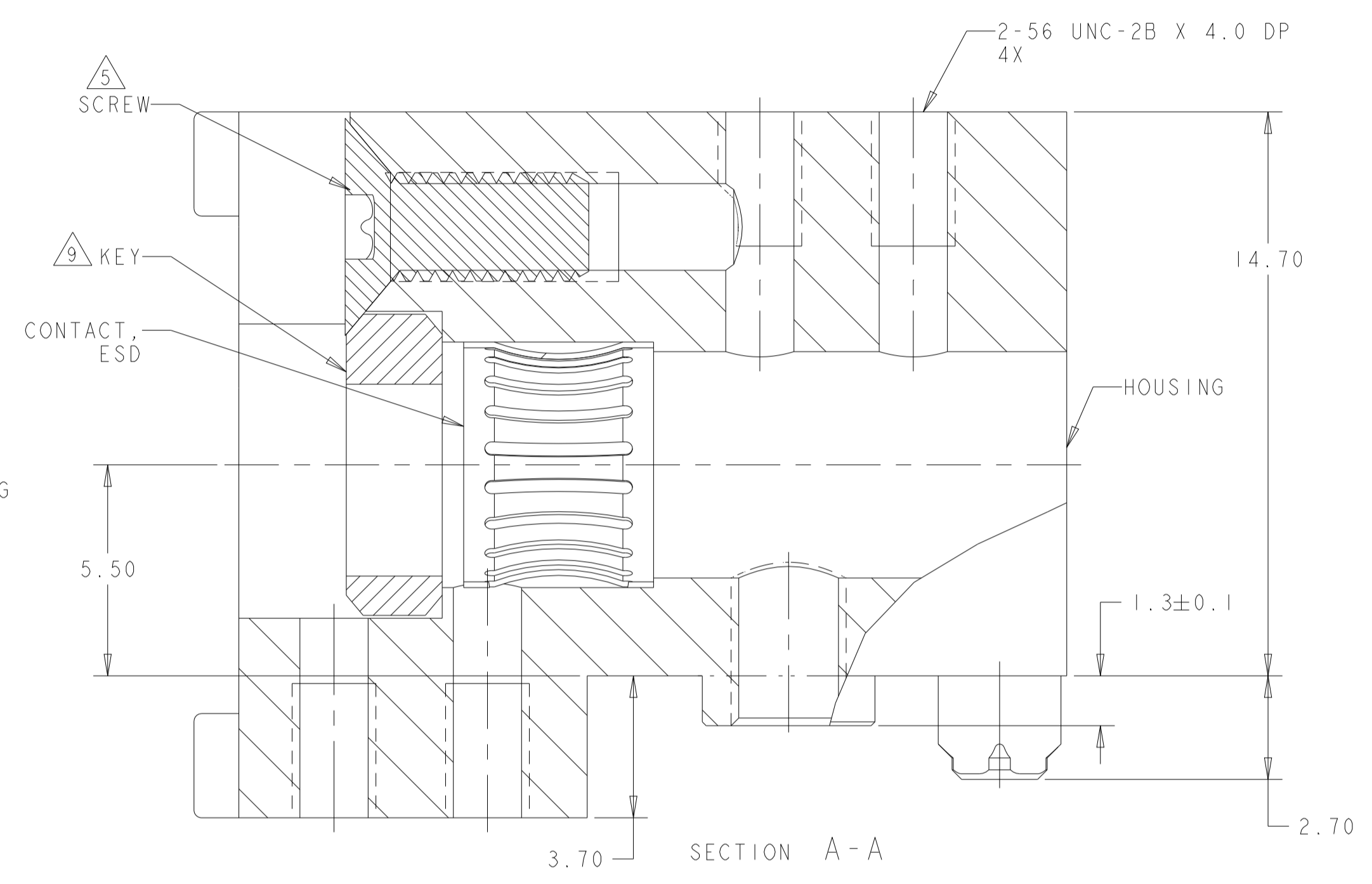
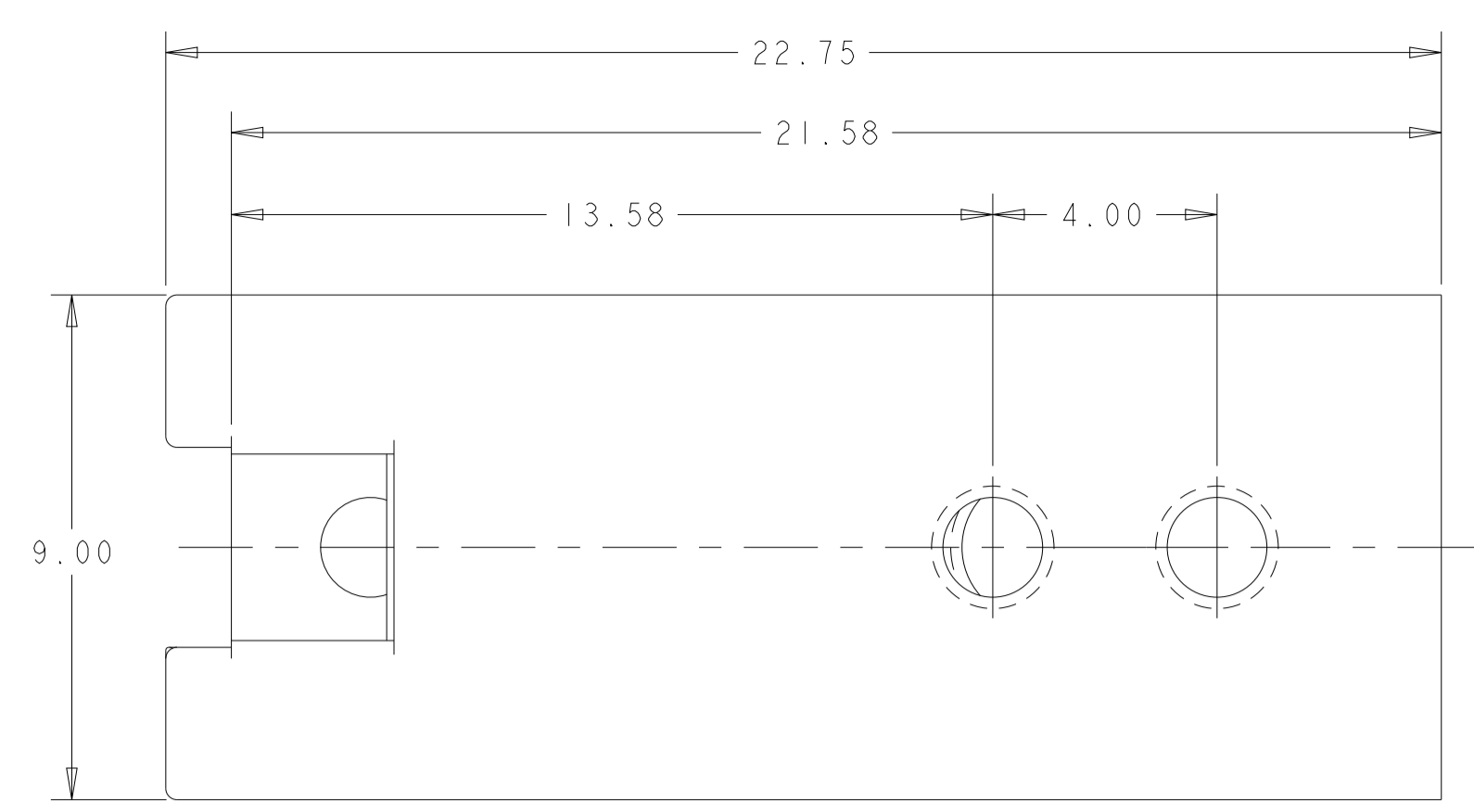
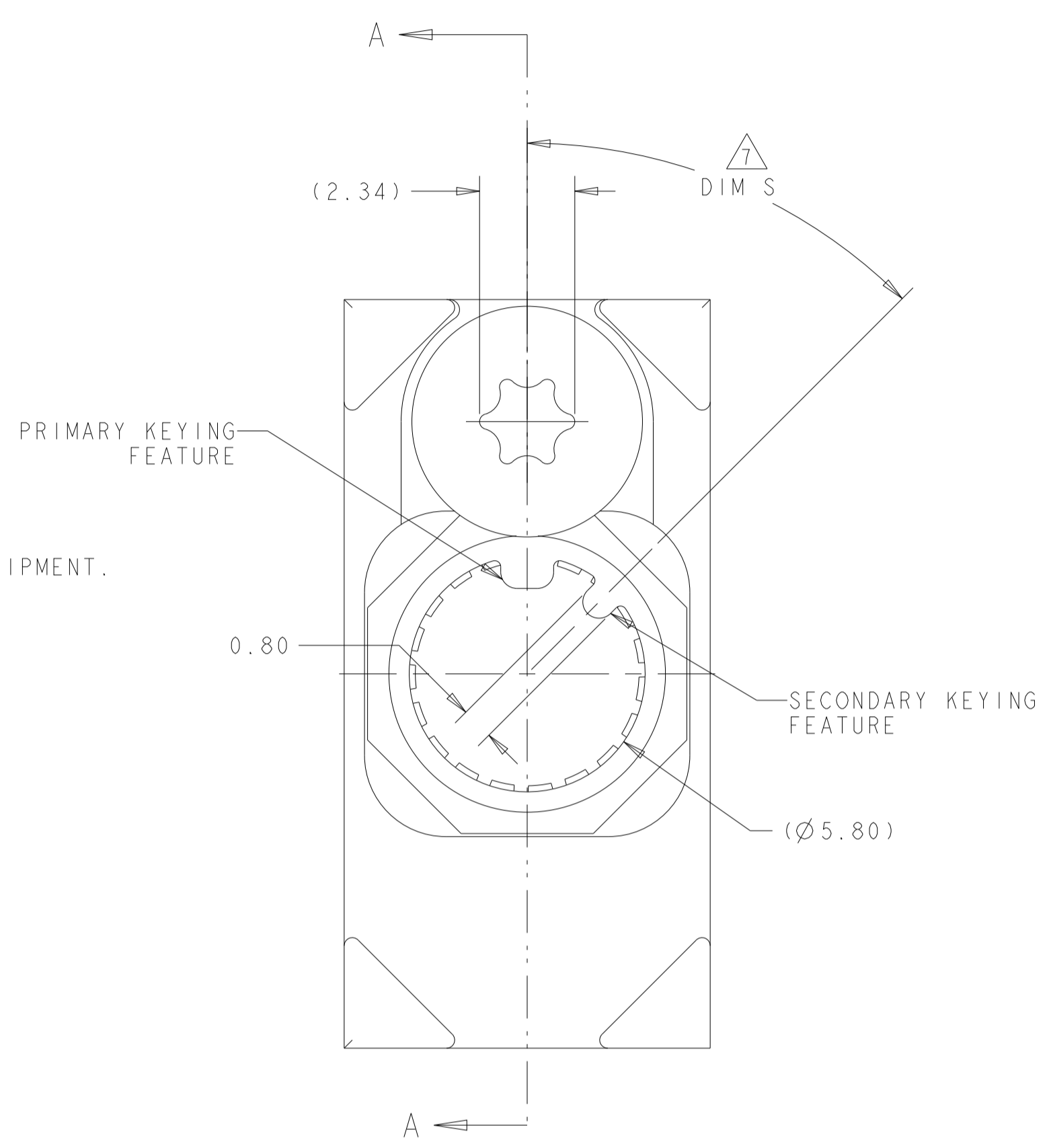
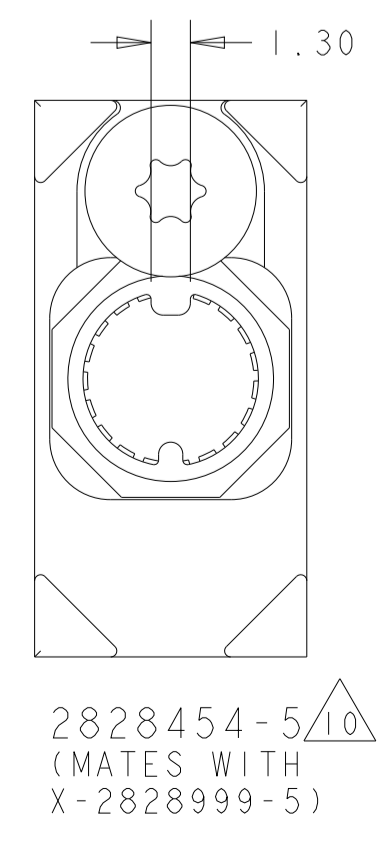
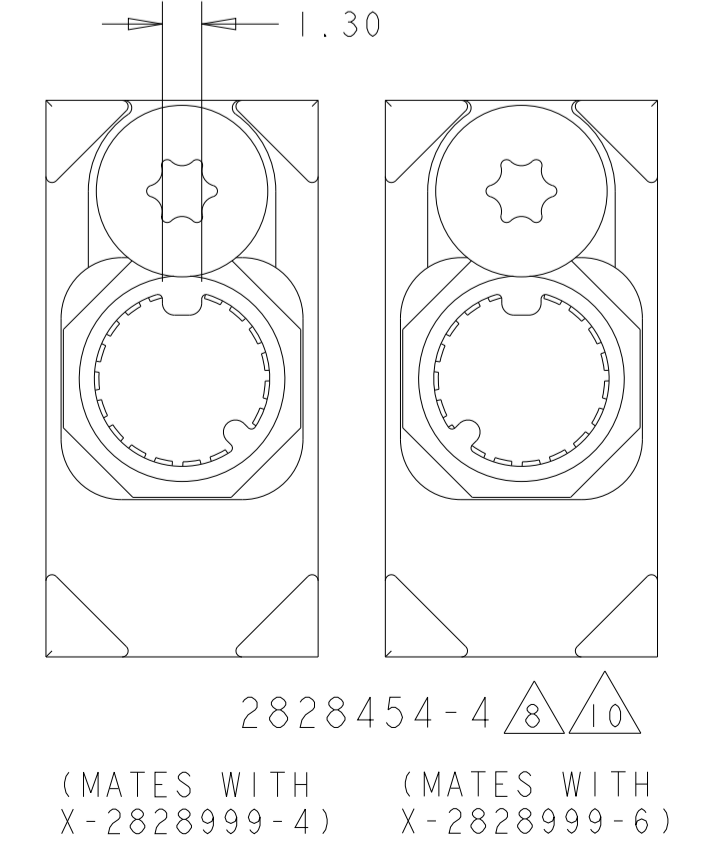
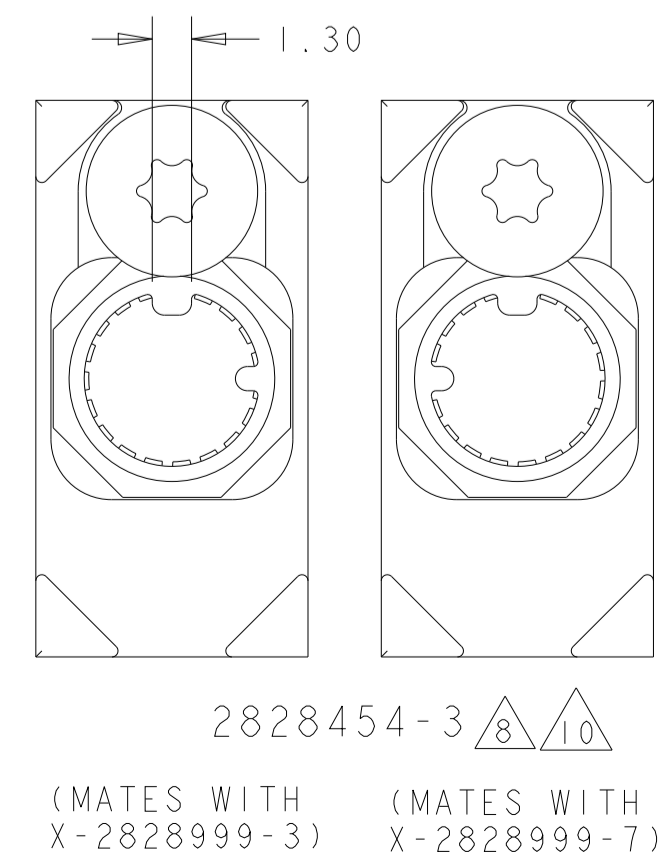
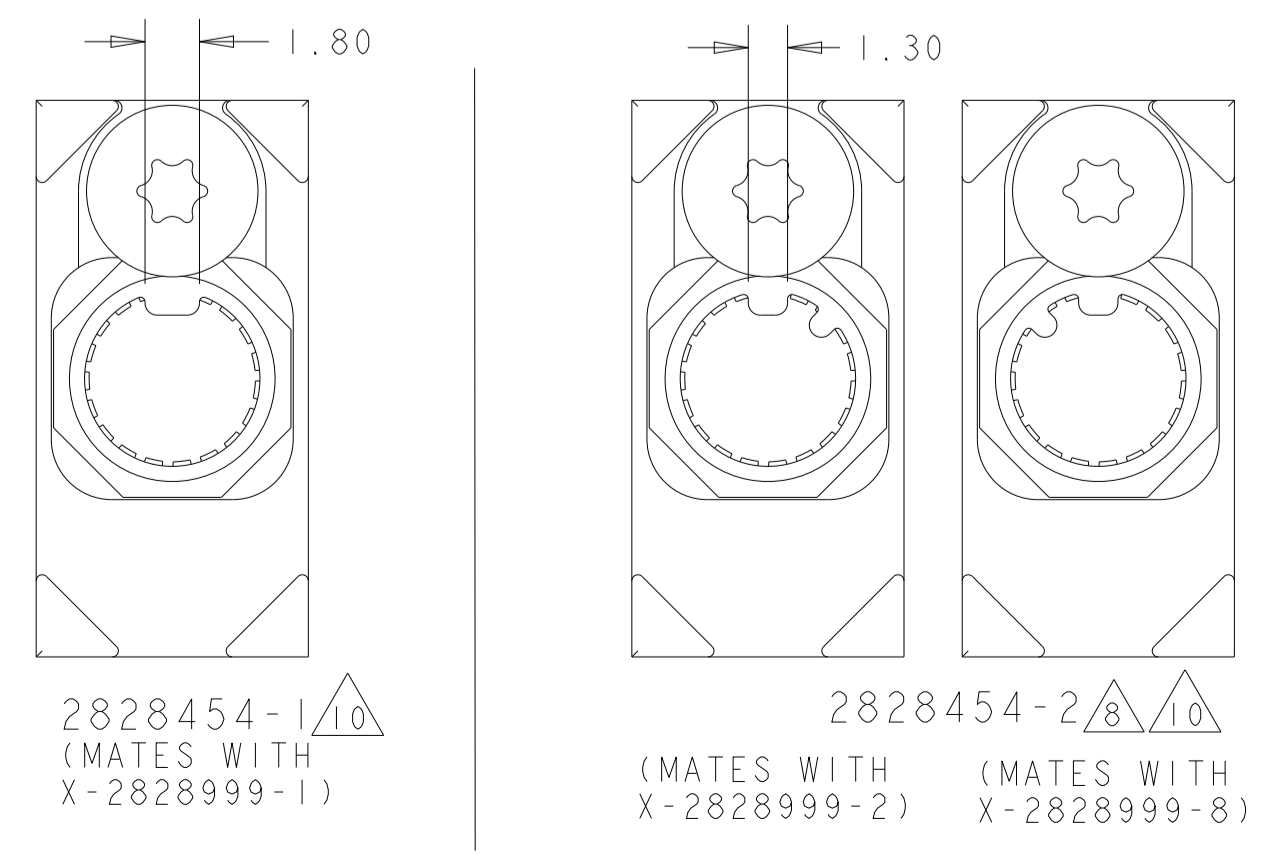


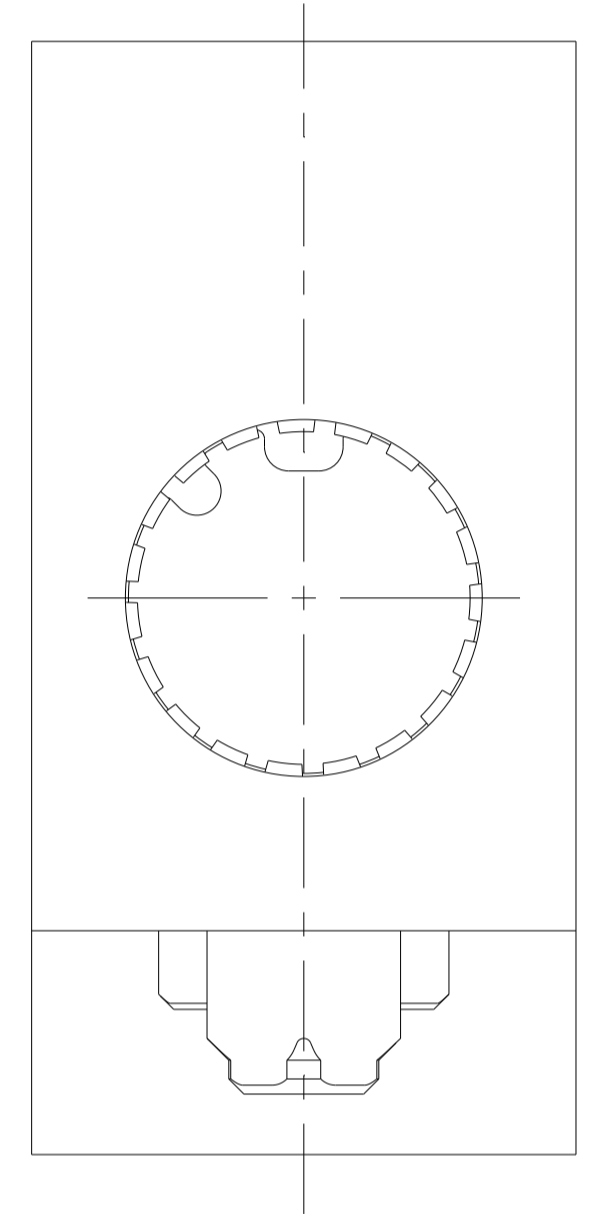
- 1 MATERIAL: HOUSING: ALUMINUM 6061.
CONTACT: BeCu
KEY: STAINLESS STEEL
- 2 FINISH:
HOUSING: 0.025 MIN ELECTROLESS NICKEL
PER AMS-C-26074, GRADE A, CLASS 4.
CONTACT: 1.27µm MIN Au OVER 1.02µm MIN
NICKEL.
- 3 HOLE FOR POSITIVE RETENTION SCREW.
- 4 GROUND PAD Ø5mm ON BOTH SIDE OF PCB.
- 5 4-40 UNC X .25 LG. HEXALOBULAR 100 DEGREE
FLAT HEAD SCREW OR TORX HEAD EQUIVALENT,
ACCORDING TO ISO 10664.
MATERIAL: STAINLESS STEEL, PASSIVATED
- 6 NO SECONDARY KEYING FEATURE
- 7 DENOTES RELATIONSHIP BETWEEN PRIMARY AND
SECONDARY KEYING FEATURE
- 8 KEY CAN BE REMOVED AND FLIPPED TO ACHIEVE DESIRED
ANGLE BETWEEN PRIMARY AND SECONDARY KEYS
- 9 KEY CAN BE ROTATED IN INCREMENTS OF 45° CREATING 8
POSSIBLE KEYING VARIATIONS FOR 2828454-1 AND
2828454-5 AND 16 POSSIBLE VARIATIONS FOR 2828454-2,
2828454-3, AND 2828454-4.
- 10 TE PREINSTALL THE CROWN BAND ESD, KEYED RING ANGLE SETTING.
AND SCREW INSTALL INTO THE GUIDE MODULE HOUSING PRIOR TO SHIPMENT.
- 11. TORQUE FOR THE SCREW RANGE FROM 3.5 LB-IN TO 4.5 LB-IN MAX.



DIM B	PRODUCT
1.5	TIER 2 (7-ROW)
2.25	TIER 2
2.5	TIER 1



REVISIONS				
P	LTN	DESCRIPTION	DATE	APPV
A		RELEASED PER ECO 19-001328	1-30-19	CT DH
B		REV PER ECN-23-195582	15MAR2023	JAB DH



180°	2828454-5
135° OR 225° ⁸	2828454-4
90° OR 270° ⁸	2828454-3
45° OR 315° ⁸	2828454-2
⁶	2828454-1
S	PART NUMBER

THIS DRAWING IS A CONTROLLED DOCUMENT.

OWN: K. MILLER 03DEC2015
CHK: A. TSANG 03DEC2015
APPV: D. HOANG 03DEC2015

DIMENSIONS: mm
TOLERANCES UNLESS OTHERWISE SPECIFIED:
0 PLC ±.5
1 PLC ±0.5
2 PLC ±0.13
3 PLC ±.1
4 PLC ±.1
ANGLES ±.1

MATERIAL: ¹
FINISH: ²

WEIGHT: ~ 6.9 g
CUSTOMER DRAWING

NAME: GUIDE MODULE, CLOCKABLE KEYED, 64 POSITION, CUSTOM APERTURE, RIGHT ANGLE, MULTIGIG
SIZE: A1
CAGE CODE: 100779
DRAWING NO: C=2828454

RESTRICTED TO: -
SCALE: 4:1
SHEET: 1 OF 1
REV: B

TE Connectivity