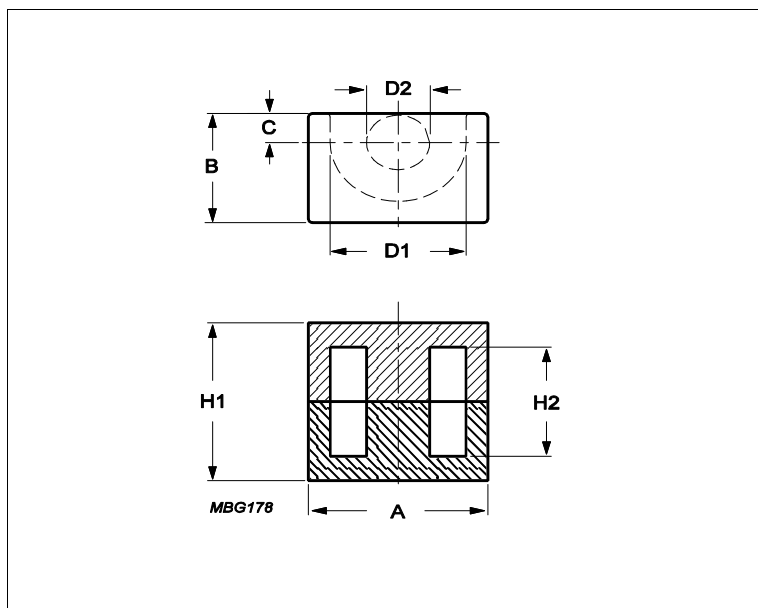


Core **EP13**



| Effective parameters | | | |
|----------------------|------------------|-------|------------------|
| | Parameter | Value | Unit |
| $\Sigma(I/A)$ | core factor (C1) | 1.24 | mm ⁻¹ |
| Ve | effective volume | 472 | mm ³ |
| Le | effective length | 24.2 | mm |
| Ae | effective area | 19.5 | mm ² |
| Amin | minimum area | 14.9 | mm ² |
| m | EP13 | ≈ 4.7 | g/set |

Dimensions for product: EP13

| | Nom | Tol + | Tol - | Max | Min | Unit |
|-----------|-------|-------|-------|-------|-------|------|
| A | 12.80 | 0.00 | 0.60 | 12.80 | 12.20 | mm |
| B | 9.00 | 0.00 | 0.40 | 9.00 | 8.60 | mm |
| C | 2.40 | 0.10 | 0.10 | 2.50 | 2.30 | mm |
| D1 | 9.70 | 0.60 | 0.00 | 10.30 | 9.70 | mm |
| D2 | 4.50 | 0.00 | 0.30 | 4.50 | 4.20 | mm |
| H1 | 13.00 | 0.00 | 0.30 | 13.00 | 12.70 | mm |
| H2 | 9.00 | 0.40 | 0.00 | 9.40 | 9.00 | mm |

Inductance factor

| Material | Value | Tol + | Tol - | Unit |
|----------|-------|-------|-------|-----------------------|
| 3C91 | 1700 | 25% | 25% | nH/turns ² |
| 3C96 | 1500 | 25% | 25% | nH/turns ² |
| 3F36 | 1000 | 25% | 25% | nH/turns ² |
| 3F46 | 660 | 25% | 25% | nH/turns ² |

Power loss: 3C91

| Measuring conditions | | | Max | Unit |
|----------------------|--------|-------|-------|-------|
| 100 kHz | 200 mT | 60 °C | 0.240 | W/set |

Power loss: 3C96

| Measuring conditions | | | Max | Unit |
|----------------------|--------|--------|-------|-------|
| 100 kHz | 200 mT | 100 °C | 0.210 | W/set |
| 400 kHz | 50 mT | 100 °C | 0.085 | W/set |

Power loss: 3F36

| Measuring conditions | | | Max | Unit |
|----------------------|--|--|-----|------|
|----------------------|--|--|-----|------|

Core **EP13**

| Power loss: 3F36 | | | | |
|----------------------|--------|--------|-------|-------|
| Measuring conditions | | | Max | Unit |
| 500 kHz | 50 mT | 100 °C | 0.071 | W/set |
| 500 kHz | 100 mT | 100 °C | 0.540 | W/set |
| Power loss: 3F46 | | | | |
| Measuring conditions | | | Max | Unit |
| 1000 kHz | 50 mT | 100 °C | 0.190 | W/set |
| 3000 kHz | 10 mT | 100 °C | 0.057 | W/set |

| Bsat | | | | | |
|----------------------|---------|--------|----------|-----|------|
| Measuring conditions | | | Material | Min | Unit |
| 25 kHz | 250 A/m | 100 °C | 3C91 | 320 | mT |
| 25 kHz | 250 A/m | 100 °C | 3C96 | 340 | mT |
| 25 kHz | 250 A/m | 100 °C | 3F36 | 340 | mT |
| 25 kHz | 250 A/m | 100 °C | 3F46 | 330 | mT |

| Accessories | | |
|--------------------|--|---------------|
| Ordering name | Description | Ordering code |
| CLA-EP13 | Clasp | 432202135051 |
| CLA-EP13-C | Clasp | 432202107341 |
| CLI-EP13 | Clip | 432202100761 |
| CPHS-EP13-1S-10P-Z | Coil former, termoplastic, horizontal, S | 432202106181 |
| CPHS-EP13-2S-10P-Z | Coil former, termoplastic, horizontal, S | 432202106191 |
| CSH-EP13-1S-10P | Coil former, termoset, horizontal | 432202135031 |
| CSH-EP13-1S-10P-T | Coil former, termoset, horizontal | 432202101601 |
| CSH-EP13-2S-10P | Coil former, termoset, horizontal | 432202135061 |
| CSHS-EP13-1S-10P-T | Coil former, termoset, horizontal, SMD | 432202103201 |
| SPR-EP13 | Spring | 432202135041 |