

CUSTOMER PRINT

PART NUMBER: W738X-XSG-P-3XX_CD

- NOTES:
1. CRIMP CONTACTS SUPPLIED UNASSEMBLED AND WITHOUT EPOXY BACKING.
 2. REFER TO DRAWING HPMISTD FOR CONTACT PATTERNS.
 3. HEX-NUT TORQUE: 8-10 IN-LB.
 4. DIMENSIONS ARE REFERENCE ONLY, IN INCHES [mm], WITHIN ±0.015 UNLESS OTHERWISE NOTED.

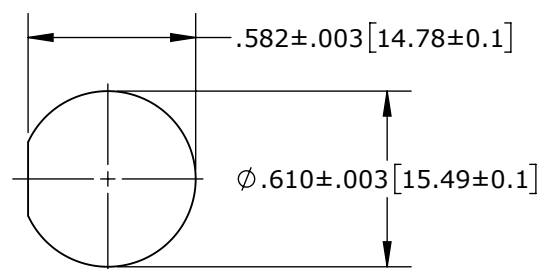
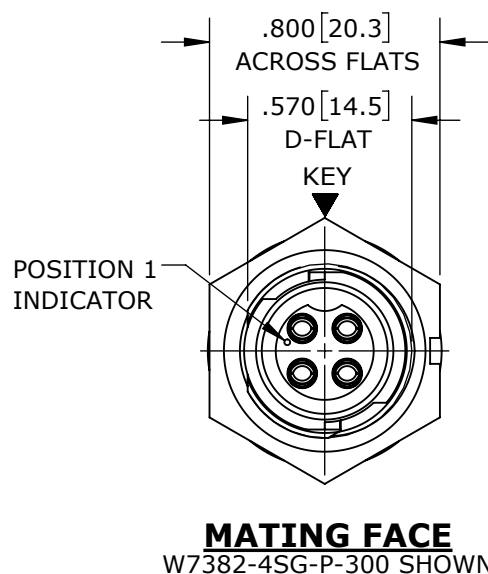
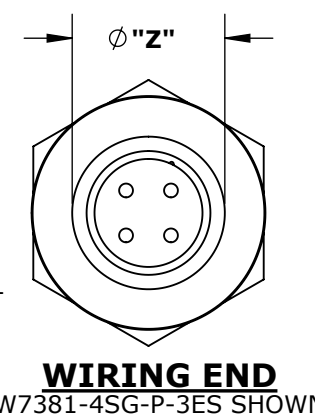
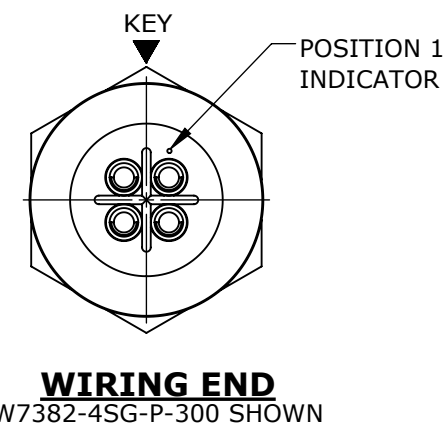
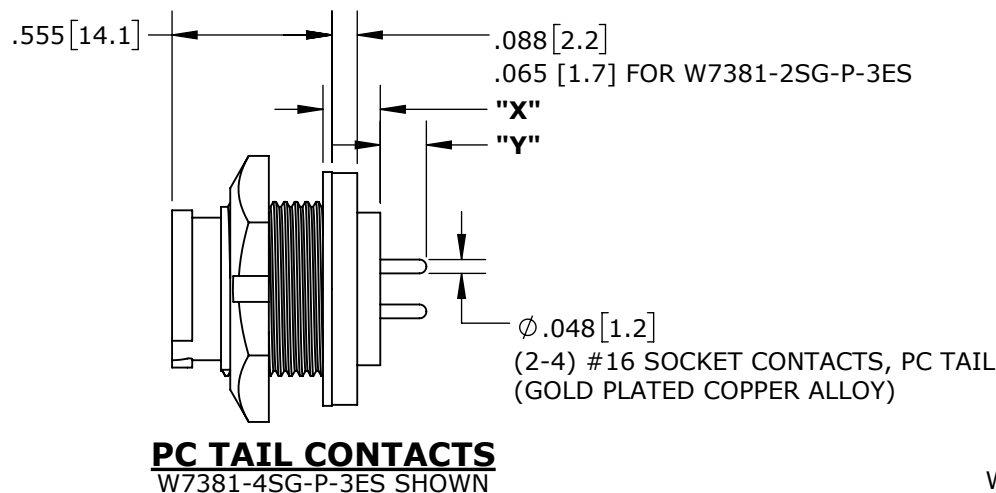
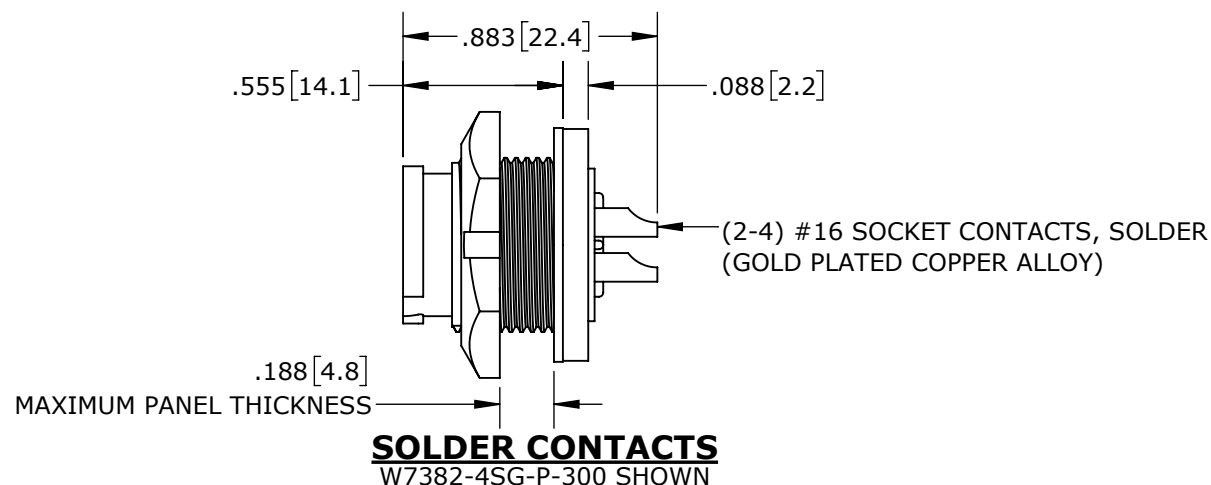
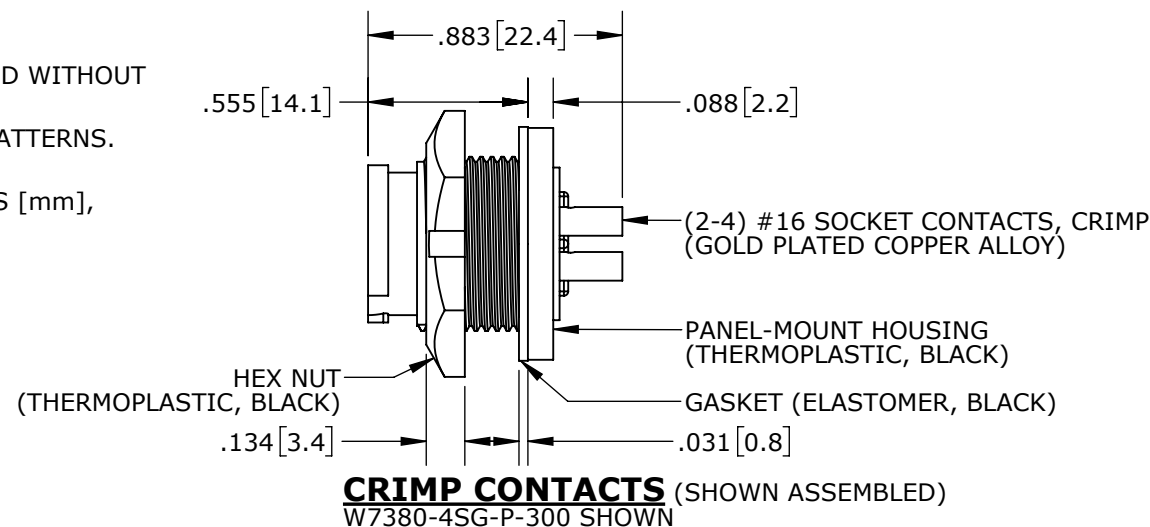
PANEL-MOUNT CONNECTOR PART NUMBERS:

W 7 3 8 X - X S G - P - 3XX

CONTACTS STYLE:
 0 = CRIMP
 2 = SOLDER
 1 = PC TAIL

OF CONTACTS:
 2-4 #16 SOCKETS

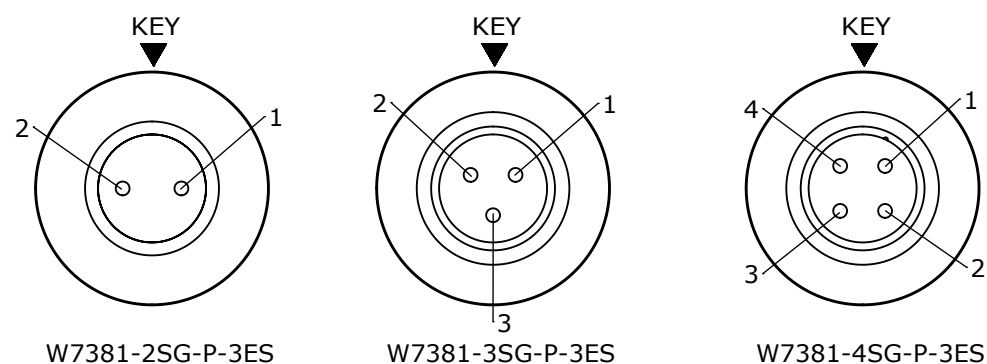
EPOXY BACKING:
 3ES = WITH EPOXY
 300 = WITHOUT EPOXY



PC CONTACT CONNECTORS DIMENSIONING:

PART NUMBER	"X"	"Y"	"Z"
W7381-2SG-P-300			
W7381-3SG-P-300	.171 [4.3]	.188 [4.8]	.530 [13.5]
W7381-4SG-P-300			
W7381-2SG-P-3ES	.193 [4.9]	.166 [4.2]	.465 [11.8]
W7381-3SG-P-3ES			
W7381-4SG-P-3ES	.199 [5.1]	.160 [4.1]	.530 [13.5]

RECOMMENDED PANEL CUTOUT



CONTACT ARRANGEMENTS (WIRING END SHOWN)

CUSTOMER APPROVAL

THIS DOCUMENT CONTAINS CONFIDENTIAL INFORMATION PROPRIETARY TO CONXALL CORPORATION. ANY REPRODUCTION, DISCLOSURE, OR USE OF THIS DOCUMENT /INFORMATION IS EXPRESSLY PROHIBITED UNLESS AUTHORIZED IN WRITING BY CONXALL CORPORATION.

APPROVED BY: _____
 DATE: _____

RoHS COMPLIANT

0A	PNK	01-12-18	PDR16014
REV.	INIT.	DATE	DESCRIPTION
	PNK	01-12-18	
ALL INFORMATION ILLUSTRATED IS THE PROPERTY OF "CONXALL CORPORATION". UNAUTHORIZED DUPLICATION OR DISTRIBUTION OF THIS DOCUMENT IS PROHIBITED.			
ALL UNITS ARE IN FEET, INCHES, FRACTION OF INCHES AND DECIMALS.		APPROVED BY: _____ DATE: _____	TITLE: PANEL-MOUNT CONNECTOR 2-4 #16SOCKET CONTACTS INSTA-CLICK™ MINI-CON-X STANDARD PRODUCT
SCALE	SIZE	SHEET	CUSTOMER: W738X-XSG-P-3XX
NTS	B	1 OF 1	
FILE:	DIRECTORY:	PART NUMBER:	REV
W738X-XSG-P-3XX_CD	SLW	W738X-XSG-P-3XX	0A