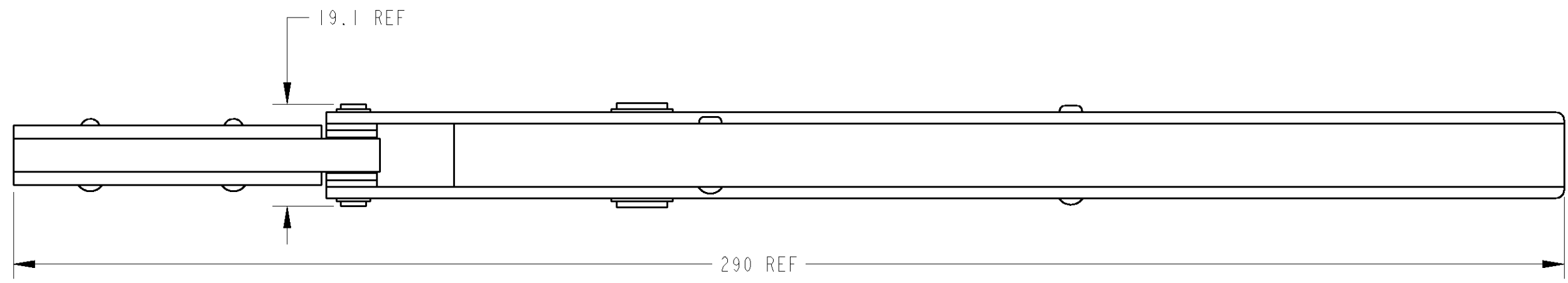
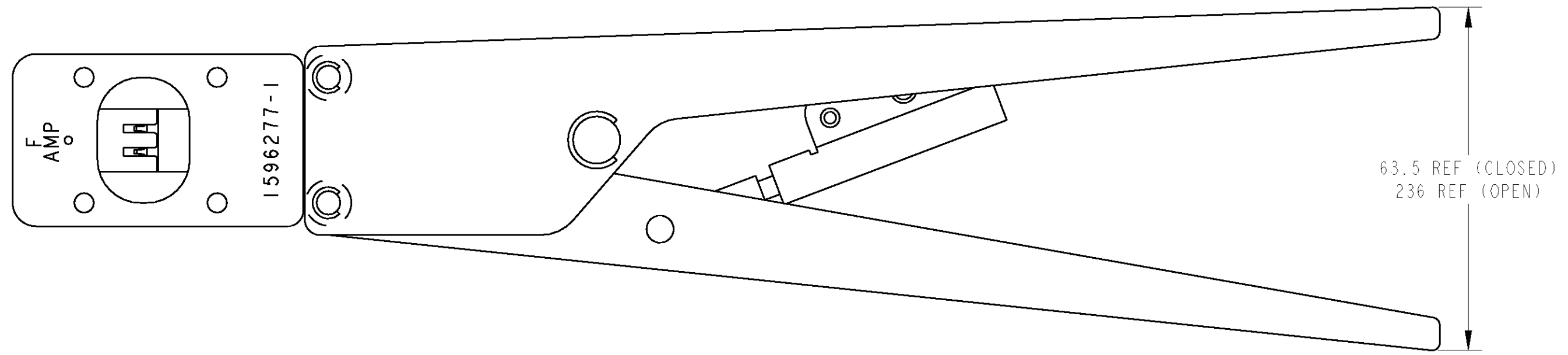


THIS DRAWING IS UNPUBLISHED. RELEASED FOR PUBLICATION 20
 © COPYRIGHT 20 BY TYCO ELECTRONICS CORPORATION. ALL RIGHTS RESERVED.

LOC	DIST	REVISIONS					
J	-	P	LTR	DESCRIPTION	DATE	DWN	APVD
		0		RELEASED FJCO-0164-03	20-Jun-03	J.K	S.Y
		01		CORRECTED INS RANGE FJCO-0195-03	02-Jul-03	J.K	S.Y



CRIMP SYMBOL	TERMINAL NO	WIRE SIZE AWG (mm ²)	INS RANGE (mm)	TERMINAL CH (mm)		IS NO	APPL SPEC	WEIGHT (g)
	L.P.			WIRE	INS			
圧着部記号	適用端子型番	電線サイズ	絶縁被覆径	圧着高さ		取扱説明書番号	取付適用規格	重量
	ハ"ラ状			芯線部	被覆部			
A	1717054-1	#22-20 (0.31-0.56)	1.5-1.9	0.87-0.97	2.60REF	411-78101	114-5306	550
B	1717055-1	#18 (0.76-0.89)	1.8-2.7	1.04-1.14	2.80REF			

THIS DRAWING IS A CONTROLLED DOCUMENT FOR TYCO ELECTRONICS CORPORATION. IT IS SUBJECT TO CHANGE AND THE CONTROLLING ENGINEERING ORGANIZATION SHOULD BE CONTACTED FOR THE LATEST REVISION.

DIMENSIONS: mm	TOLERANCES UNLESS OTHERWISE SPECIFIED:	DWN J.KOGA 20-Jun-03	Tyco Electronics AMP K.K. Kawasaki, Japan
	0 PLC ±- 1 PLC ±- 2 PLC ±- 3 PLC ±- 4 PLC ±- ANGLES ±-	CHK J.KOGA 20-Jun-03	
		APVD S.YABE 20-Jun-03	
MATERIAL	FINISH	PRODUCT SPEC -	NAME STRAIGHT ACTION HAND TOOL (GIC 3.5 Contact, #22-18)
		APPLICATION SPEC -	SIZE A3 CAGE CODE 00779 DRAWING NO C=1596277-1 RESTRICTED TO -
		WEIGHT -	CUSTOMER DRAWING SCALE - SHEET 1 OF 1 REV 01