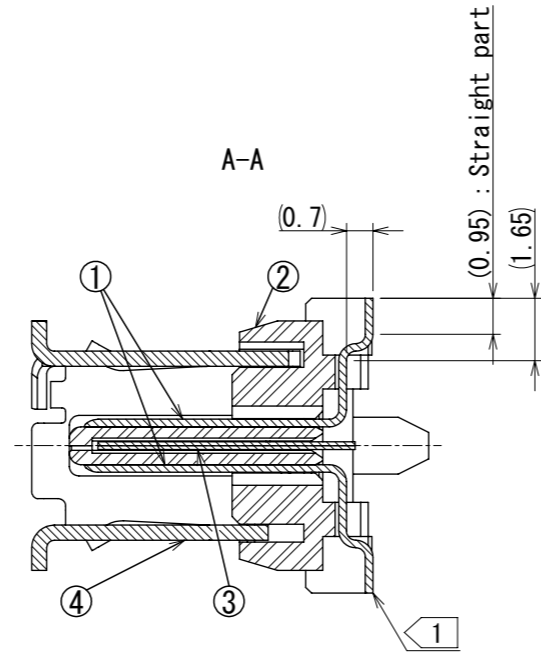
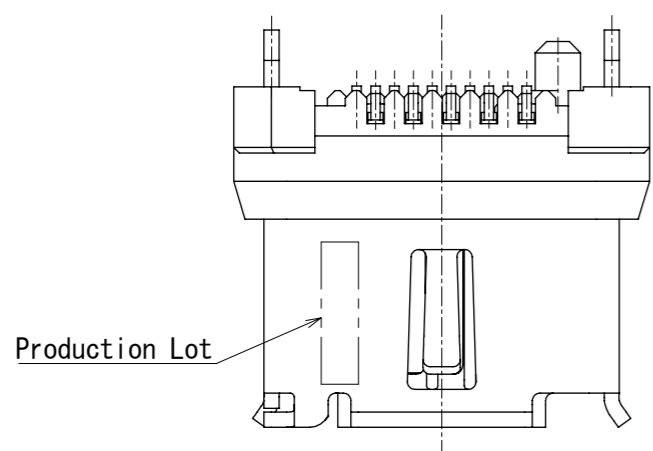
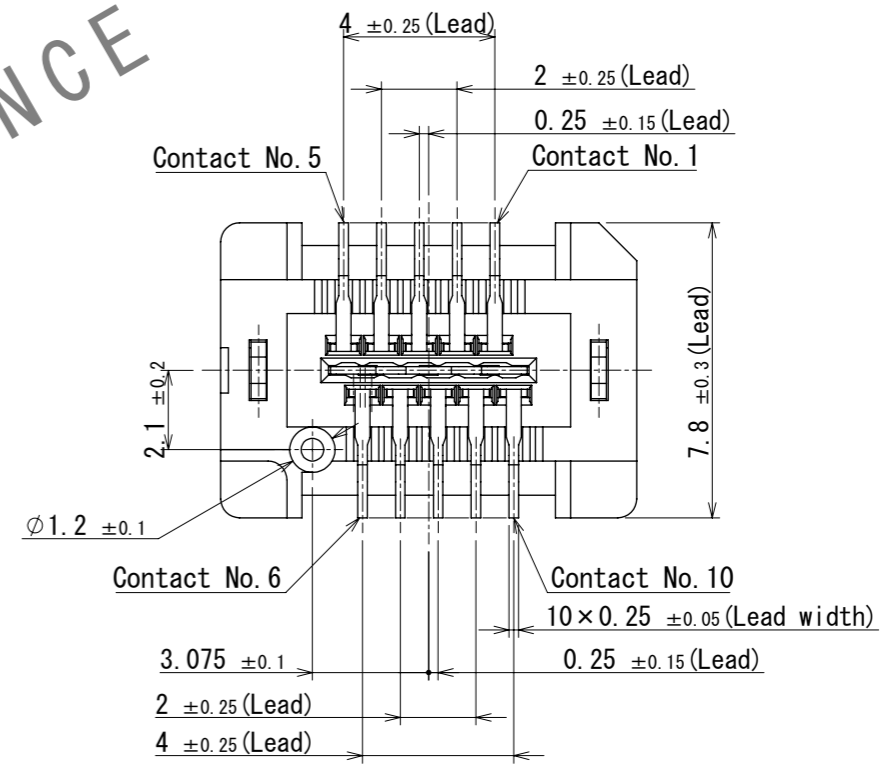
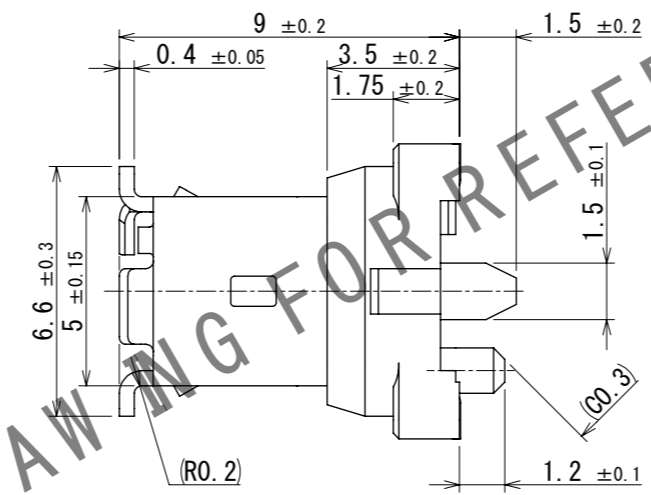
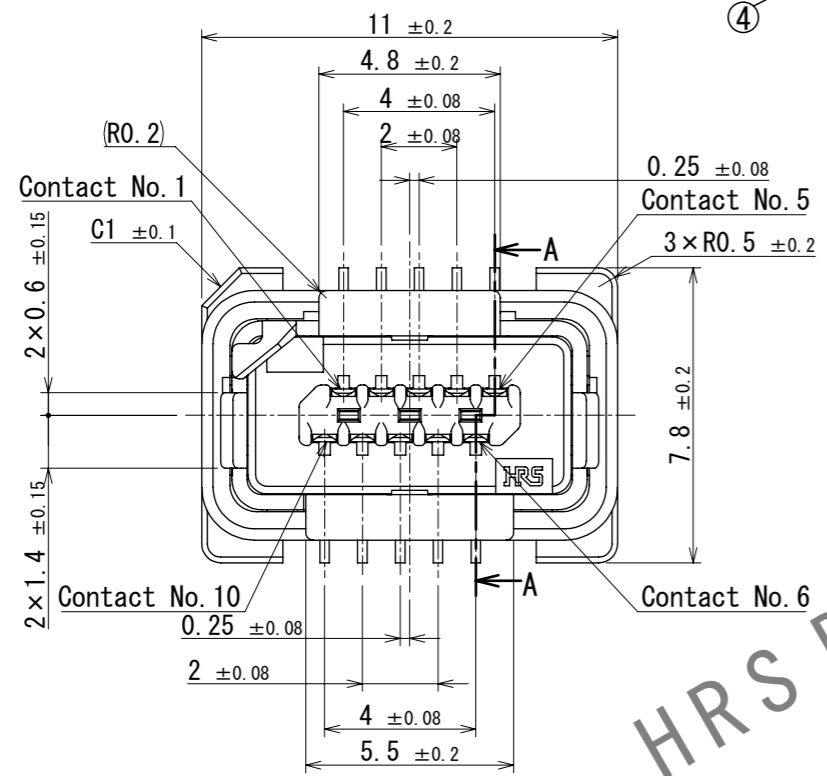


In case of consideration for using Autom otive equipment / device which demand high reliability, kindly contact our sales window correspondents.
 Jul11,2023 Copyright©2023 HIROSE ELECTRIC CO., LTD. All Rights Reserved.

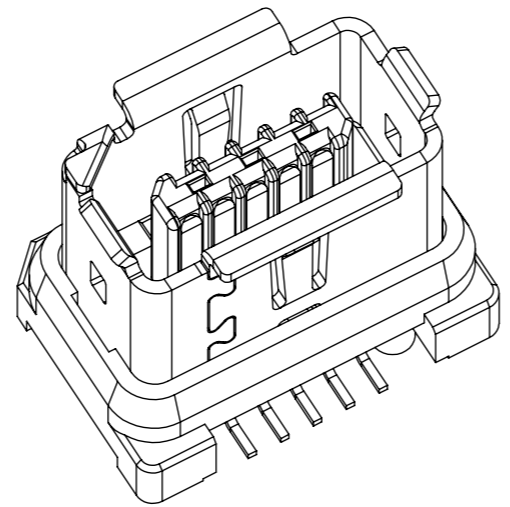
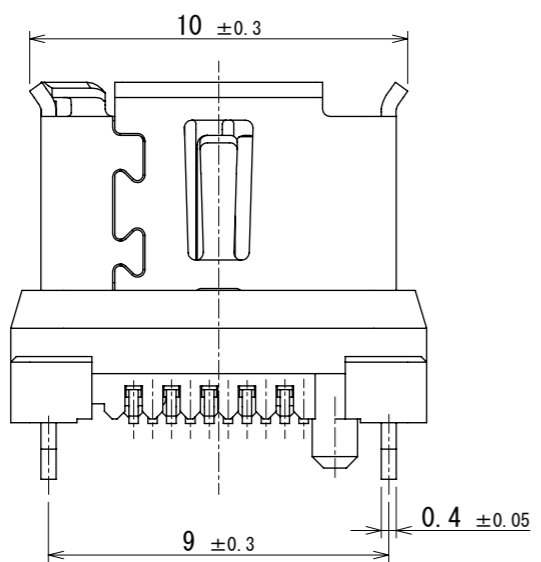


- Notes.
- ① Co-planarity is within 0.1 mm.
 2. As for part No.4 the performance remains good though there might be a difference in the plating luster between each plating lots.
 - ③ Per reel : 450 pcs.
The vacuum cap(part No.5) is attached to this product at delivery.
 - ④ Refer to the mated condition diagram for the panel thickness and layout.
 5. This product is mounted by reflow soldering.
Refer to specification sheet ELC-129412-01-00 for reflow soldering.



HRS DRAWING FOR REFERENCE

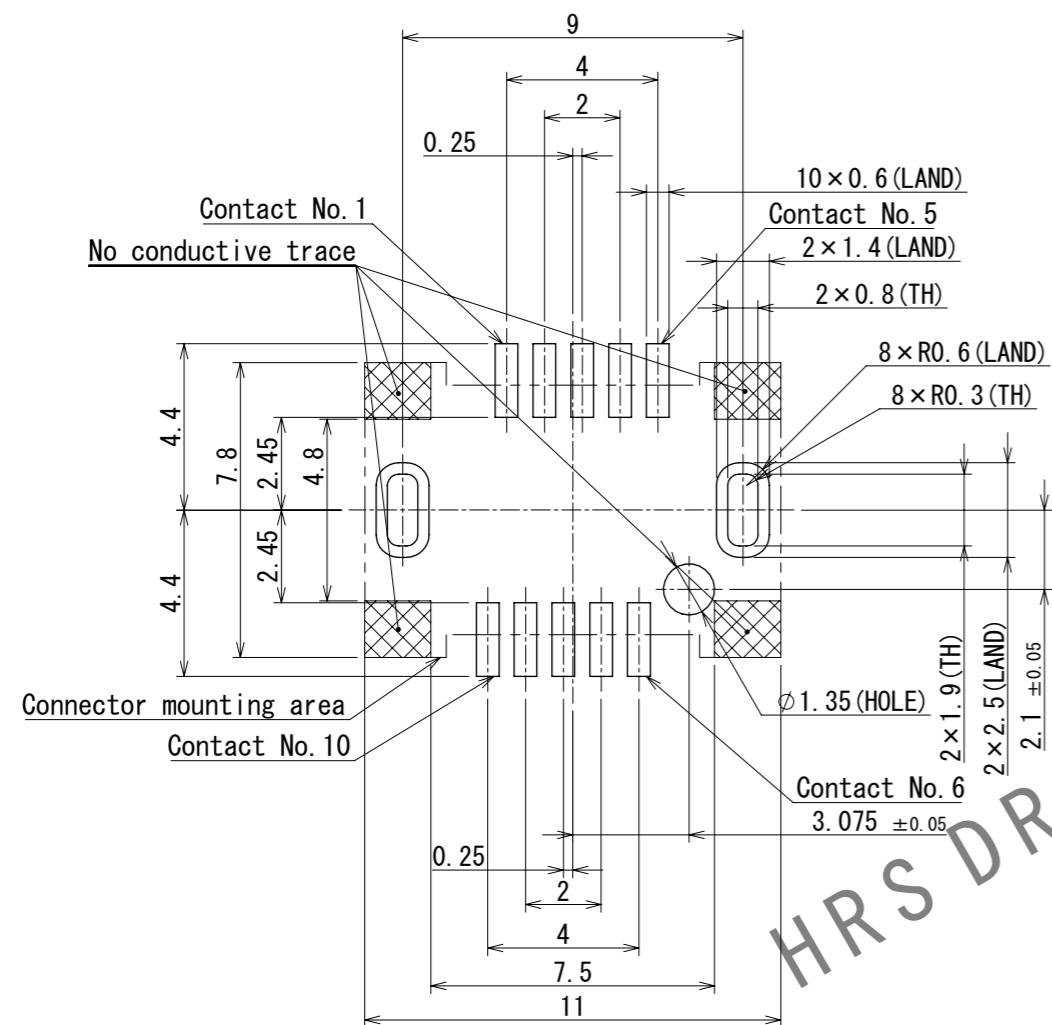
3D image



3	Stainless Steel		7	PET Δ				
2	PA	Gray, UL94V-0	6	PS				
1	Copper Alloy	Contact area : Palladium-Nickel 0.75 μ m+Gold 0.05 μ m min. Lead area : Gold 0.03 μ m min. Under plating : Nickel 1.27 μ m min.	5	PA	Black, UL94V-0			
			4	Stainless Steel	Surface : Tin 1 μ m min. Under plating : Nickel 0.2 μ m min.			
NO.	MATERIAL	FINISH	REMARKS	NO.	MATERIAL	FINISH	REMARKS	
UNITS		SCALE	COUNT	DESCRIPTION OF REVISIONS		DESIGNED	CHECKED	DATE
mm		5:1	Δ 5	DIS-E-00011281		SN. TOYOSHIMA	KI. KAGOTANI	2022.10.04
HRS HIROSE ELECTRIC CO., LTD.		APPROVED : KI. NAGANUMA	2018.06.28	DRAWING NO.		EDC-129412-01-00		
		CHECKED : KI. NAGANUMA	2018.06.28	PART NO.		IX80G-A-10P (01)		
		DESIGNED : YS. SAKODA	2018.06.28	CODE NO.		CL0251-0018-0-01		
		DRAWN : YS. SAKODA	2018.06.28					

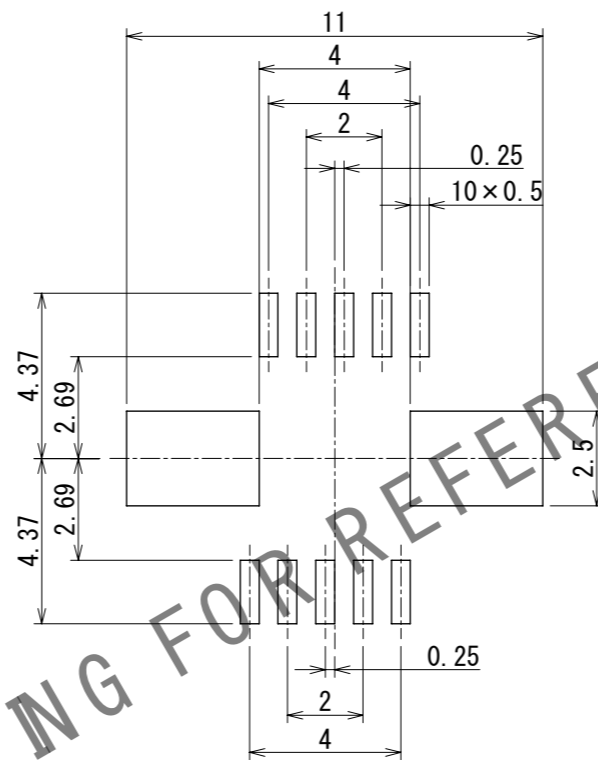
Jul11.2023 Copyright 2023 HRS ELECTRIC CO., LTD. All Rights Reserved.
 In case of consideration for using Automative equipment / device which demand high reliability, kindly contact our sales window correspondents.

Reference PCB Layout (Connector Mounting Side) (t=1.6)



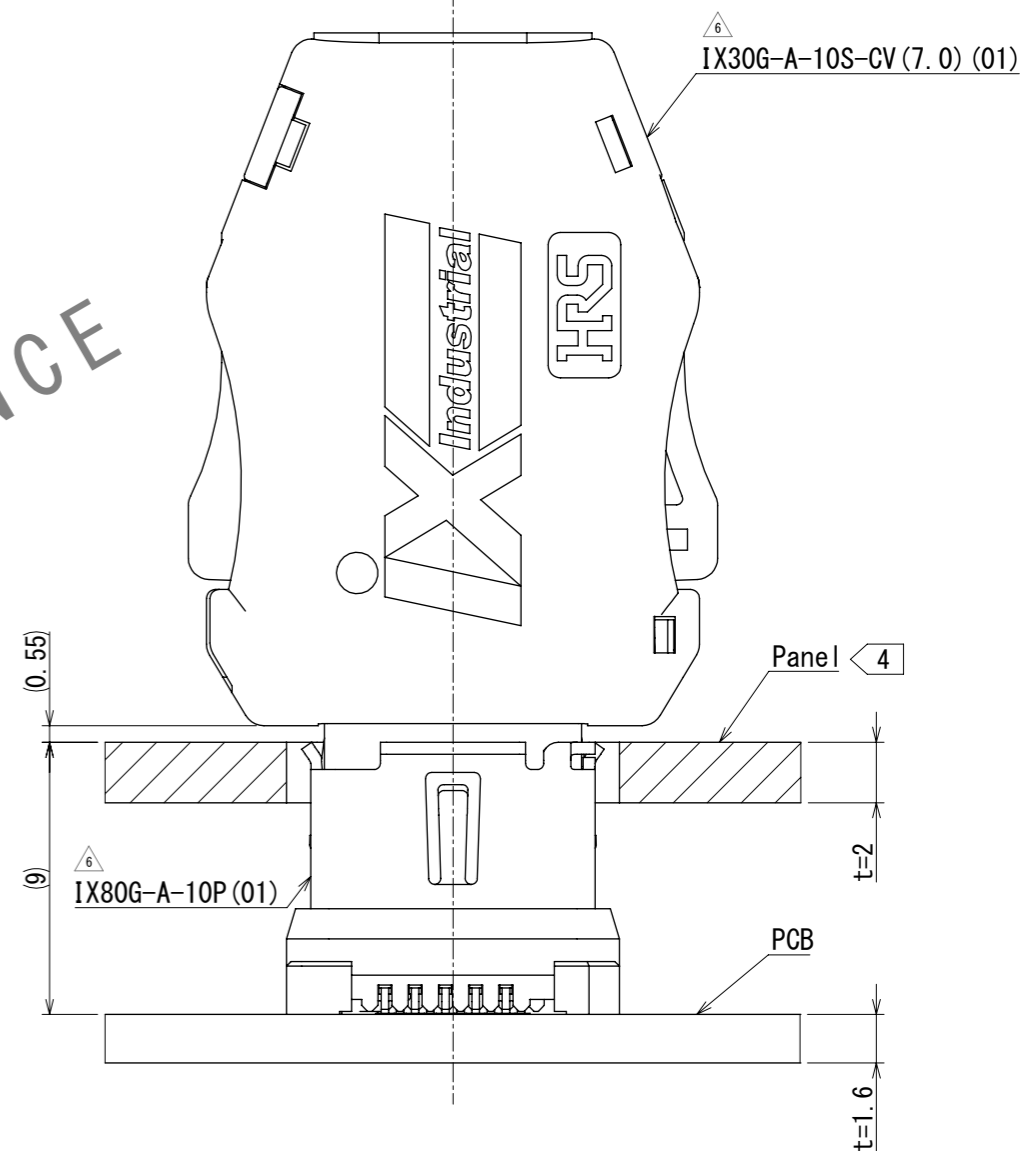
General tolerance is +/- 0.05

Reference Metal Mask Layout (t=0.15)

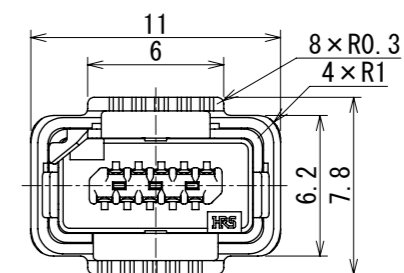


General tolerance is +/- 0.02

Mated Condition (Free)



Reference Dimensions of Panel Cutout (Free)

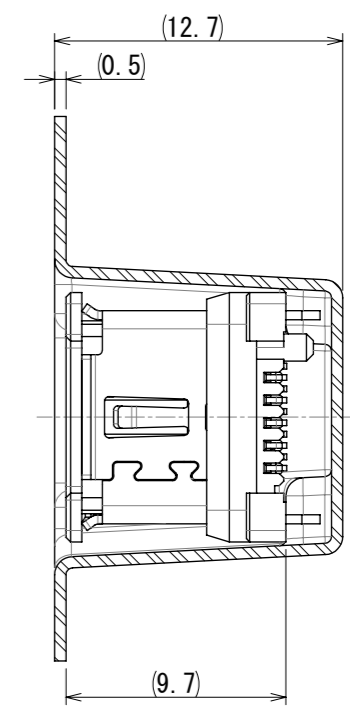
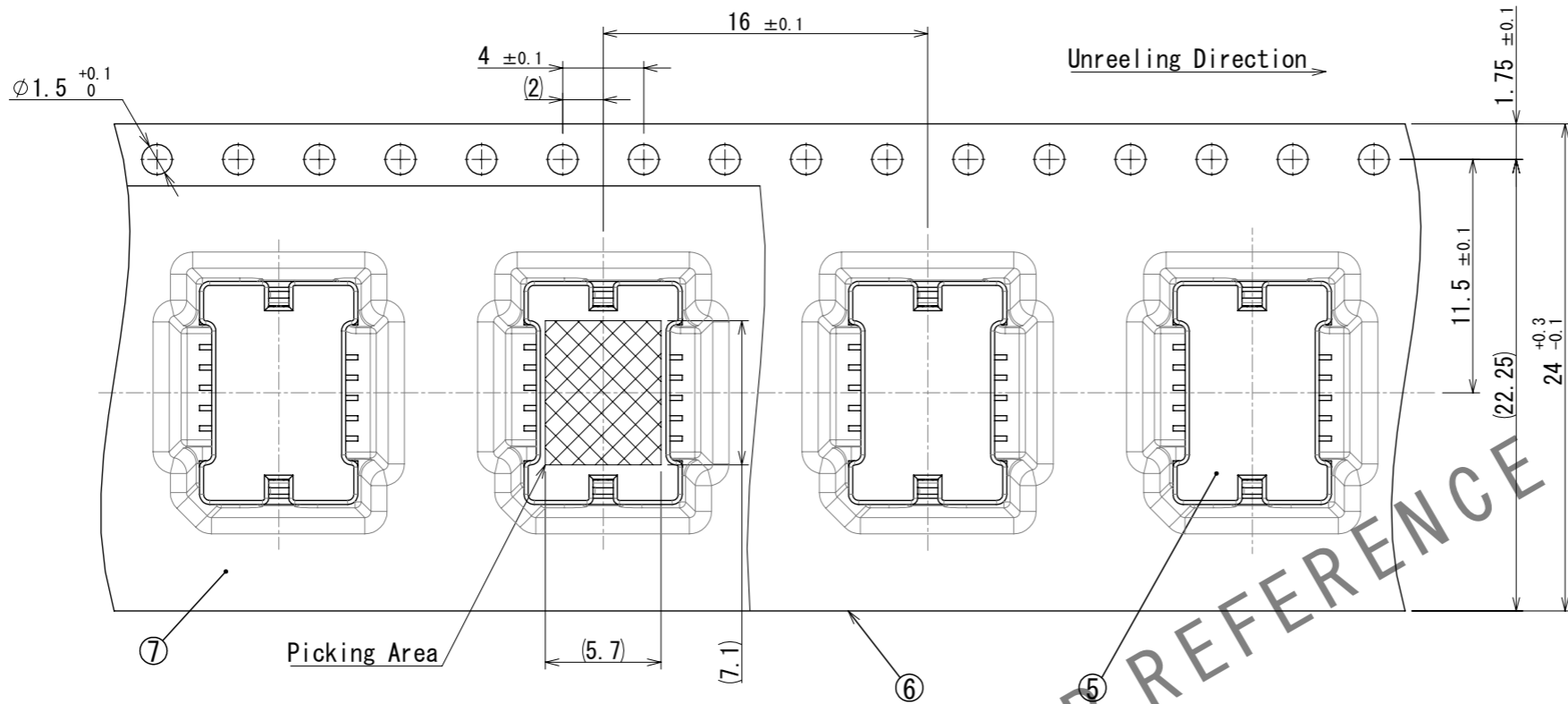


- Notes.
- ⑥ Thickness of metal mask is 0.1mm min.
 - Metal mask dimensions of the drawings described, are reference dimensions for 0.15mm thickness metal mask.
 - Change the metal mask dimensions by thickness of the metal mask, thickness of PCB, component of solder paste and mounting conditions.
 - Change the metal mask dimensions in case of mounting IX80G-*10P in parallel.
 - Change the metal mask dimensions, if there are other mounting parts or implementation pattern around the portion of mounting position of IX80G-*10P.

HRS	DRAWING NO.	EDC-129412-01-00	2/3
	PART NO.	IX80G-A-10P (01)	
	CODE NO.	CL0251-0018-0-01	
	NO.		

Jul 11, 2023 Copyright © 2023 HRS ELECTRIC CO., LTD. All Rights Reserved.
 In case of consideration for using Automative equipment, device which demand high reliability, kindly contact our sales window correspondents.

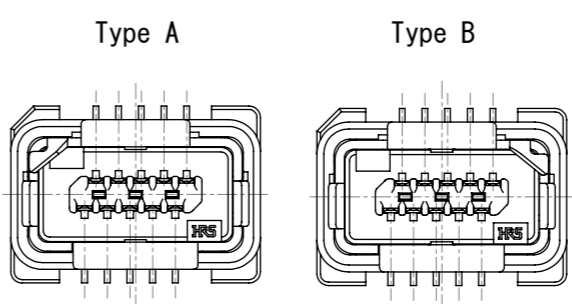
△ 3 Drawing for packing (Free)



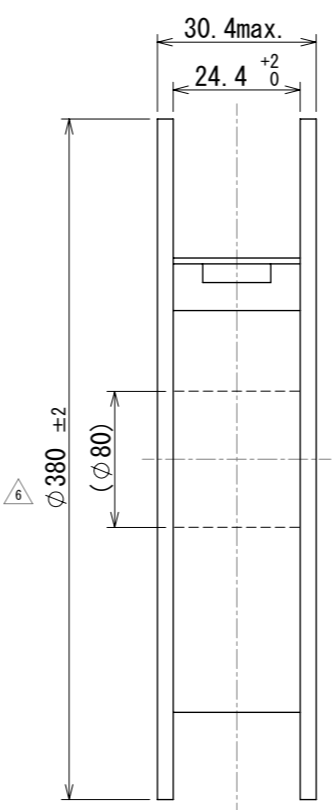
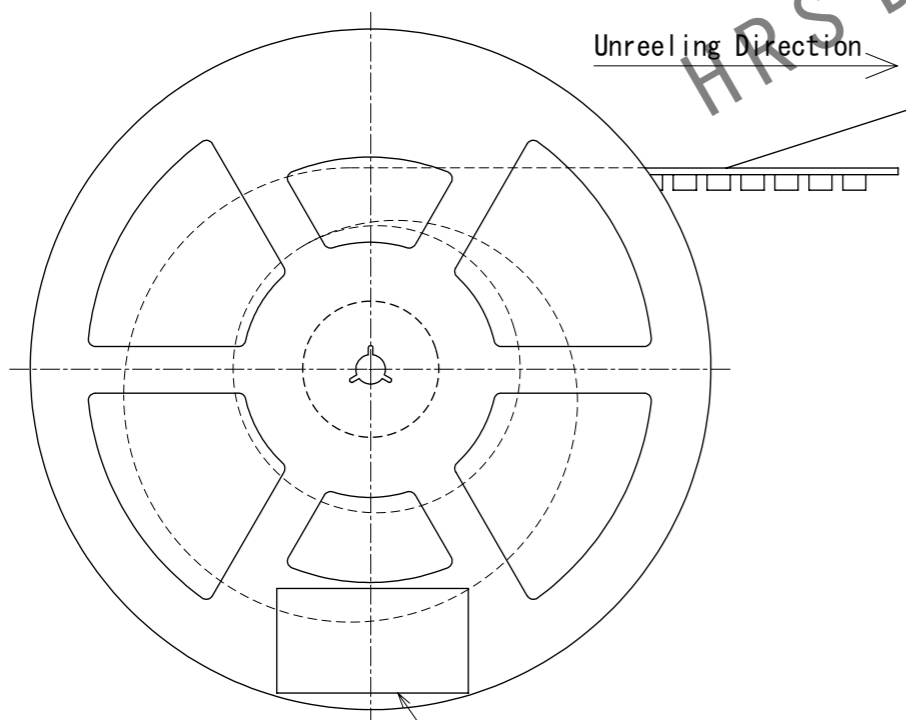
Notes. 7. This product (Type A) is defined for 10/100 Mbit/s and 1/10Gbit/s Ethernet communication. Please use Type B for all other non Ethernet applications like signaling, serial or other industrial bus communication systems.

Mating Shape

Pin Assignment for 10/100 Mbit/s and 1/10Gbit/s Ethernet



Contact No.	Signal	
	10/100 Mbit/s	1/10 Gbit/s
1	TX+	BI_DA+
2	TX-	BI_DA-
3	N.C	GND
4	N.C	BI_DC+
5	N.C	BI_DC-
6	RX+	BI_DB+
7	RX-	BI_DB-
8	N.C	GND
9	N.C	BI_DD+
10	N.C	BI_DD-



Label (Part No., Code No., Lot No., Packing Quantity)

HRS	DRAWING NO.	EDC-129412-01-00	△ 3/3
	PART NO.	IX80G-A-10P (01)	
	CODE NO.	CL0251-0018-0-01	
	NO.		