

Part Number: DSI1014

Electrical Specifications

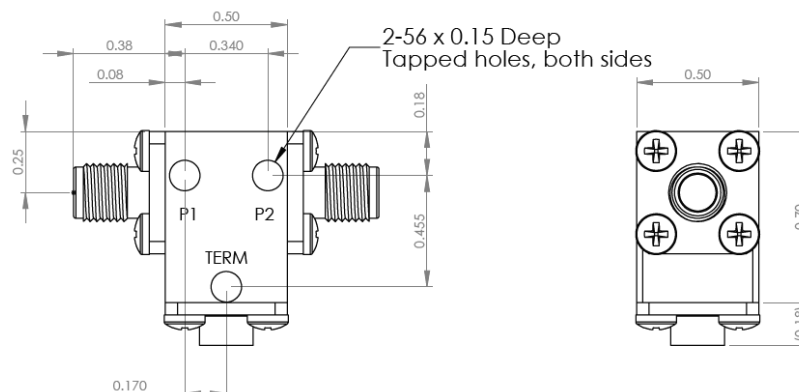
Frequency Range (GHz):	10.7 – 14.8
Isolation (dB):	20 MIN
Insertion Loss (dB):	0.3 MAX
VSWR:	1.2:1 MIN
Forward Power (W):	10 AVG 50 PK
Reflective Power (W):	2 AVG

Mechanical/Environmental Specifications

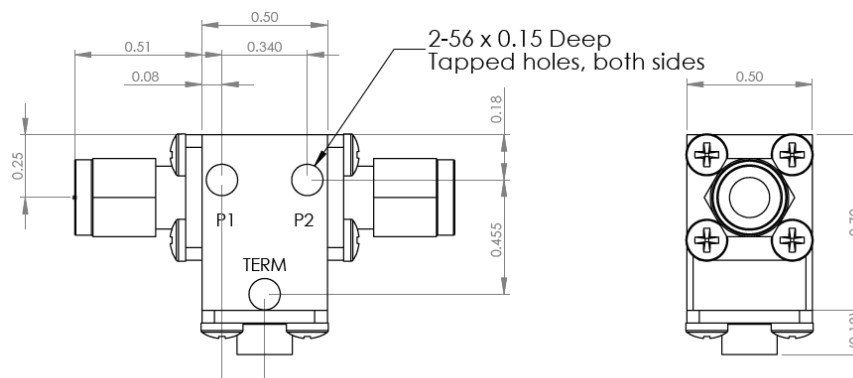
Connector Type:	SMA
Connector Body:	Passivated stainless steel
Connector Pin:	Gold plated copper
Load Body:	Brass
Magnetic Shunt:	Nickel plated CRS
Operational Temp:	-30°C to +65°C
Storage Temp:	-40°C to +120°C
Weight (oz):	0.90 MAX
Pressure:	< 1.5e ⁻⁵ torr
Screening Test:	Non-Operational Thermal Cycles
ATP:	Operational thermal cycling

Test Report Included w/CofC. To customize test procedures or specifications to your requirements, please contact DiTom.

DSI1014 Dimensions



DSI1014-3 Dimensions



Dimensions are in inches
Tolerance

XX	±0.03
XXX	±0.010

Type of Device	PN Suffix	Connector Configuration Input / Output	PN Example
Single and Dual Junction Isolator, 2-Port Device	N/A	Female / Female	DSI1014
	-1	Male / Female	DSI1014-1
	-2	Female / Male	DSI1014-2
	-3	Male / Male	DSI1014-3



MEASURED DATA

Part Number: DS11014, +25°C

