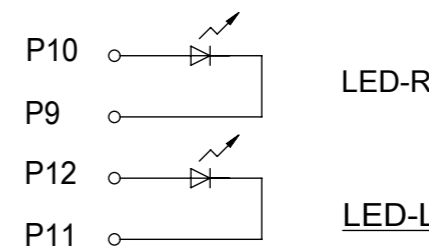
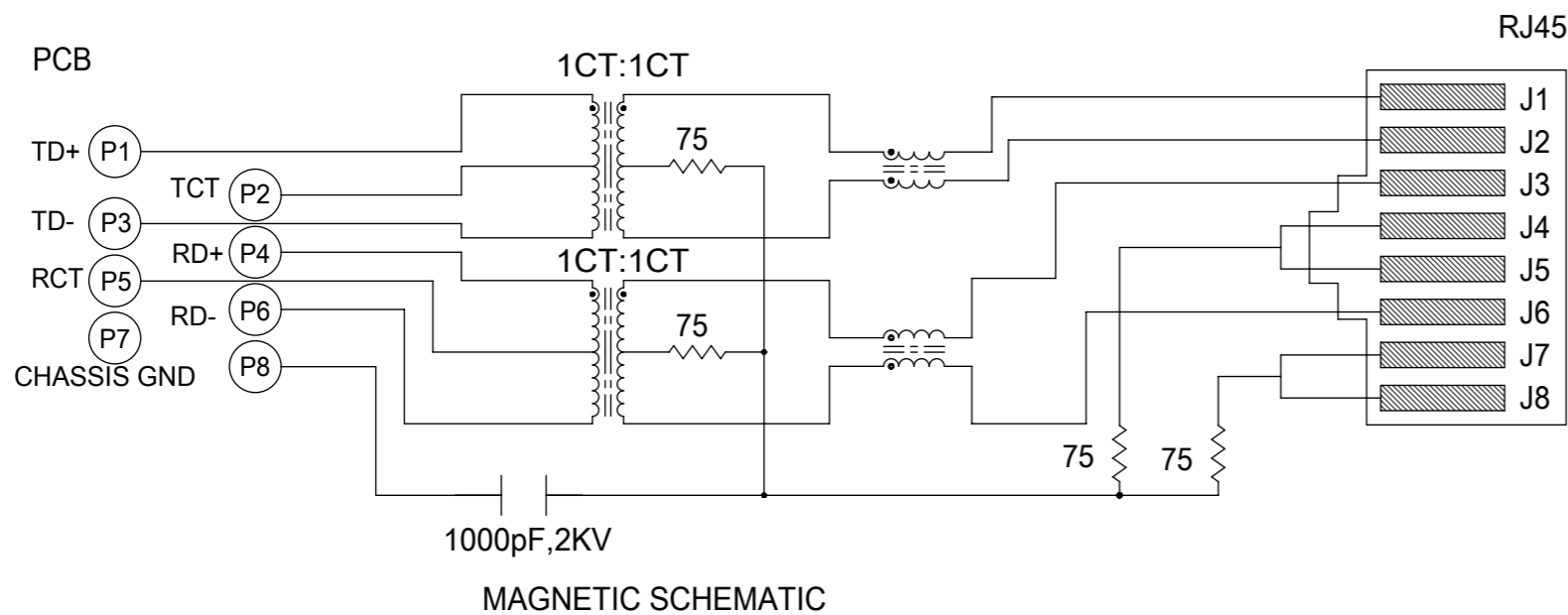


MAGNETIC ELECTRICAL SPECIFICATIONS:

- 1.0 TURNS RATIO:(P4-P5-P6):(J3-J6):1CT:1CT
(P3-P2-P1):(J1-J2):1CT:1CT
- 2.0 INDUCTANCE:(P4-P6):350uH MIN. @0.1V,100KHz,8mA DC Bias.
(P3-P1):350uH MIN. @0.1V,100KHz,8mA DC Bias.
- 3.0 LEAKAGE INDUCTANCE:P6-P5-P4(WITH J6 AND J3 SHORT):0.3 MAX.@1MHz.
P3-P2-P1(WITH J2 AND J1 SHORT):0.3 MAX.@1MHz.
- 4.0 INTERWINDING CAPACITANCE:(P6,P5,P4) TO (J6,J3):30pf MAX @1MHz.
(P3,P2,P1) TO (J2,J1):30pf MAX @1MHz.
- 5.0 DC RESISTANCE:(J6-J3)=(J2-J1):1.3 ohms Max.
- 6.0 RETURN LOSS:(P4-P6)(P1-P3)
1MHz TO 30MHz:18dB min.
30MHz TO 80MHz:12dB min.
- NOTE:100 OHMS CONNECTED TO (J2-J1) OR (J3-J6).
- 7.0 HI-POT:(J1,J2) TO (P1,P3):1500 VAC OR 2250 VDC.
(J3,J6) TO (P4,P6):1500 VAC OR 2250 VDC.
- 8.0 INSERTION LOSS:1.1 dB MAX.
100KHz TO 100MHz.
- 9.0 CROSS TALK:1-100 MHz:30 dB MIN.
- 10.0 COMMON TO COMMON MODE REJECTION:1MHz TO 100MHz:35 dB MIN.

LED ELECTRICAL SPECIFICATION

PARAMETER	GREEN (TYP.)	UNITS	TEST CONDITIONS
POWER DISSIPATION	105	mW	
REVERSE VOLTAGE	5	V	
PEAK WAVELENGTH	565	nm	IF=20mA
FORWARD VOLTAGE	2.2 MAX.=2.5	V	IF=20mA



SYMBOLS DIMENSION UNITS: mm SCALE: 1:1 GENERAL TOLERANCES (UNLESS SPECIFIED): ANGULAR TOL ± 3.0° 4 PLACES ± 3 PLACES ± 2 PLACES ± 0.25 1 PLACE ± 0.25 0 PLACES ± DRAFT WHERE APPLICABLE MUST REMAIN WITHIN DIMENSIONS THIRD ANGLE PROJECTION	THIS DRAWING CONTAINS INFORMATION THAT IS PROPRIETARY TO MOLEX ELECTRONIC TECHNOLOGIES, LLC AND SHOULD NOT BE USED WITHOUT WRITTEN PERMISSION		CURRENT REV DESC:			
	EC NO: 637574 DRWN: CCHEN103 2019/08/30 CHK'D: SHLENI 2020/05/28 APPR: SHLENI 2020/05/28		INITIAL REVISION: DRWN: ALLIN 2006/12/06 APPR: WWSCHANG 2006/12/12			MODULAR JACK WITH INTEGRATED MAGNETICS WITH LED W/O EMI FINGER
	PRODUCT CUSTOMER DRAWING		DOCUMENT NUMBER: SD-48025-012	DOC TYPE: PSD	DOC PART: 001	REVISION: C1
	MATERIAL NUMBER: 48025-1091	CUSTOMER: GENERAL MARKET	SERIES: A3-SIZE 48025	SHEET NUMBER: 2 OF 2		