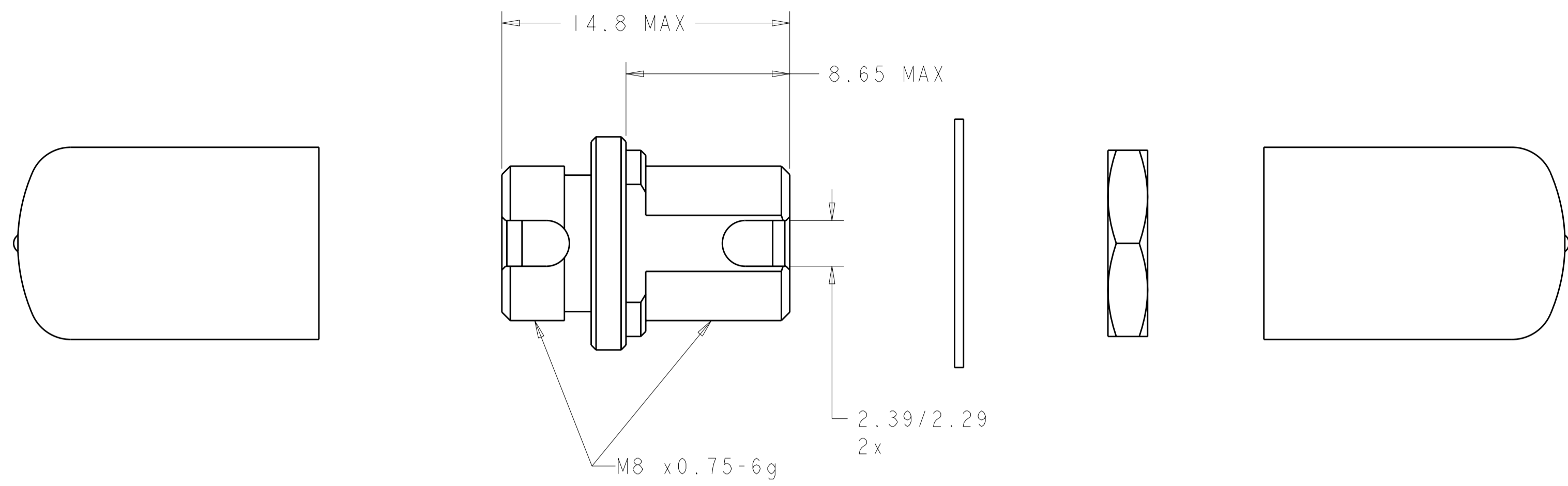
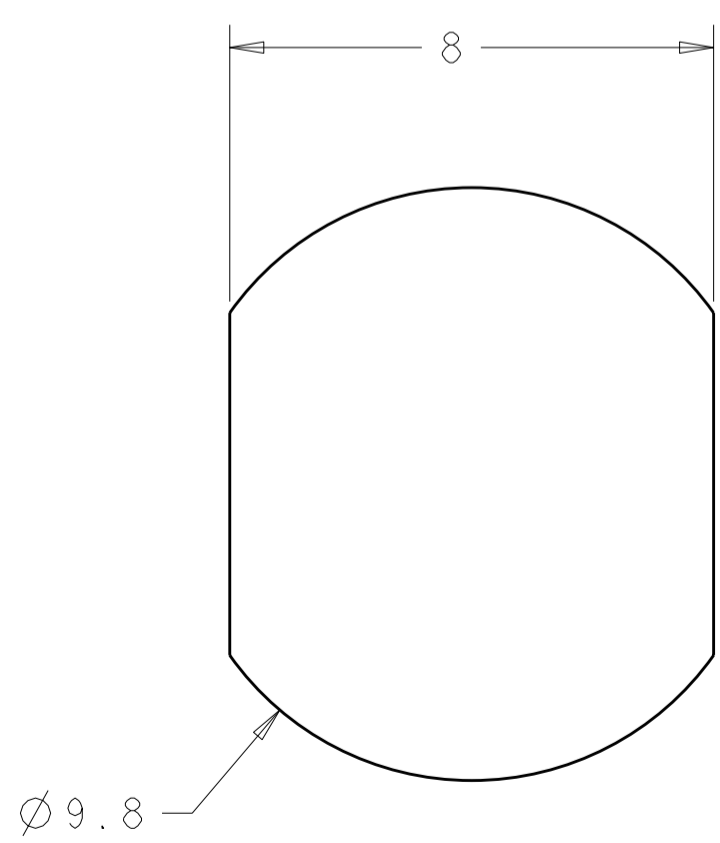
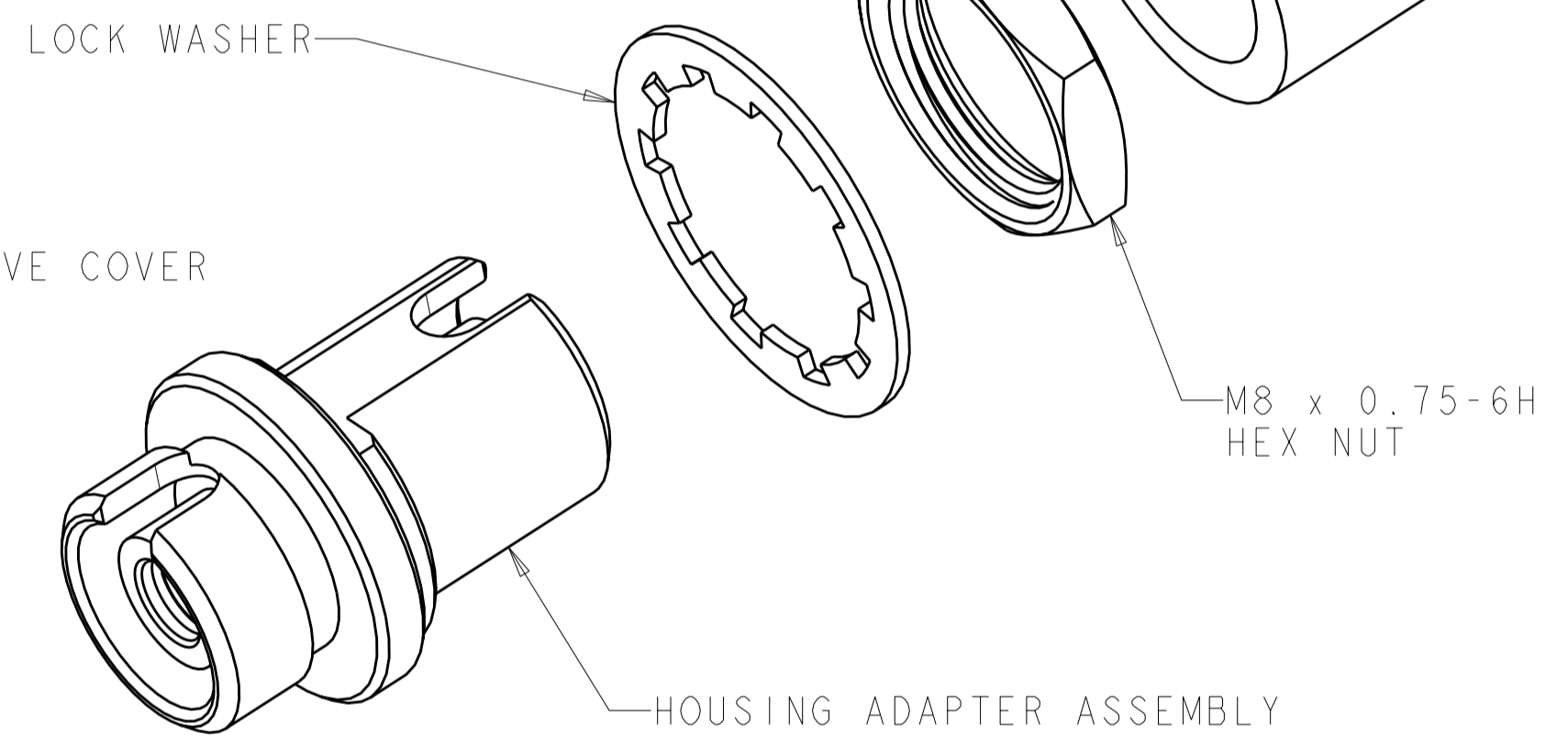


THIS DRAWING IS UNPUBLISHED. RELEASED FOR PUBLICATION 20
 © COPYRIGHT 20 BY TYCO ELECTRONICS CORPORATION. ALL RIGHTS RESERVED.

| LOC | DIST | REVISIONS | | | | | |
|-----|------|-----------|-----|-------------------|-----------|-----|------|
| CE | 00 | P | LTR | DESCRIPTION | DATE | DWN | APVD |
| | | | A | RELEASE TO ACTIVE | 07JUN2006 | BB | SM |



⚠ MATERIAL:
 HOUSING: NICKEL PLATED BRASS
 ADAPTER INSERT: NICKEL PLATED BRASS
 HEX NUT: NICKEL PLATED BRASS
 SLEEVE: PHOSHER BRONZE
 LOCK WASHER: STAINLESS STEEL
 PROTECTIVE COVER: VINYL, COLOR: RED



SUGGESTED PANEL CUTOUT
 MAXIMUM PANEL THICKNESS 1.65
 SCALE 8:1

5504013-1
 PART NUMBER

| | | | | |
|---|--|---------------------------------|---|-----------|
| THIS DRAWING IS A CONTROLLED DOCUMENT FOR TYCO ELECTRONICS CORPORATION. IT IS SUBJECT TO CHANGE AND THE CONTROLLING ENGINEERING ORGANIZATION SHOULD BE CONTACTED FOR THE LATEST REVISION. | | DWN B. BRIGGS 08DEC2005 | Tyco Electronics Harrisburg, PA 17105-3608 | |
| DIMENSIONS: mm | | CHK S. MILLER 08DEC2005 | NAME RECTACLE, FC, STANDARD SLOT | |
| TOLERANCES UNLESS OTHERWISE SPECIFIED: 0 PLC ±0.1 1 PLC ±0.1 2 PLC ±0.25 3 PLC ± 4 PLC ± ANGLES ± FINISH | | APVD S. BUCHTER 08DEC2005 | RESTRICTED TO | |
| MATERIAL | | PRODUCT SPEC | SIZE | CAGE CODE |
| - | | APPLICATION SPEC | A200779 | 5504013 |
| - | | WEIGHT | SCALE | SHEET |
| - | | CUSTOMER DRAWING | 5:1 | 1 OF 1 |