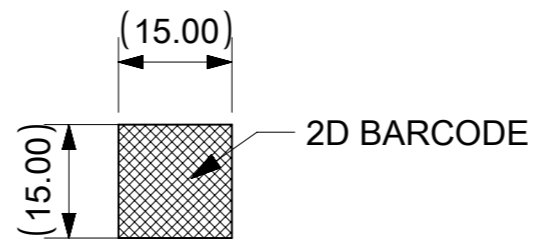


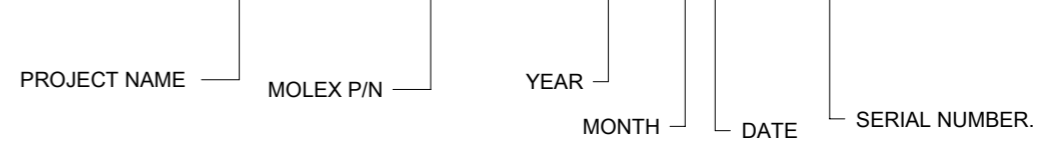
REV	DATE	DESCRIPTION
A	10/28/2022	INITIAL RELEASE



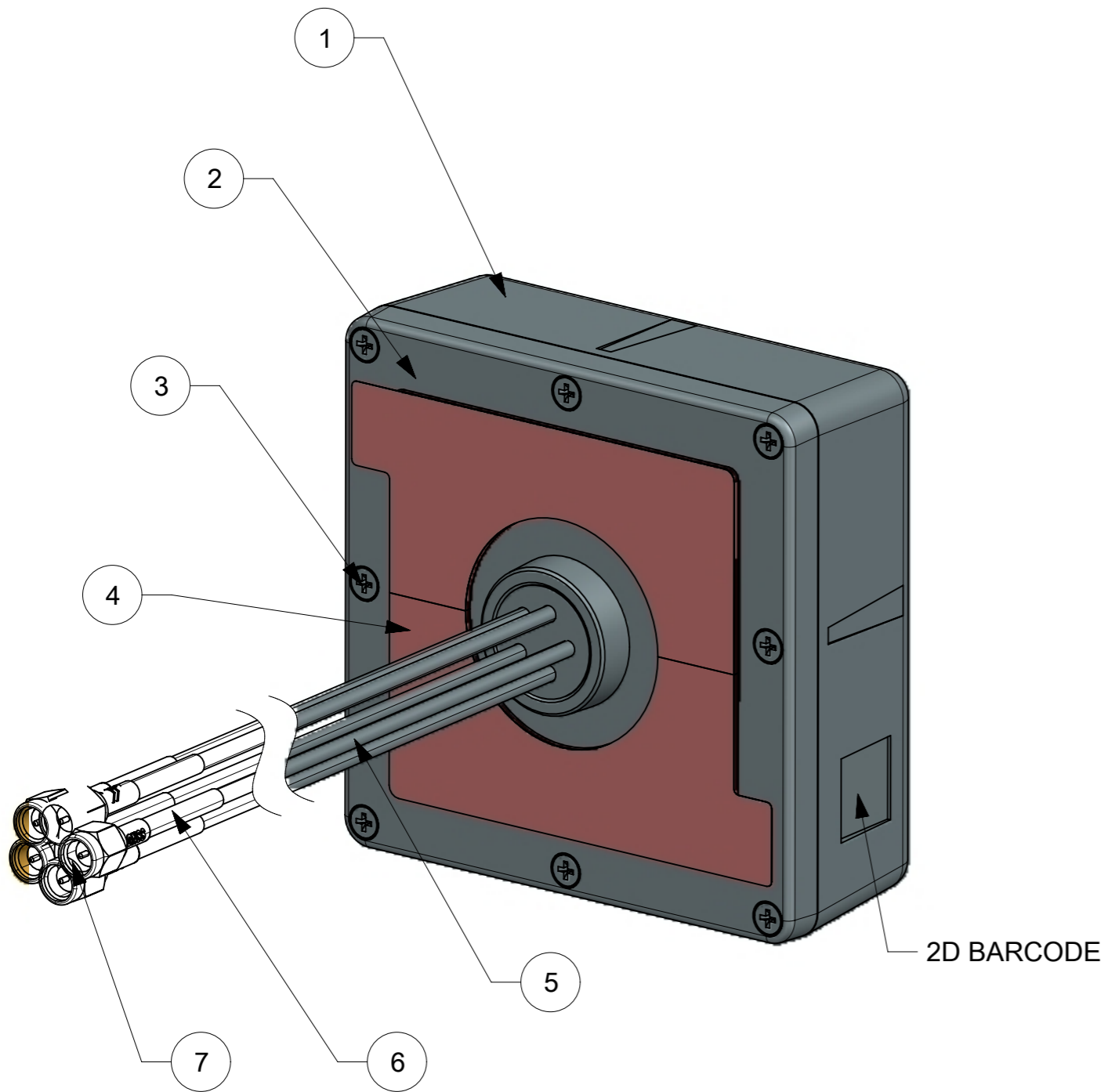
**2D BARCODE CONTENT**

SIZE:15X15mm

DEFINITION:5IN1 ANTENNA#2192640001#XXXXXXXXXX#XXXX



FOR EXAMPLE:5IN1 ANTENNA#2192640001#20220121#0001

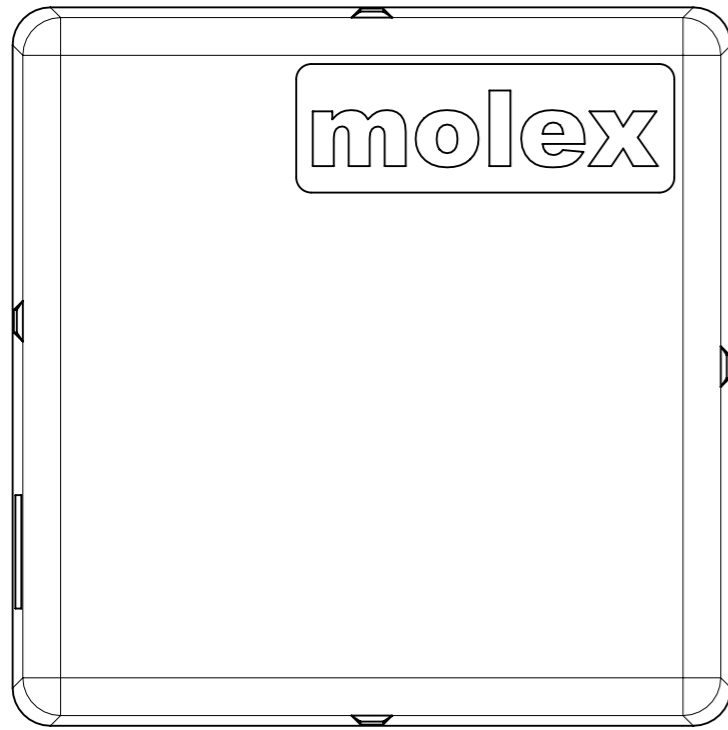


**BOM TABLE**

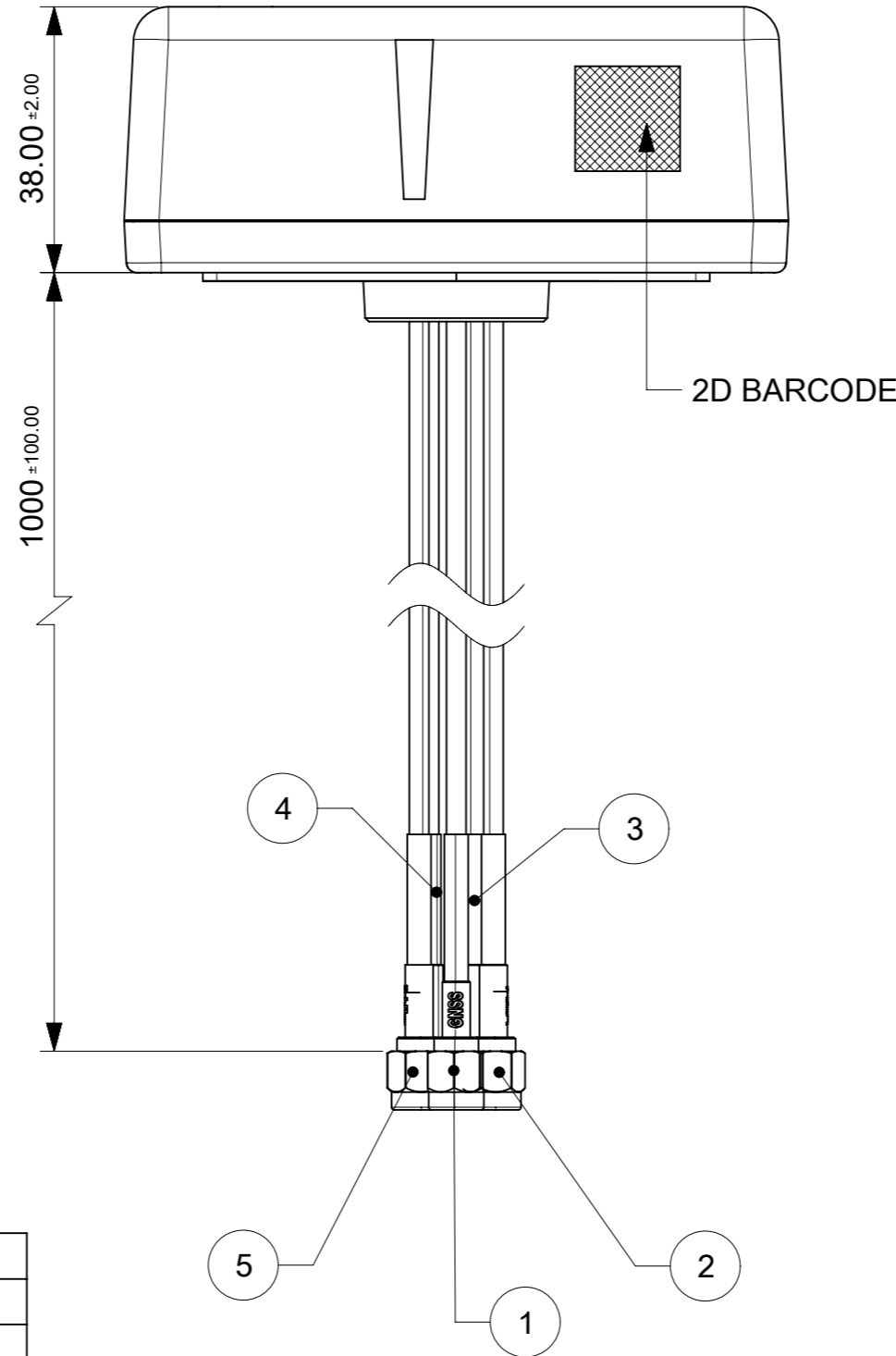
ITEM	DESCRIPTION	REMARK	QTY
1	TOP HOUSING	PC/ABS BLACK	1 PCS
2	BOTTOM COVER	PC/ABS BLACK	1 PCS
3	SCREW	METAL	6 PCS
4	PSA	DOUBLE-SIDE ADHESIVE	2 PCS
5	CABLE	RG174 CABLE BLACK JACK	5 PCS
6	HEAT SHRINK TUBE	BLACK IN COLOR	5 PCS
7	CONNECTOR	SMA PLUG MALE GOLDEN PLATING	1 PCS

FUNCTIONAL SYMBOLS	THIS DRAWING CONTAINS INFORMATION THAT IS PROPRIETARY TO MOLEX ELECTRONIC TECHNOLOGIES, LLC AND SHOULD NOT BE USED WITHOUT WRITTEN PERMISSION	CURRENT REV DESC:		<b>molex</b>			
	<table border="1"> <tr> <th>DIMENSION UNITS</th> <th>SCALE</th> </tr> <tr> <td>mm</td> <td>1:1</td> </tr> </table>	DIMENSION UNITS	SCALE		mm	1:1	
DIMENSION UNITS	SCALE						
mm	1:1						
GENERAL TOLERANCES (UNLESS SPECIFIED)	ANGULAR TOL ± 2.0 °	EC NO: 726399		PRODUCT CUSTOMER DRAWING			
	4 PLACES ± 0.3	DRWN: VINCEJ3	2022/10/28				
DIVISIONAL SYMBOLS	3 PLACES ± 0.5	CHK'D: HORACM1	2022/10/28	DOCUMENT NUMBER			
	2 PLACES ± 1.0	APPR: HORACM1	2022/10/28		2192640001		
1 PLACE ± 2.0	INITIAL REVISION:	DRWN: VINCEJ3	2022/10/28	DOC TYPE			
0 PLACES ± 3.0	DRWN: VINCEJ3	2022/10/28	2022/10/28	DOC PART			
DRAFT WHERE APPLICABLE MUST REMAIN WITHIN DIMENSIONS	THIRD ANGLE PROJECTION	DRAWING	SERIES	REVISION			
		A3-SIZE	219264	A			
		MATERIAL NUMBER	CUSTOMER	SHEET NUMBER			
		2192640001	GENERAL MARKET	1 OF 2			

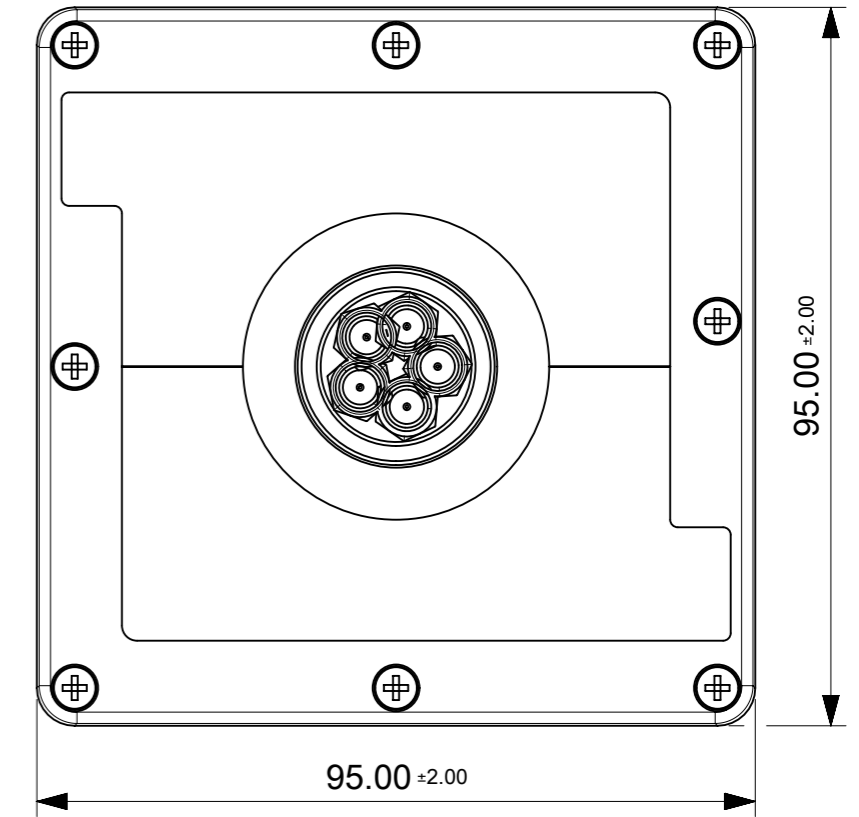
TOP SIDE



SIDE VIEW



BOTTOM SIDE



CABLE INFORMATION		
ITEM	REMARK	PRINT TEXT
1	Ø2.8±0.15	GNSS
2	Ø2.8±0.15	WIFI1
3	Ø2.8±0.15	LTE2
4	Ø2.8±0.15	LTE1
5	Ø2.8±0.15	WIFI2

FUNCTIONAL SYMBOLS	THIS DRAWING CONTAINS INFORMATION THAT IS PROPRIETARY TO MOLEX ELECTRONIC TECHNOLOGIES, LLC AND SHOULD NOT BE USED WITHOUT WRITTEN PERMISSION		CURRENT REV DESC:			<b>molex</b>					
	▽A = 0	mm							SCALE 1:1		
DIVISIONAL SYMBOLS	GENERAL TOLERANCES (UNLESS SPECIFIED)		EC NO: 726399 DRWN: VINCEJ3 2022/10/28 CHK'D: HORACM1 2022/10/28 APPR: HORACM1 2022/10/28			PRODUCT CUSTOMER DRAWING					
	▽E = 0	ANGULAR TOL ± 2.0 °									
	▽F = 0	4 PLACES ± 0.3				INITIAL REVISION: DRWN: VINCEJ3 2022/10/28 APPR: HORACM1 2022/10/28					
		3 PLACES ± 0.5							DOCUMENT NUMBER 2192640001   DOC TYPE PSD   DOC PART 000   REVISION A		
		2 PLACES ± 1.0									
	1 PLACE ± 2.0	MATERIAL NUMBER 2192640001   CUSTOMER GENERAL MARKET   SHEET NUMBER 2 OF 2									
	0 PLACES ± 3.0										
DRAFT WHERE APPLICABLE MUST REMAIN WITHIN DIMENSIONS		THIRD ANGLE PROJECTION	DRAWING A3-SIZE	SERIES 219264							