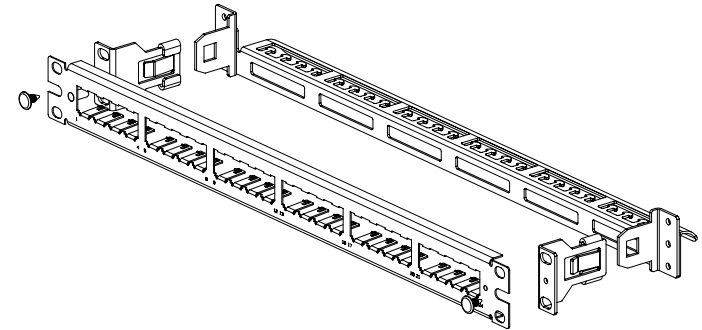
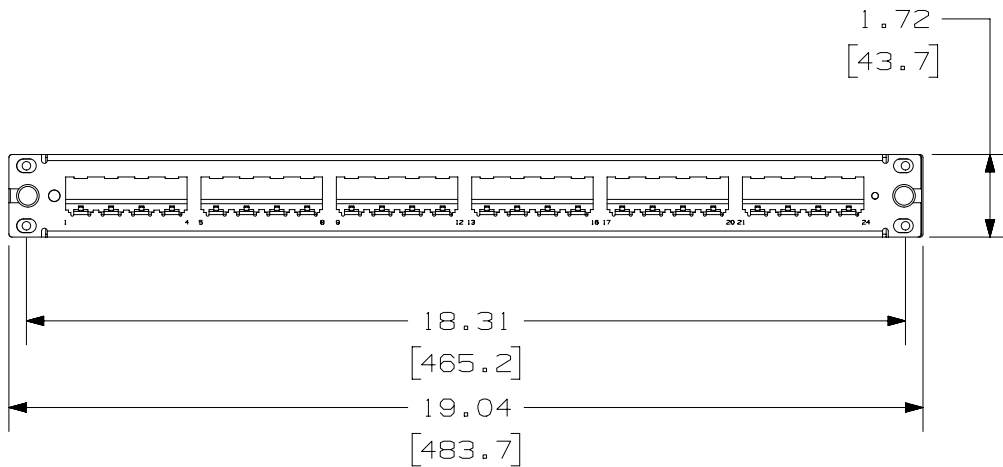
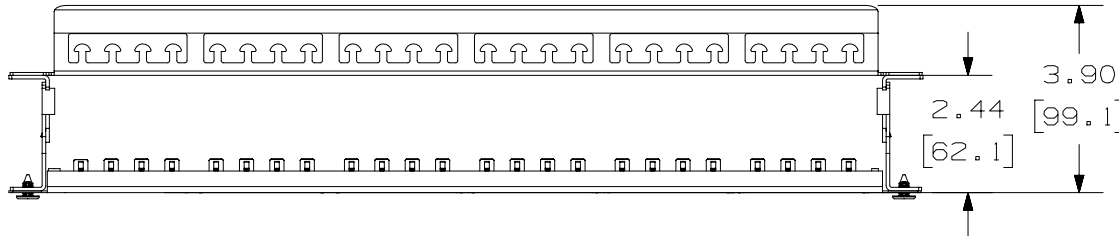


THIS COPY IS PROVIDED ON A RESTRICTED BASIS AND IS NOT TO BE USED IN ANY WAY DETRIMENTAL TO THE INTERESTS OF PANDUIT CORP.

PANDUIT P/N	WEIGHT
CP24WSBBK6TG**	1.23 LB/EACH PC (557.9 g/EACH PC)

NOTES:

- SEE CURRENT CATALOG FOR ADDITIONAL PART NUMBER SUFFIXES TO INDICATE COLOR AND OR PACKAGE QUANTITY.
- SEE CATALOG FOR COMPLETE LIST OF PARTS APPLICABLE FOR USE WITH THIS PART.
- DIMENSIONS IN [] ARE IN METRIC.
- PART INCLUDES:
 - 1- 24 PORT ALL METAL PATCH PANEL
 - 24- SHIELDED JACK
 - 24- CABLE TIE
 - 1- STRAIN RELIEF BAR
 - 1- #12-24 SCREW/WASHER KIT
 - 1- #12-24 SCREW KIT
 - 2- RATCHET FASTENER
 - 2- LATCH BRACKET
 - 2- TAB BRACKET (ASSEMBLED TO THE STRAIN RELIEF BAR)



PART NUMBER		CP24WSBBK6TG**	
TITLE			
PATCH PANEL KIT- INCLUDES PATCH PANEL (CP24**Y), STRAIN RELIEF BAR (SRBCT), QUICK RELEASE BRACKETS (SRBBRKT), AND 24 TX6 PLUS SHIELDED JACK MODULES			
CUSTOMER DRAWING			
ITEM REVISION NAME		M02644AD/01	
DATASET FILE NAME		M02644AD_DC04/01A	
UNLESS OTHERWISE SPECIFIED, DIMENSIONAL TOLERANCES ARE: IN [mm]		MATERIAL:	
.x ± .xx ± .03 [.8]		PATCH PANEL: STAINLESS STEEL	
.xxx ± .010 [.3]		STRAIN RELIEF BAR: C.R.S.	
ANGLES ±		QUICK RELEASE BRACKETS: C.R.S.	
THIRD ANGLE PROJECTION		DRAWING NUMBER:	
02644-04		02644-04	
DRAWN BY	DATE	CHK	SCALE
JSP	9-19-06	MJD	NONE
SHT 1 OF 1			SIZE
SHT 1 OF 1			A

REV	DATE	BY	CHK	APR	DESCRIPTION	ECN
2	11-15-18	BAME	KRKE	MMR	B. REMOVED METRIC MOUNTING SCREWS	02644-04
1	3-14-14	SCAL	REFR	MMR	A. REVISED DRAWING TITLE BLOCK	02644-04
R	9-19-06	JSP	MJD	MJD	RELEASED TO PRODUCTION	02644-04

D10100DA/14