

TE Internal #: 2110069-1

SFP, SFP+ & zSFP+, Cage Assembly, Data Rate (Max) 16 Gb/s,
Internal/External EMI Springs, SFP+, With Lightpipe, 1 x 4, Dual
Round, Reduced Length

[View on TE.com >](#)

Connectors > Pluggable IO Connectors & Cages > SFP, SFP+ & zSFP+

Pluggable I/O Product Type: **Cage Assembly**Data Rate (Max): **16 Gb/s**EMI Containment Feature Type: **Internal/External EMI Springs**Pluggable I/O Applications: **SFP+**Lightpipe Options: **With Lightpipe**

Features

Product Type Features

Form Factor	SFP+
Cage Type	Ganged
Pluggable I/O Product Type	Cage Assembly
Lightpipe Options	With Lightpipe
Connector System	Cable-to-Board
Sealable	No
Connector & Contact Terminates To	Printed Circuit Board

Configuration Features

Port Matrix Configuration	1 x 4
Lightpipe Configuration	Dual Round
Lightpipe Style	Reduced Length
Lightpipe Profile	Standard
Number of Ports	4

Electrical Characteristics

Data Rate (Max)	16 Gb/s
-----------------	---------

Termination Features

Termination Post & Tail Length	2.05 mm[.081 in]
Termination Method to Printed Circuit Board	Through Hole - Press-Fit

Mechanical Attachment



Connector Mounting Type	Board Mount
-------------------------	-------------

Housing Features

Cage Material	Nickel Silver
---------------	---------------

Dimensions

PCB Thickness (Recommended)	2.25 mm [.089 in]
-----------------------------	-------------------

Usage Conditions

Operating Temperature Range	-55 – 105 °C [-67 – 221 °F]
-----------------------------	-----------------------------

Operation/Application

Heat Sink Compatible	No
For Use With Pluggable I/O Products	SFP+ SMT Connector
Pluggable I/O Applications	SFP+
Circuit Application	Signal

Packaging Features

Packaging Method	Box, Box & Tray
------------------	-----------------

Other

EMI Containment Feature Type	Internal/External EMI Springs
------------------------------	-------------------------------

Product Compliance

[For compliance documentation, visit the product page on TE.com>](#)

EU RoHS Directive 2011/65/EU	Compliant
EU ELV Directive 2000/53/EC	Compliant
China RoHS 2 Directive MIIT Order No 32, 2016	No Restricted Materials Above Threshold
EU REACH Regulation (EC) No. 1907/2006	Current ECHA Candidate List: JUNE 2023 (235) Candidate List Declared Against: JUNE 2023 (235) Does not contain REACH SVHC
Halogen Content	Not Low Halogen - contains Br or Cl > 900 ppm.
Solder Process Capability	Reflow solder capable to 260°C

Product Compliance Disclaimer

This information is provided based on reasonable inquiry of our suppliers and represents our current actual knowledge based on the information they provided. This information is subject to change. The part numbers that TE has identified as EU RoHS compliant have a maximum concentration of 0.1% by weight in homogenous materials for lead, hexavalent



chromium, mercury, PBB, PBDE, DBP, BBP, DEHP, DIBP, and 0.01% for cadmium, or qualify for an exemption to these limits as defined in the Annexes of Directive 2011/65/EU (RoHS2). Finished electrical and electronic equipment products will be CE marked as required by Directive 2011/65/EU. Components may not be CE marked. Additionally, the part numbers that TE has identified as EU ELV compliant have a maximum concentration of 0.1% by weight in homogenous materials for lead, hexavalent chromium, and mercury, and 0.01% for cadmium, or qualify for an exemption to these limits as defined in the Annexes of Directive 2000/53/EC (ELV). Regarding the REACH Regulation, the information TE provides on SVHC in articles for this part number is based on the latest European Chemicals Agency (ECHA) 'Guidance on requirements for substances in articles' posted at this URL: <https://echa.europa.eu/guidance-documents/guidance-on-reach>

Compatible Parts



TE Part # CAT-C11-N490333
QSFP28-Four SFP+ Cable Assembly: 30 AWG



TE Part # CAT-C11-N490325
QSFP28-Four SFP+ Cable Assembly: 26 AWG



TE Part # CAT-C11-N4901114
SFP28 to SFP28 Cable Assembly: 30 AWG



TE Part # CAT-C11-N49011
SFP28 to SFP28 Cable Assembly: 26 AWG



TE Part # CAT-Q17-N49011
QSFP56-Four SFP56 Cable Assembly: 30 AWG



TE Part # CAT-Q17-N490333
QSFP56-Four SFP56 Cable Assembly: 26 AWG



TE Part # 4-2821222-5
SFP56 DIRECT ATTACH CA, 2M, 30AWG



TE Part # 4-2821224-5
SFP56 DIRECT ATTACH CA, 3M, 26AWG



TE Part # 4-2334985-2
SFP56 DIRECT ATTACH CA, 1M, 32AWG



TE Part # CAT-C11-H5
SFP+ to SFP+ I/O Cable Assembly: 24 AWG



TE Part # CAT-C11-H50626
SFP+ to SFP+ I/O Cable Assembly: 30 AWG



TE Part # CAT-C11-H506
SFP+ to SFP+ I/O Cable Assembly: 26 AWG



TE Part # CAT-C11-H5062
SFP+ to SFP+ I/O Cable Assembly: 28 AWG



TE Part # 2334985-2
SFP28 DIRECT ATTACH CA, 1M, 32AWG



TE Part # 2142970-1
CABLE ASSY, MICRO SFP+ TO STD SFP+, 0.5M



TE Part # 2142970-2
CABLE ASSY, MICRO SFP+ TO STD SFP+, 1M



TE Part # 2142970-3
CABLE ASSY, MICRO SFP+ TO STD SFP+, 2M



TE Part # 2142970-4
CABLE ASSY, MICRO SFP+ TO STD SFP+, 3M

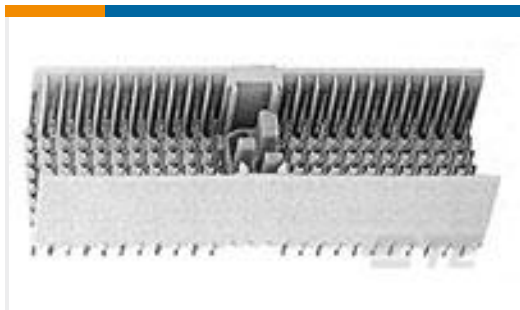


TE Part # 2142970-5
CABLE ASSY, MICRO SFP+ TO STD SFP+, 4M



TE Part # 2142970-6
CABLE ASSY, MICRO SFP+ TO STD SFP+, 5M

Customers Also Bought



TE Part #5352332-1
2MM HM TYPE A MALE HDR 154 POS



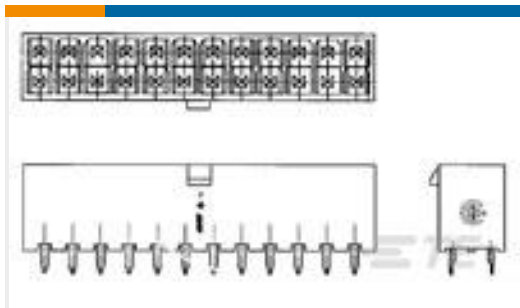
TE Part #2007637-5
SFP+ assy 2x2 Spring Fingers 4 LP Sn



TE Part #8-2176070-5
3521 33K 1% 2W



TE Part #1-2176230-1
3522 5R6 5% 3W



TE Part #2-1586037-0
20P VERT HDR VAL-U-LOK V2



TE Part #1761008-3
SFP 1X4 CAGE & LIGHT PIPE KIT



TE Part #6469001-1
HM-ZD 4PR RECP 80P



TE Part #1888810-2
EMI/Dust Cover,XFP And QSFP



TE Part #2227671-2
zQSFP+ STACKED RECEPTACLE ASSEMBLY 2X3

Documents

Product Drawings

SFP+ 1x4 Cage Assembly, Light Pipes

English

CAD Files

3D PDF

3D

Customer View Model

ENG_CVM_CVM_2110069-1_A.2d_dxf.zip



English

Customer View Model

[ENG_CVM_CVM_2110069-1_A.3d_igs.zip](#)

English

Customer View Model

[ENG_CVM_CVM_2110069-1_A.3d_stp.zip](#)

English

By downloading the CAD file I accept and agree to the [Terms and Conditions](#) of use.

Product Specifications

[Product Specification](#)

English

Product Environmental Compliance

[TE Material Declaration](#)

English