

# 9001K2L35GH13

Harmony 9001K, illuminated push-button, metal, projecting, green, 30mm, spring return, 24-28V, 1 C/O



## Main

|                                 |                            |
|---------------------------------|----------------------------|
| Range of Product                | Harmony 9001K              |
| Product or Component Type       | Illuminated push-button    |
| Device short name               | 9001K                      |
| Type of operator                | Spring return              |
| Operator profile                | Green projecting, unmarked |
| Operator additional information | Without guard              |

## Complementary

|   |  |
|---|--|
| Bezel material                              | Metal  |
| Mounting diameter                           | 1.18 in (30 mm)  |
| Shape of signaling unit head                | Octagonal  |
| Light source                                | incandescent   |
| Light source                                | Incandescent bulb  |
| Bulb base                                   | BA 9s  |
| Light block supply                          | Direct   |
| [Us] rated supply voltage                   | 24...28 V AC/DC  |
| Contacts type and composition               | 1 C/O  |
| Connections - terminals                     | Screw clamp terminals 1 x 0.22...2 x 1.5 mm <sup>2</sup> IEC 60947-1   |
| Tightening torque                           | 7.08 lbf.in (0.8 N.m) IEC 60947-1  |
| Shape of screw head                         | Cross slotted  |
| Mechanical durability                       | 5000000 cycles   |
| Operating position                          | Any position   |
| [Ui] rated insulation voltage               | 250 V 3)IEC 60947-1  |
| [Uimp] rated impulse withstand voltage      | 2.5 kV IEC 60947-1   |
| Contacts material                           | Silver alloy contacts  |
| Contact operation                           | Standard   |
| Positive opening                            | Without  |
| Short-circuit protection                    | 10 A cartridge fuse IEC 60947-5-1  |
| [Ith] conventional free air thermal current | 10 A   |
| [Icm] rated short-circuit making capacity   | 12 KA 600 V AC-15, 7200 VA<br>15 KA 480 V AC-15, 7200 VA<br>30 KA 240 V AC-15, 7200 VA<br>60 KA 120 V AC-15, 7200 VA   |
| Rated breaking capacity                     | 1.2 KA 600 V AC-15, 720 VA<br>1.5 KA 480 V AC-15, 720 VA<br>3 KA 240 V AC-15, 720 VA<br>6 KA 120 V AC-15, 720 VA<br>0.1 KA 600 V DC-13<br>0.27 KA 250 V DC-13<br>0.55 kA 125 V DC-13 |
| CAD overall width                           | 2.13 in (54 mm)  |
| CAD overall height                          | 1.65 in (42 mm)  |
| CAD overall depth                           | 4.06 in (103 mm)   |
| Terminals description ISO n°1               | (13-14-11-12)OF  |

|                     |                        |
|---------------------|------------------------|
| Net Weight          | 0.37 lb(US) (0.166 kg) |
| Device presentation | Complete product       |

## Environment

|                                       |  |
|---------------------------------------|--|
| Standards                             | JIS C 852<br>UL 508<br>EN/IEC 60947-5-1<br>CSA C22.2 No 14<br>EN/IEC 60947-5-4<br>JIS C 4520<br>EN/IEC 60947-1 |
| Product Certifications                | UL 508<br>NEMA   |
| Protective treatment                  | TC   |
| Ambient Air Temperature for Storage   | -40...158 °F (-40...70 °C)   |
| Ambient Air Temperature for Operation | -13...158 °F (-25...70 °C)   |
| Vibration resistance                  | 7 gn 2...500 Hz)IEC 60068-2-6  |
| Shock resistance                      | 50 gn IEC 60068-2-27   |
| Overvoltage category                  | Class II IEC 61140   |
| IP degree of protection               | IP66 IEC 60529   |
| NEMA degree of protection             | NEMA 1<br>NEMA 12<br>NEMA 13<br>NEMA 2<br>NEMA 3<br>NEMA 3R<br>NEMA 4  |

## Ordering and shipping details

|                       |                             |
|-----------------------|-----------------------------|
| Category              | 21426-9001 K (NOT KA,KM,KX) |
| Discount Schedule     | CS1                         |
| GTIN                  | 3389110919967               |
| Nbr. of units in pkg. | 1                           |
| Package weight(Lbs)   | 6.24 oz (176.901 g)         |
| Returnability         | Yes                         |
| Country of origin     | MX                          |

## Packing Units

|                        |                    |
|------------------------|--------------------|
| Unit Type of Package 1 | PCE                |
| Package 1 Height       | 1.90 in (4.826 cm) |
| Package 1 width        | 2.30 in (5.842 cm) |
| Package 1 Length       | 4.50 in (11.43 cm) |

## Offer Sustainability

|                            |   |
|----------------------------|---|
| Sustainable offer status   | Green Premium product   |
| California proposition 65  | WARNING: This product can expose you to chemicals including: Lead and lead compounds, which is known to the State of California to cause cancer and birth defects or other reproductive harm. For more information go to <a href="http://www.P65Warnings.ca.gov">www.P65Warnings.ca.gov</a> |
| REACH Regulation           | <a href="#">REACH Declaration</a>   |
| EU RoHS Directive          | Pro-active compliance (Product out of EU RoHS legal scope) <a href="#">EU RoHS Declaration</a>  |
| Mercury free               | Yes   |
| RoHS exemption information | <a href="#">Yes</a>   |
| China RoHS Regulation      | <a href="#">China RoHS Declaration</a>  |
| Environmental Disclosure   | <a href="#">Product Environmental Profile</a>   |
| WEEE                       | The product must be disposed on European Union markets following specific waste collection and never end up in rubbish bins.  |

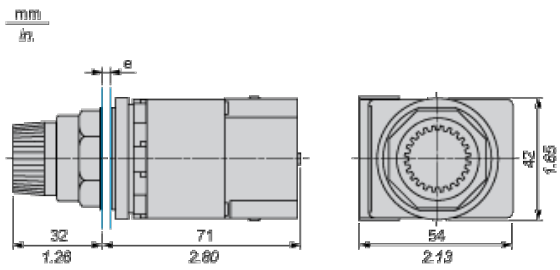
## Contractual warranty

---

|          |           |
|----------|-----------|
| Warranty | 18 months |
|----------|-----------|

---

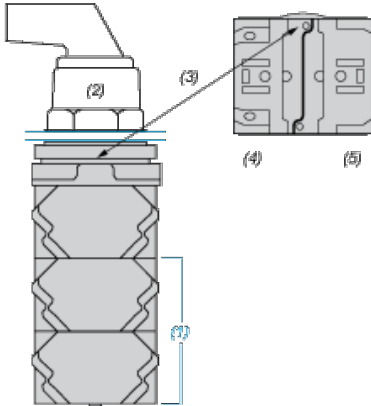
Dimensions



e panel thickness: 1 to 6 mm/ 0.04 to 0.24 in.

Contact Block Mounting Position

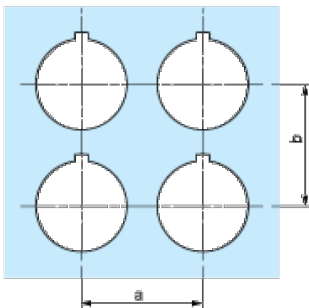
Top and Rear views



- (1) It is possible to mount up to 3 levels of contacts blocks (maximum of 6 contacts blocks)
- (2) Operator
- (3) Locating notch
- (4) Side 1
- (5) Side 2

Panel Cut-Out

Clearance



| Legend plate | a min. |      | b min. |      |
|--------------|--------|------|--------|------|
|              | mm     | in.  | mm     | in.  |
| 9001KN2••    | 57.2   | 2.25 | 44.5   | 1.75 |
| 9001KN3••    | 57.2   | 2.25 | 50.8   | 2.00 |

Individual Cut-outs Details

2 alternatives

