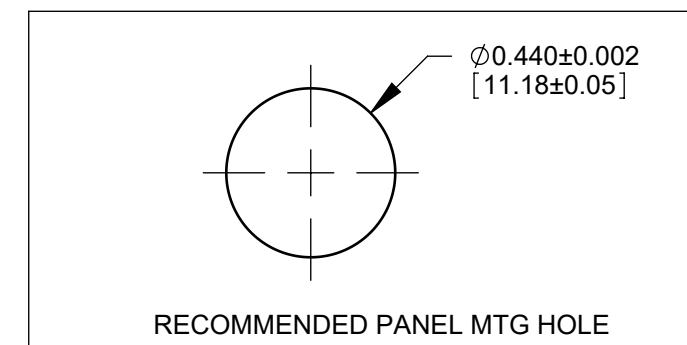
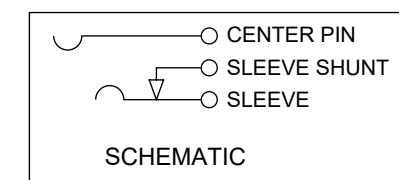
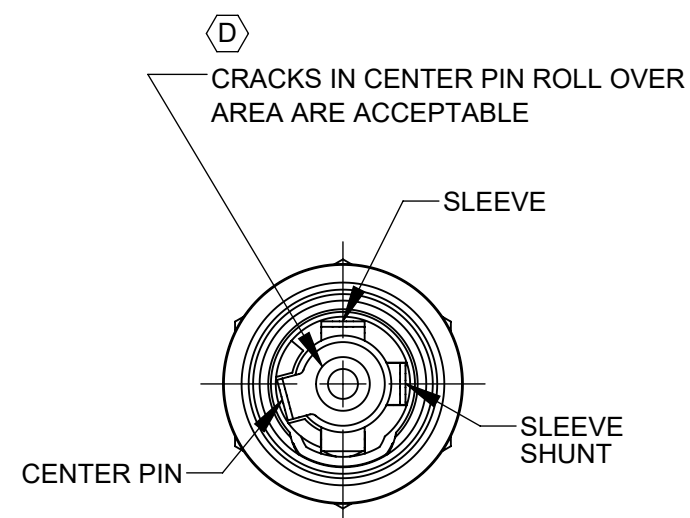
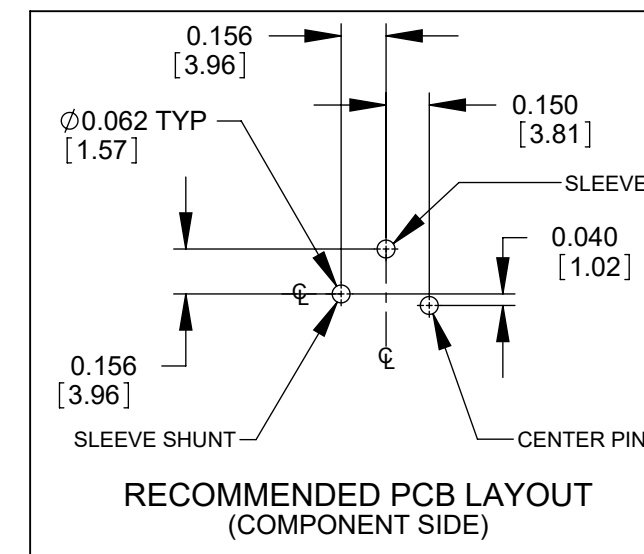
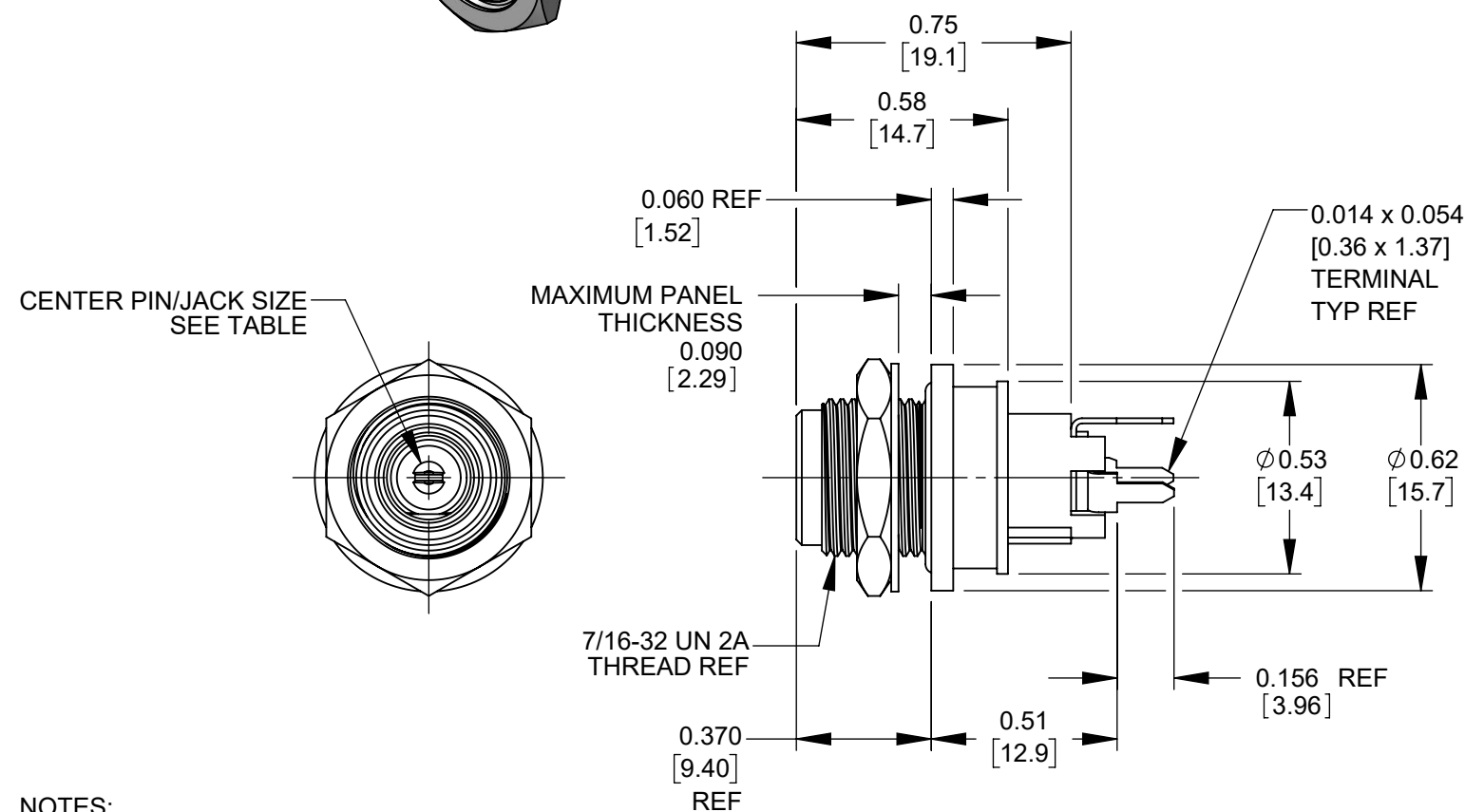


PART NUMBER	CENTER PIN Ø (JACK SIZE)	MATING POWER PLUG
PCL712ASH	0.10 (2.5 mm)	761KSH12, 761KSH15, 761KSH17
PCL722ASH	0.080 (2.0 mm)	S761KSH12, S761KSH15, S761KSH17



NOTES:

- HEX NUT, FLAT WASHER, AND PANEL O-RING SUPPLIED UNASSEMBLED
- DIMENSIONS SHOWN FOR REFERENCE ONLY.

3. MATERIAL:  
 HOUSINGS, HEX NUT - COPPER ALLOY, NICKEL PLATED  
 INSULATOR HOUSING - THERMOPLASTIC, BEIGE  
 O-RINGS - THERMOPLASTIC RUBBER, LUBRICATED WITH SYNTHETIC GREASE  
 TERMINAL INSULATORS - PHENOLIC  
 FLAT WASHER - COPPER ALLOY, NICKEL PLATED  
 PIN, SPRING, TERMINALS - COPPER ALLOY, SILVER PLATED

4. IT IS RECOMMENDED THAT THE JACK MOUNTING NUT BE TIGHTENED SNUG BY HAND BEFORE APPLYING A FINAL TIGHTENING TORQUE OF 8-10 LB-IN USING HAND TOOLS ONLY. POWER DRIVER OR IMPACT DRIVERS ARE NOT RECOMMENDED.

5. THIS PRODUCT IS RoHS COMPLIANT

REV	ECO NUMBER	DATE	BY	APVD
D	28397	06/11/21	PC	TJK
C	28350	12/22/20	PC	TJK
B	28079	09/20/18	PC	TJK
A	27941	09/06/17	PC	TJK

UNLESS OTHERWISE SPECIFIED  
 1. ALL DIMENSIONS IN INCHES [mm]  
 - TWO PLACE DECIMALS ±0.02 [0.5]  
 - THREE PLACE DECIMALS ±0.005 [0.13]

DO NOT SCALE DRAWING

THIS DRAWING DESCRIBES A DESIGN CONSIDERED PROPRIETARY IN NATURE, DEVELOPED AND MANUFACTURED BY SWITCHCRAFT INC. AND IS RELEASED ON A CONFIDENTIAL BASIS FOR IDENTIFICATION PURPOSES ONLY.									
SIZE	WIDTH	MULT	LBS/M	TEMPER					
FINISH SPEC No.					MATERIAL SPEC No.				
FIRST USED ON			SCALE 2:1						
DATE DRAWN	BY	CHKD	APVD						
6/28/16	PNK	PNK	SRC						
NAME SEALED HT POWER JACKS STRAIGHT PC, RoHS					PART No. PCL712ASH, PCL722ASH		REV D		

**CUSTOMER DRAWING**