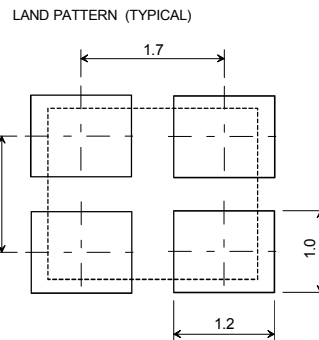
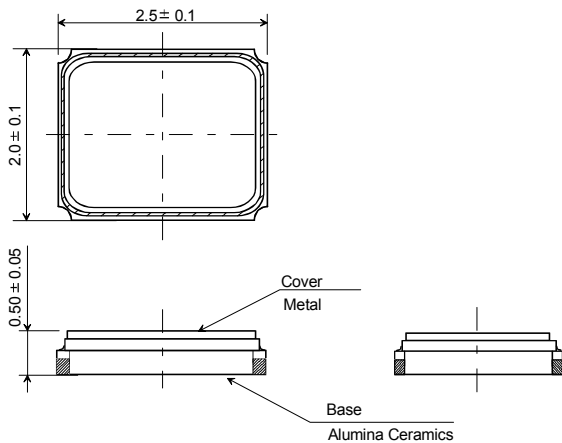


1	NDK Part Number	NX2520SA-16MHZ-EXS00A-CS05116
2	Chipset Maker	RENESAS
3	Application	zigbee
4	Chipset Name	R5F213M
5	NDK Specification Number	EXS00A-CS05116
6	Type	NX2520SA
7	Electrical Characteristics	
7.1	Nominal Frequency ( $f_{nom}$ )	16.000 MHz
7.2	Overtone order	Fundamental
7.3	Adjustment tolerance	$\pm 15 \times 10^{-6}$ max.
7.4	Tolerance over the temperature range	$\pm 15 \times 10^{-6}$ max. ( at -10 to +75 °C )
7.5	Equivalent Series Resistance ( $R_r$ )	80 $\Omega$ max.
7.6	Maximum Drive Level	200 $\mu$ W max.
8	Measurement Circuit	
8.1	Frequency Measurement	
8.1.1	Measuring Instrument	IEC $\pi$ -Network
8.1.2	Load Capacitance ( $C_L$ )	12 pF
8.1.3	Level of Drive	10 $\mu$ W
8.2	Equivalent Resistance Measurement	
8.2.1	Measuring Instrument	IEC $\pi$ -Network
8.2.2	Load Capacitance ( $C_L$ )	Series
8.2.3	Level of Drive	10 $\mu$ W
9	Operating Temperature Range	-10 to +75 °C
10	Storage Temperature Range	-40 to +85 °C

## 11 Dimension

(Unit: mm)



[TOP VIEW]  
TERMINAL LAND CONNECTIONS

