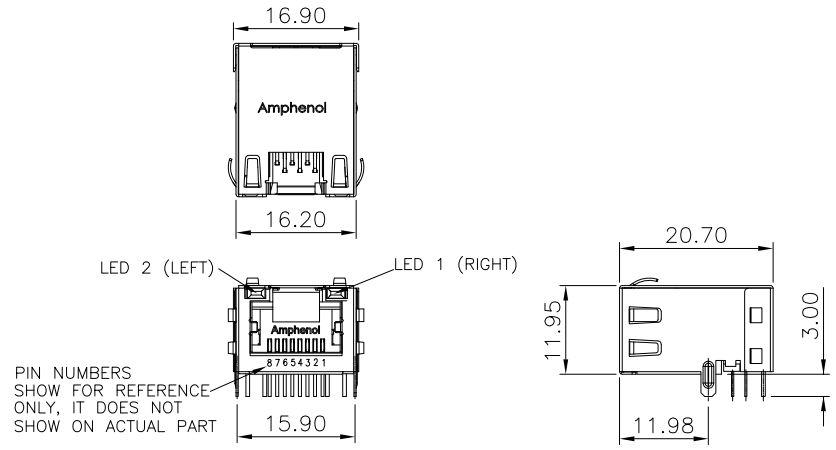
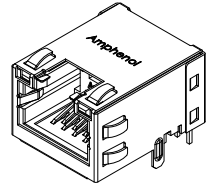
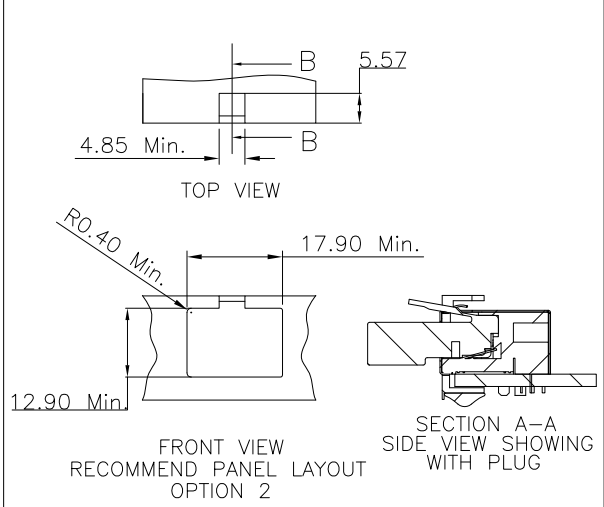
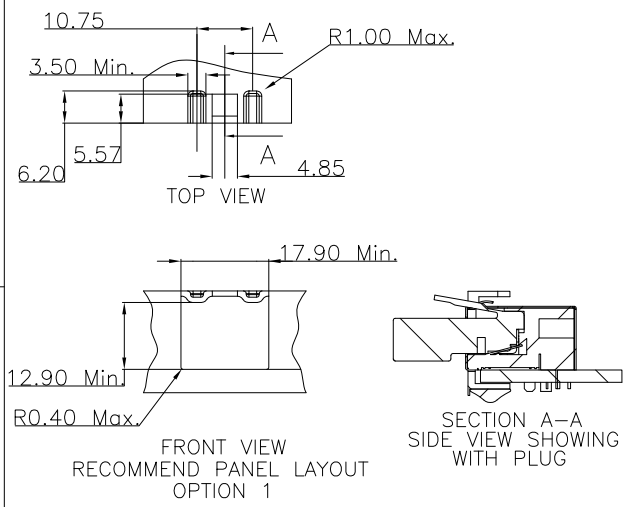


REVISIONS			
REV	ECN, ERN NO.	DATE	APPRD.
A	PROPOSAL DRAWING	JUL17/13	A.G.

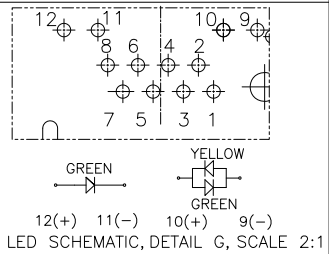
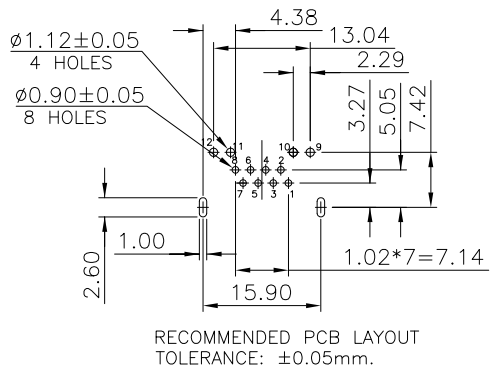


- NOTES:
ELECTRICAL:
 1. VOLTAGE RATING : 125 VAC.
 2. CURRENT RATING : 1.25 AMP.
 3. INSULATING RESISTANCE : 500 MEGOHMS MINIMUM.
 4. DIELECTRIC STRENGTH : 1000 VAC 60Hz, 1MIN.
 5. CATEGORY 5E CHARACTERISTIC:

FREQUENCY MHz	NEAR-END CROSSTALK dB, MIN.	RETURN LOSS dB, MIN.	ATTENUATION dB, MAX.
1.0	65	30	0.1
4.0	65	30	0.1
8.0	64.9	30	0.1
10.0	63	30	0.1
16.0	58.9	30	0.2
20.0	57	30	0.2
25.0	55	30	0.2
31.25	53.1	30	0.2
62.5	47.1	24.1	0.3
100.0	43	20	0.4



- MECHANICAL:**
 1. SHIELD : STAINLESS STEEL, WITH TIN-DIP ON SOLDER TABS.
 2. HOUSING : HIGH TEMP THERMOPLASTIC, UL 94V-0.
 3. INSERT : HIGH TEMP THERMOPLASTIC UL 94V-0.
 4. PCB : FR-4.
 5. CONTACT : PHOSPHOR BRONZE.
 30u" SELECTIVE GOLD PLATING FOR MATING SURFACE,
 50u" NICKEL UNDERPLATE
 100u" MATTE TIN PLATING ON CONTACT SOLDER TAIL.
- ENVIRONMENTAL:**
 1. STORAGE : -40° TO +85°.
 2. OPERATION : -40° TO +85°.
 MATES WITH MODULAR PLUG CONFORMING TO FCC PART 68, SUBPART F.
 RECOMMENDED SOLDER PROCESS: WAVE SOLDER, PEAK TEMPERATURE 260° FOR 10 SECOND.



AMPHENOL PART NUMBER: RJE48-188-1XX1
 GOLD PLATING OPTION: _____ REFER TO LED OPTIONS DRAWING
 1=6u" [0.15 MICRONS] GOLD PLATING P-RJE48-LEDS FOR ORDERING CODES
 2=15u" [0.38 MICRONS] GOLD PLATING
 3=30u" [0.76 MICRONS] GOLD PLATING
 4=50u" [1.27 MICRONS] GOLD PLATING

LED SPECIFICATIONS:
 FORWARD VOLTAGE: 2.2 VOLTS TYP
 REVERSE VOLTAGE: 5.0 VOLTS
 LUMINOUS INTENSITY: 4 mcd MIN. (AT IF =20mA)

UNLESS OTHERWISE SPECIFIED DIMENSION ARE IN mm FRACTION DECIMALS ANGLES		DRAWN B.COPPING	DATE JUL17/13
.X ±0.50	.X° ±3.0°	DESIGNED	
.XX ±0.30	.X° ±2.0°	CHECKED A.GREEN	JUL17/13
.XXX ±0.10	.XX° ±1.0°	I. E. APPRD.	
		Q. A. APPRD.	
		DWG. APPRD.	
		ENG. REL. NO.	
		REF.	
		DIMENSIONS ARE IN mm	CODE ID. NO. 03554

Amphenol Canada Corp.

TITLE: MODULAR JACK, SINGLE PORTS, 8 POSITIONS, 8 CONTACTS, SHIELDED WITH TOP & SIDE TABS, WITH LED, TAB UP, CAT5E

DWG. DRAWING NO. P-RJE48-188-1XX1

SCALE 4/1 WT. SURF. SHEET 1 OF 1

THIS DOCUMENT CONTAINS PROPRIETARY INFORMATION AND SUCH INFORMATION MAY NOT BE DISCLOSED TO OTHERS FOR ANY PURPOSE OR USED FOR MANUFACTURING PURPOSES WITHOUT WRITTEN PERMISSION FROM AMPHENOL CANADA CORP.

