

ARCA 302015 No MP



Sample image

Order symbol: ARCA 302015 No MP

EAN: 6418074089335

Product nbr: 8120002N

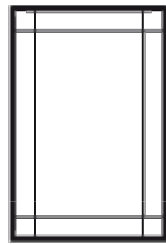
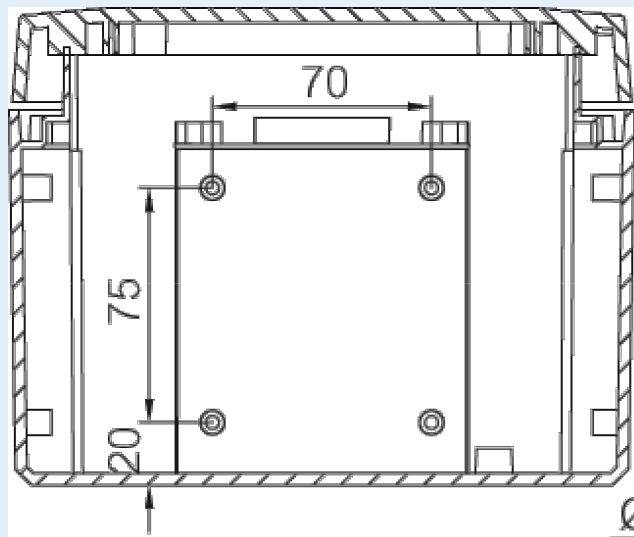
El. number:

Description: Cabinet. PC

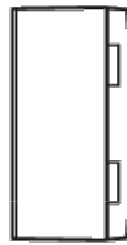
- Finland:
- Denmark:
- Sweden:

Remarks: Grey cover. 1-point locking. hinges on the long side

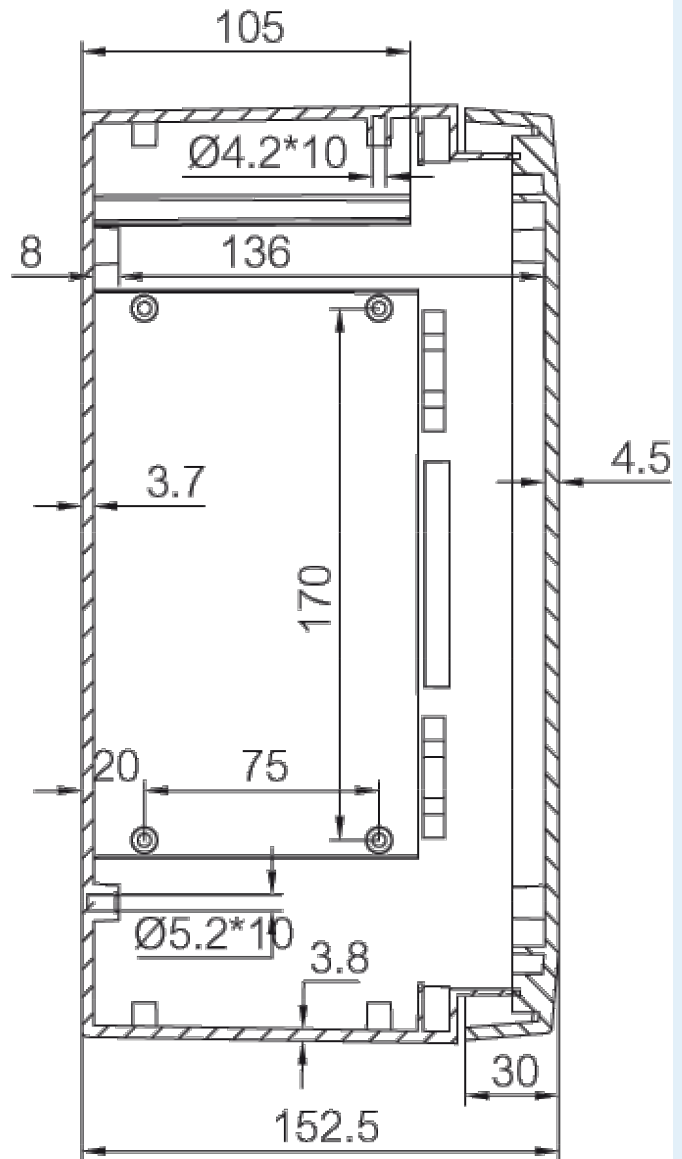
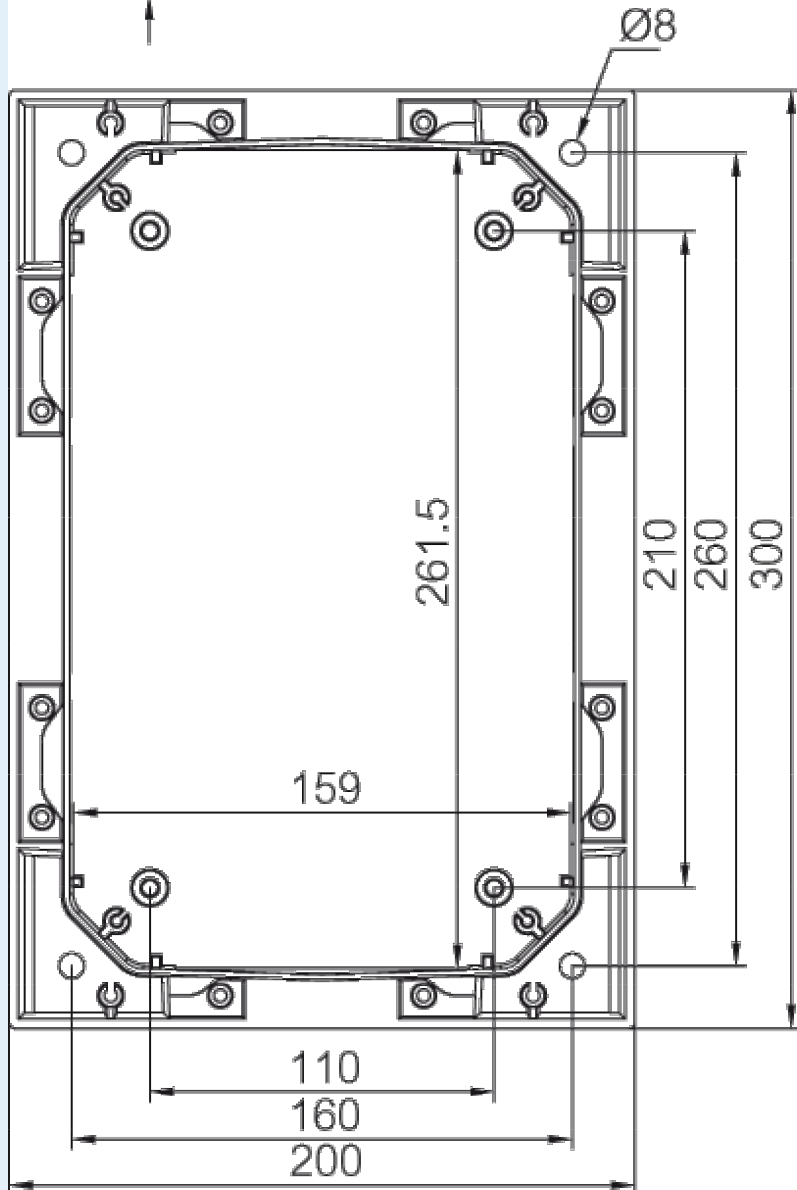
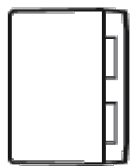
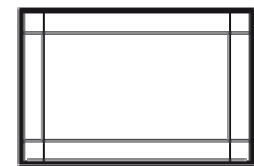
Including: Cabinet base. door with PUR gasket. 3mm double bit lock(s) with key. S versions with swinghandle 2-point locking system. Door guide included.



3020



2030



302015

Dimensions:	Height	Width	Depth
mm:	300	200	150
inch:	11.81	7.87	6.22

Accessories:

MPP ARCA 3020 Mounting plate perforated (250x150x2 mm - 26x11 mm) (250 x 150 x 2)

DRS ARCA 302015 DIN rail frame set (285 x 185 x 35)

Materials:

Material:	Polycarbonate
Base colour:	RAL 7035 -light grey
Cover colour:	RAL 7035 -light grey
Gasket material:	Polyurethane

Temperatures:

Temperature °C (short term)::	-40 ... 120
Temperature °C (continuous):	-40 ... 80
Temperature °F (short term):	-40 ... 250
Temperature °F (continuous):	-40 ... 175

MPMP ARCA 3020	Mounting plate multiperforated (250x150x2 mm - ø3.6 mm) (250 x 150 x 2)
SBK ARCA 20	Support bar kit (140 x 40 x 30)
PMK ARCA 20	PoleMounting kit. for pole ø100-300mm (385 x 285 x 35)
RCS ARCA 3020	Rain canopy set for size 3020 (20 x 200 x 30)
MPS ARCA 3020	Mounting plate (250x150x2 mm) (250 x 150 x 2)
SBK ARCA 30	Support bar kit (235 x 40 x 30)
IDS ARCA 3020	Inner door set (285 x 185 x 35)
MPX ARCA 3020	Mounting plate (250x150 mm) (250 x 150 x 5)

Rating:

Ingress protection (EN 60529):	IP66;
Impact Resistance (EN 62262):	IK10;
Electrical insulation:	Totally insulated
Halogen free (DIN/VDE 0472, Part 815):	1
UV resistance:	UL 508
Flammability Rating:	UL 94 5VA
Glow Wire Test (IEC 695-2-1) °C:	960 °C
NEMA Class	NEMA 1, 4, 4X, 12 and 13

Certificates:

Certificate FI 40467