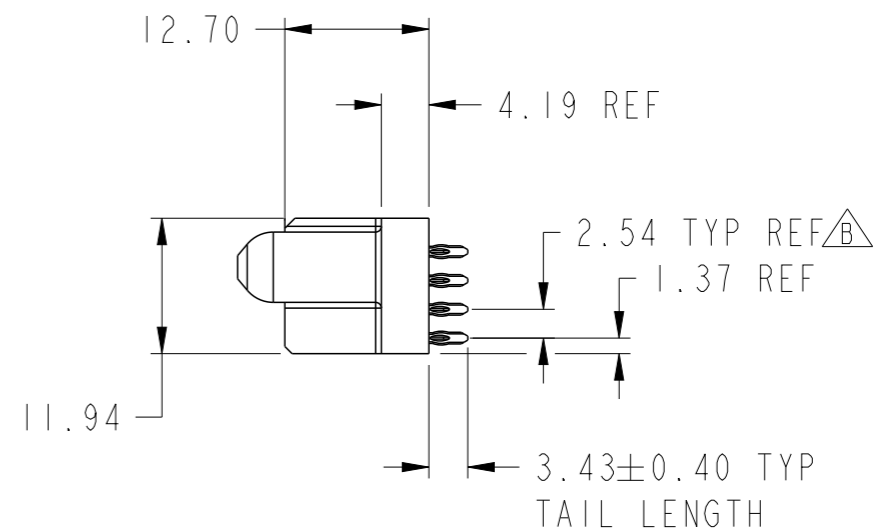
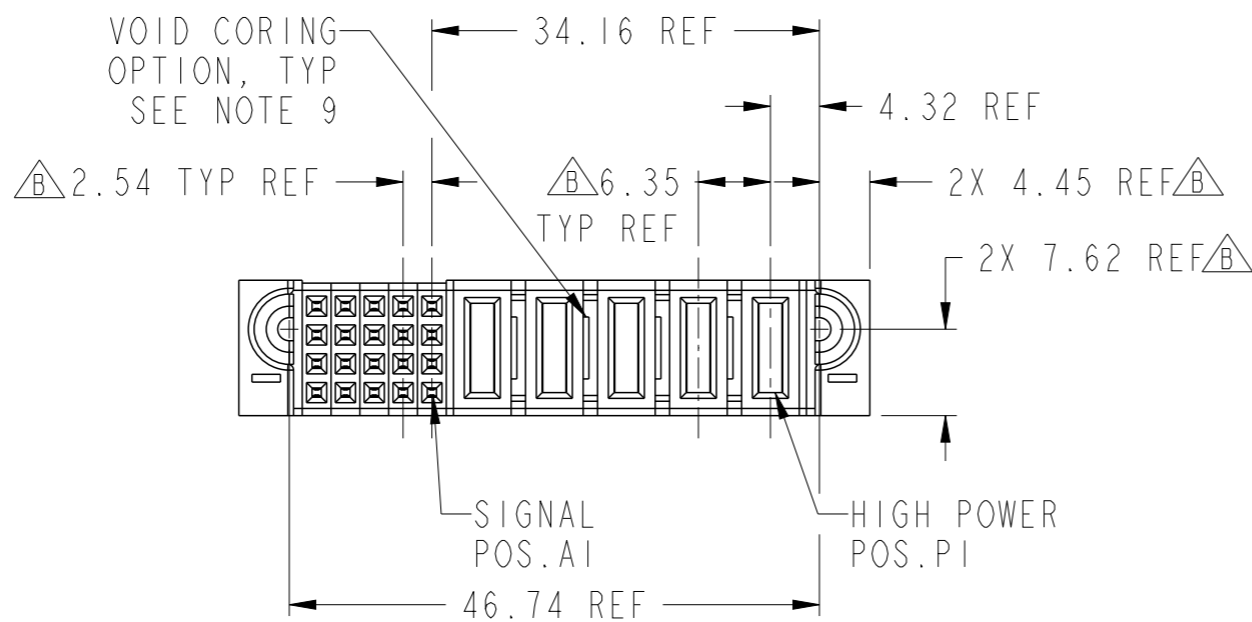
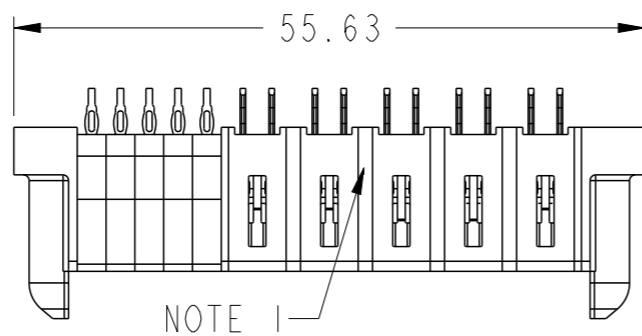
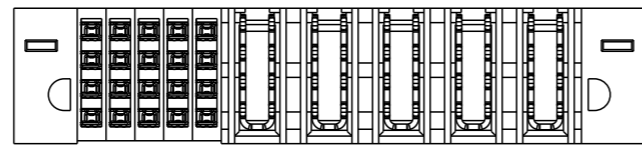


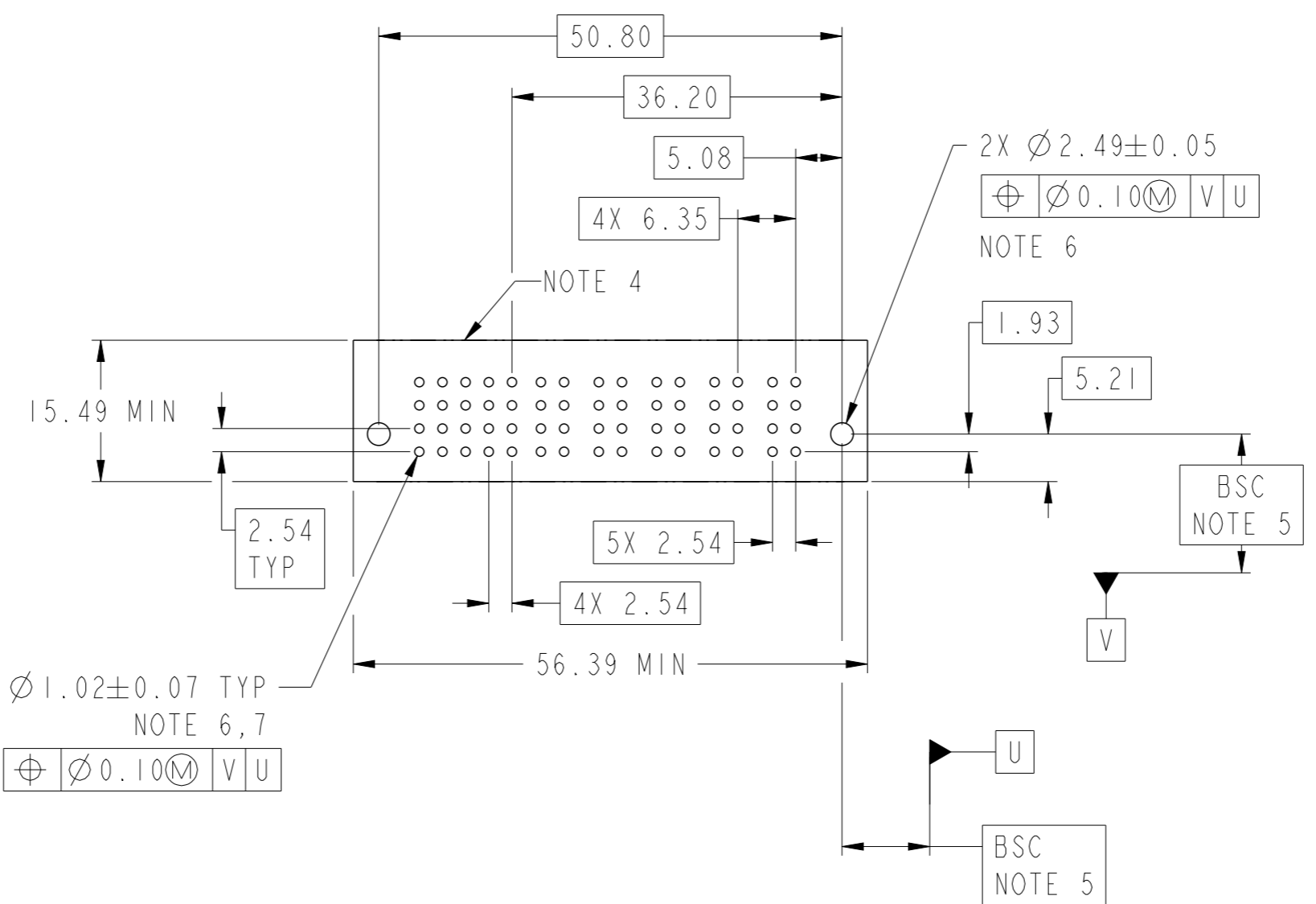
PART NUMBER 10106131-5005001LF



spec ref -		dr Peng-Bing Fu	2012/03/31	projection	mm	size A3	scale 3:2
tolerance std ISO 406 ISO 1101		eng Peng-Bing Fu	2012/11/12			ecn no ELX-DG-013146-1	rel level Released
TOLERANCES UNLESS OTHERWISE SPECIFIED		chr Tian-Xu Huang	2012/11/13				
surface -		appr Pei-Ming Zheng	2012/11/13	product family PwrBlade+	rev B		
ISO 1302	linear	0.X	±0.50		5HP + 20S		dwg no 10106131-5005001
		0.XX	±0.25		VERTICAL PF RECEPTACLE		
		0.XXX	±0.10		cat. no. -		
angular	0°	±2°	www.fci.com	Product - Customer Drw		sheet 1 of 3	

PRODUCT NUMBER	ROWS	SIGNAL					POWER				
		5	4	3	2	1	P5	P4	P3	P2	P1
10106131-5005001LF	D	S	S	S	S	S	H	H	H	H	H
	C	S	S	S	S	S					
	B	S	S	S	S	S					
	A	S	S	S	S	S					

CODE	DESCRIPTION
H	STD HIGH POWER CONTACT
HI	MFBL HIGH POWER CONTACT
S	STD SIGNAL CONTACT



Copyright FCI.

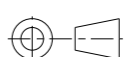


dr	Peng-Bing Fu	2012/03/31	projection	mm	size	A3	scale	3:2
eng	Peng-Bing Fu	2012/11/12			ecn no	ELX-DG-013146-1		
chr	Tian-Xu Huang	2012/11/13				product family	PwrBlade+	rel level
appr	Pei-Ming Zheng	2012/11/13			title	5HP + 20S		rev
www.fci.com			cat. no.		-		Product - Customer Drw	
			dwg no		10106131-5005001		sheet 2 of 3	
			rev		B			

NOTES:

- 1) "FCI", PART NUMBER AND DATE CODE TO BE MARKED ON THIS SURFACE.  
THE P/N CAN BE OMITTED IF THERE IS NOT ENOUGH SPACE ON THIS SURFACE.
- 2) MATERIALS:  
-HOUSING - GLASS FILLED WITH HIGH TEMP THERMOPLASTIC, UL94V-0.  
-SIGNAL CONTACT - COPPER ALLOY.  
-POWER CONTACT - HIGH CONDUCTIVITY COPPER ALLOY.
- 3) PLATING SPECIFICATION REFER TO FCI 10116351.
- 4) DENOTES CONNECTOR KEEP OUT ZONE.
- 5) DATUM AND BASIC DIMENSIONS WERE ESTABLISHED BY CUSTOMER.
- 6) ALL HOLE DIAMETERS ARE FINISHED HOLE SIZES.
- 7)  $1.15 \pm 0.025$ MM DRILLED HOLE PLATED WITH 0.00762MM MIN Sn  
OVER 0.0254-0.0762MM Cu PLATING TO ACHIEVE A  $1.02 \pm 0.07$ MM HOLE.
- 8) PRODUCT SPECIFICATION REFER TO FCI GS-12-658.  
APPLICATION SPECIFICATION REFER TO FCI GS-20-141.  
PRODUCT PACKAGED IN TRAYS, REFER TO FCI GS-14-1502.
- 9) THE VOID CORING IN BETWEEN POWER MODULES, SIGNAL  
MODULES AND END MODULES ARE OPTIONAL AND THE SHAPE  
MAY BE DIFFERENT FOR OPTIMIZE THE MOLDING PROCESS. THE  
VOID CORING WILL NOT EFFECT TO PRODUCT FUNCTION.
- 10) A  $\triangle B$  SYMBOL WILL BE NEXT TO ANY DIMENSION, VIEW, OR NOTE  
WHICH HAS BEEN MODIFIED WITH THE CURRENT DRAWING REVISION.



Copyright FCI.

dr	Peng-Bing Fu	2012/03/31			size	A3	scale	3:2	
eng	Peng-Bing Fu	2012/11/12			ecn no	ELX-DG-013146-1			
chr	Tian-Xu Huang	2012/11/13			product family	PwrBlade+	rel level	Released	
appr	Pei-Ming Zheng	2012/11/13							
		title 5HP + 20S VERTICAL PF RECEPTACLE			dwg no 10106131-5005001	rev B			
www.fci.com		cat. no.	-		Product - Customer Drw		sheet 3 of 3		