



Connectors > Power Connectors > Rectangular Power > Rectangular Power Connectors



Rectangular Power Connector Type: **Housing**

Connector & Housing Type: **Plug**

Connector System: **Wire-to-Wire**

Number of Positions: **4**

Centerline (Pitch): **6.35 mm [.25 in]**

Features

Product Type Features

Rectangular Power Connector Type	Housing
Connector & Housing Type	Plug
Connector System	Wire-to-Wire
Sealable	No
Connector & Contact Terminates To	Wire & Cable

Configuration Features

Number of Positions	4
Number of Power Positions	0
Number of Signal Positions	0
Number of Rows	1

Electrical Characteristics

Operating Voltage	600 VAC
-------------------	---------

Contact Features

Multiple Contact Types	Without
Contact Layout	Inline
Contact Retention Within Housing	Without
Contact Type	Socket

Termination Features



Termination Method to Wire & Cable	Crimp
------------------------------------	-------

Mechanical Attachment

Connector Mounting Type	Cable Mount (Free-Hanging)
-------------------------	----------------------------

Housing Features

Centerline (Pitch)	6.35 mm [.25 in]
--------------------	------------------

Housing Color	Natural
---------------	---------

Housing Material	PA 66
------------------	-------

Dimensions

	.03 – .09 in
--	--------------

Usage Conditions

Operating Temperature Range	-55 – 125 °C [-67 – 257 °F]
-----------------------------	-----------------------------

Operation/Application

Circuit Application	Power & Signal
---------------------	----------------

Industry Standards

CSA Rating	Certified, LR 7189
------------	--------------------

UL Rating	Recognized
-----------	------------

Agency/Standard	CSA, UL, VDE
-----------------	--------------

Approved Standards	UL E28476
--------------------	-----------

UL Flammability Rating	UL 94V-0
------------------------	----------

Glow Wire Rating	GWT 750°C (Without Flame)
------------------	---------------------------

Packaging Features

Packaging Quantity	1200
--------------------	------

Packaging Method	Bag
------------------	-----

Product Compliance

[For compliance documentation, visit the product page on TE.com>](#)

EU RoHS Directive 2011/65/EU	Compliant
------------------------------	-----------

EU ELV Directive 2000/53/EC	Compliant
-----------------------------	-----------

China RoHS 2 Directive MIIT Order No 32, 2016	No Restricted Materials Above Threshold
---	---

EU REACH Regulation (EC) No. 1907/2006	Current ECHA Candidate List: JUNE 2023 (235) Candidate List Declared Against: JAN 2023 (233)
--	---



Does not contain REACH SVHC

Halogen Content

Not Low Halogen - contains Br or Cl > 900 ppm.

Solder Process Capability

Not reviewed for solder process capability

Product Compliance Disclaimer

This information is provided based on reasonable inquiry of our suppliers and represents our current actual knowledge based on the information they provided. This information is subject to change. The part numbers that TE has identified as EU RoHS compliant have a maximum concentration of 0.1% by weight in homogenous materials for lead, hexavalent chromium, mercury, PBB, PBDE, DBP, BBP, DEHP, DIBP, and 0.01% for cadmium, or qualify for an exemption to these limits as defined in the Annexes of Directive 2011/65/EU (RoHS2). Finished electrical and electronic equipment products will be CE marked as required by Directive 2011/65/EU. Components may not be CE marked. Additionally, the part numbers that TE has identified as EU ELV compliant have a maximum concentration of 0.1% by weight in homogenous materials for lead, hexavalent chromium, and mercury, and 0.01% for cadmium, or qualify for an exemption to these limits as defined in the Annexes of Directive 2000/53/EC (ELV). Regarding the REACH Regulation, the information TE provides on SVHC in articles for this part number is based on the latest European Chemicals Agency (ECHA) 'Guidance on requirements for substances in articles' posted at this URL: <https://echa.europa.eu/guidance-documents/guidance-on-reach>

Compatible Parts



TE Part # 926298-3
04P UNIV.M-N-L.PLUG



TE Part # 1586845-1
04P UMNL CAP HSG NATL, GW



TE Part # 926305-6
UNML4WAY CAP



TE Part # 926305-7
4P UNIV M-N-L CAP



TE Part # 2-480703-0
04P UMNL CAP HSG NATL



TE Part # 794707-1
04P UMNL CAP HSG,BLACK




TE Part # 926298-6
UNML PLUG 4WAY




TE Part # 926305-1
4P UNIV M-N-L CAP

Also in the Series | Universal MATE-N-LOK




Circular Power Connectors(2)



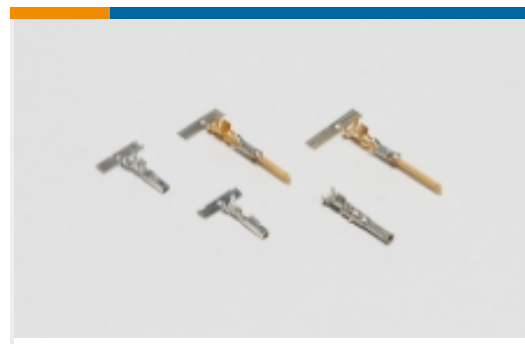
Connector Contacts(7)



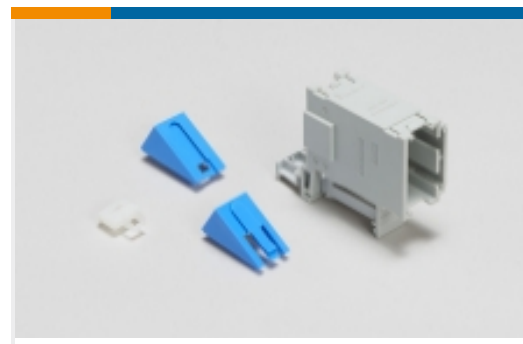
Connector Strain Relief(34)



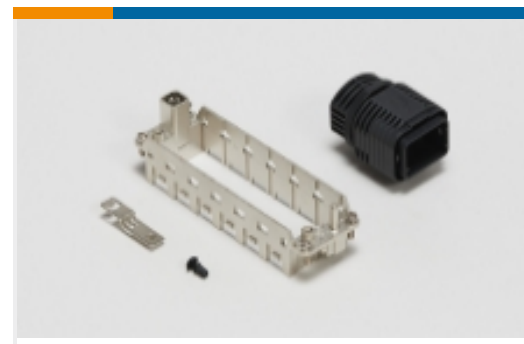
Insertion & Extraction Tools(4)



Power Contacts(201)



Rectangular Connector Adapters(7)



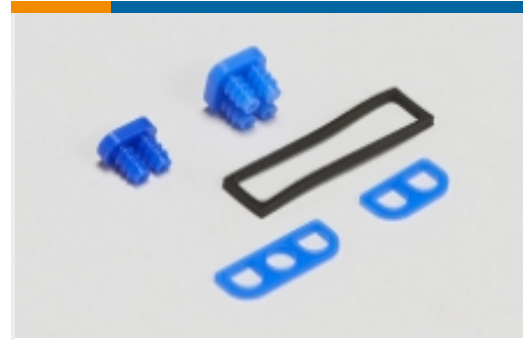
Rectangular Connector Hardware(1)



Rectangular Connector Housings(1)



Rectangular Connector Keying Plugs(3)



Rectangular Connector Seals(26)



Rectangular Power Connectors(662)

Customers Also Bought



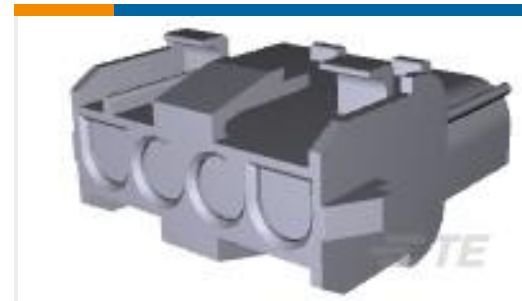
TE Part #1-2132781-2
12P EP-II HOUSING, NATURAL



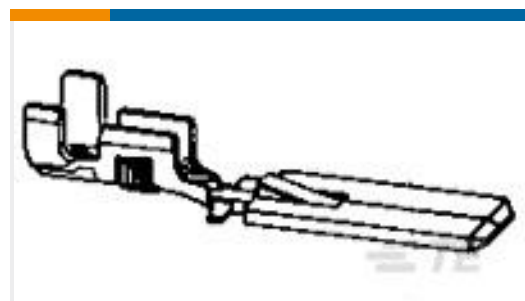
TE Part #1-1863003-2
UMNL 9WAY PLUG HOUSING



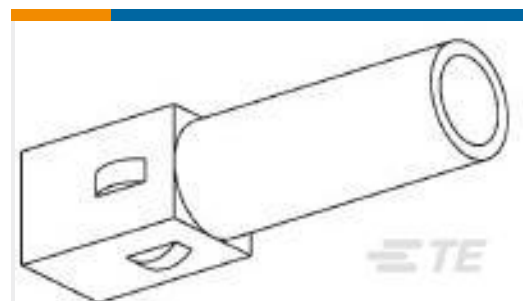
TE Part #2178473-2
3POS UMNL PLUG HSG V0 GW



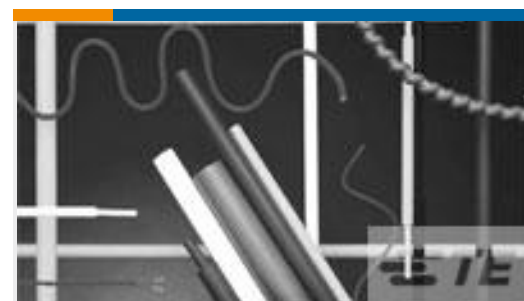
TE Part #926305-7
4P UNIV M-N-L CAP



TE Part #160174-2
FF 110 TAB 22-20AWG TPBR



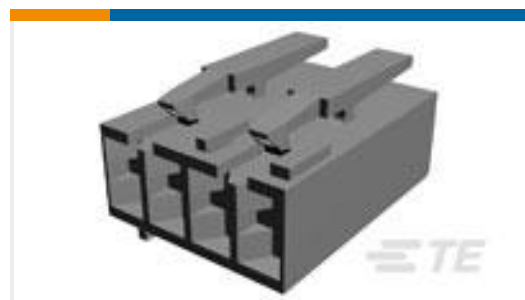
TE Part #1863011-1
01P UMNL PLUG HSG



TE Part #8134334001
CGPT-39/13-0-SP



TE Part #1863012-1
01P UMNL CAP HSG



TE Part #1241959-4
STD-TIM HSG MKII 4P



TE Part #2178474-2
3POS UMNL CAP HSG V0 GW

Documents



Product Drawings

UNIVERSAL MATE-N-LOK 4 WAY PLUG

English

CAD Files

3D PDF

3D

Customer View Model

[ENG_CVM_CVM_926298-7_A.2d_dxf.zip](#)

English

Customer View Model

[ENG_CVM_CVM_926298-7_A.3d_igs.zip](#)

English

Customer View Model

[ENG_CVM_CVM_926298-7_A.3d_stp.zip](#)

English

By downloading the CAD file I accept and agree to the [Terms and Conditions](#) of use.

Datasheets & Catalog Pages

Glow Wire, V-0 Universal MATE-N-LOK Connector Housings Flyer

English

Product Specifications

Application Specification

German

Product Environmental Compliance

[MD_926298-7_05152015257_dmtec](#)

English

[MD_926298-7_05152015257_dmtec](#)

English

Instruction Sheets

Instruction Sheet (U.S.)

English

Agency Approvals

VDE Certificate

English