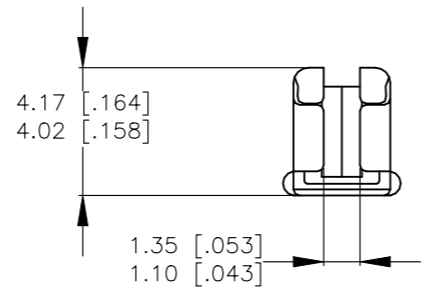
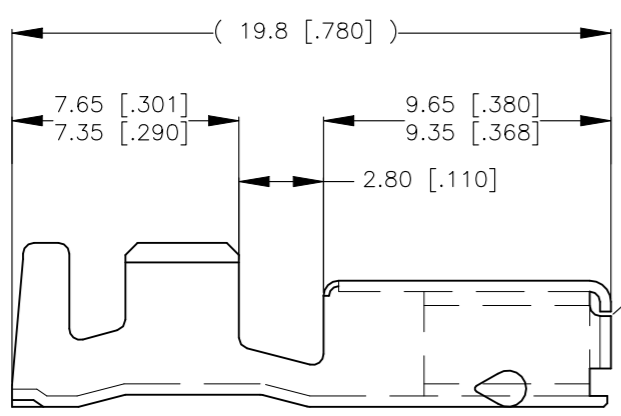
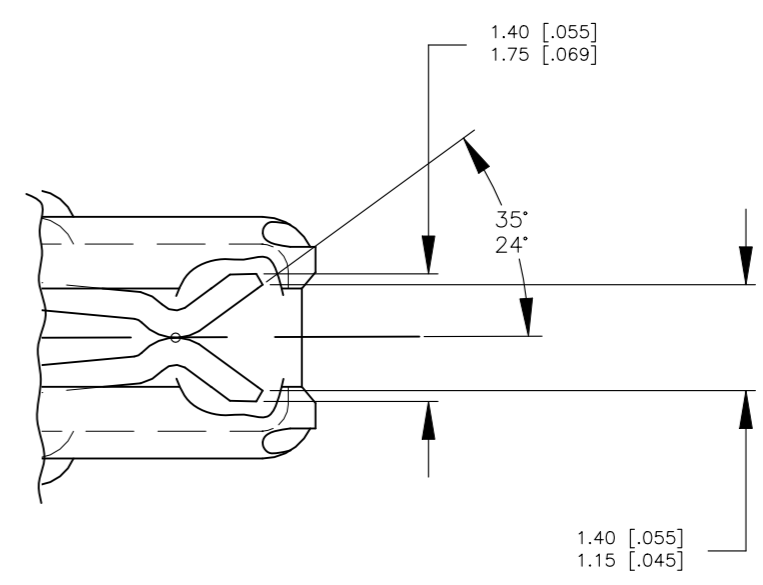
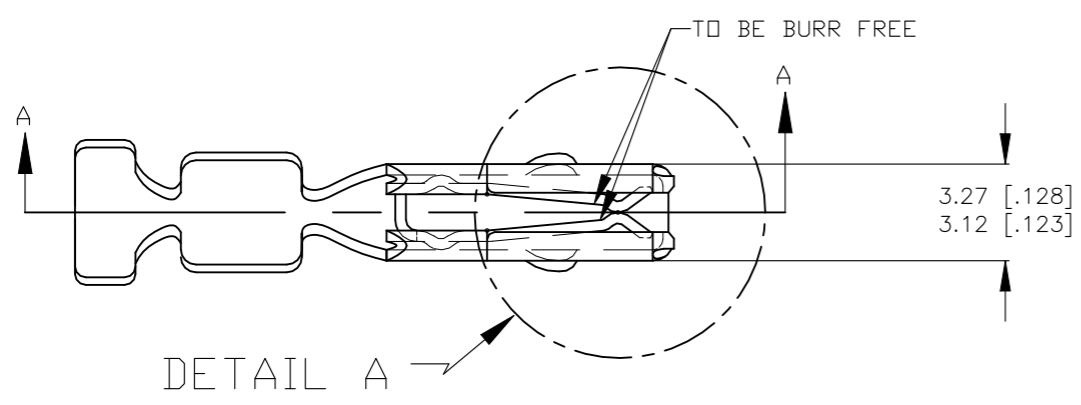
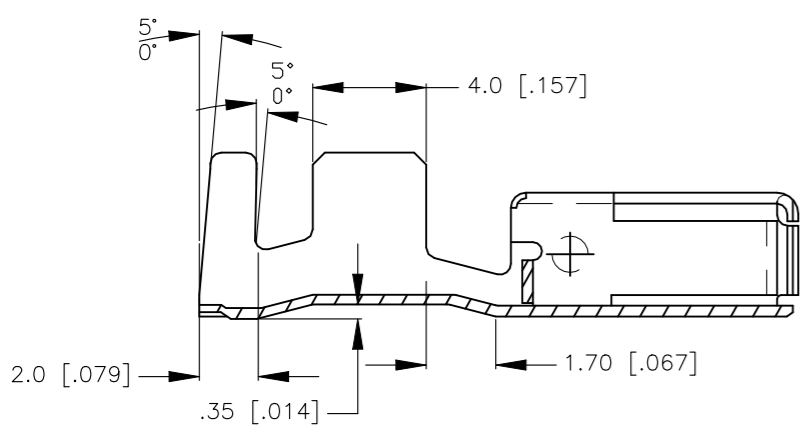


REVISIONS					
P	LTR	DESCRIPTION	DATE	DWN	APVD
	0	EC OKTB-0010-03	09MAY03	JRB	DMR
	A	REVISED PER ECO-20-012417	11SEP2020	AP	WW
	A1	REVISED PER ECN-22-170703	19OCT2022	AP	AB



DETAIL A



SECTION A-A

OBSOLETE	1438236-4		13
	1438236-3	-	12
	1438236-2	1438236-5	18
OBSOLETE	1438236-1	-	14
	TYCO P/N	TYCO P/N REWOUND	GRIP CODE

THIS DRAWING IS A CONTROLLED DOCUMENT.		DWN	09 MAY 2003		 TE Connectivity	
		CHK	09 MAY 2003			
		APVD	09 MAY 2003			
		DM REVAK	DM REVAK			
DIMENSIONS:		TOLERANCES UNLESS OTHERWISE SPECIFIED:		NAME		
mm				TERMINAL - WIRING		
		0 PLC	± -	FEMALE		
		1 PLC	± -			
		2 PLC	± 0.30	1 PLC		
		3 PLC	± -			
MATERIAL		FINISH		SIZE		
-		-		A3		
				CAGE CODE		
				00779		
				DRAWING NO		
				C-1438236		
				RESTRICTED TO		
				-		
		WEIGHT		SCALE		
		0.000000		5:1		
		CUSTOMER DRAWING		SHEET		
				1 OF 1		
				REV		
				A1		