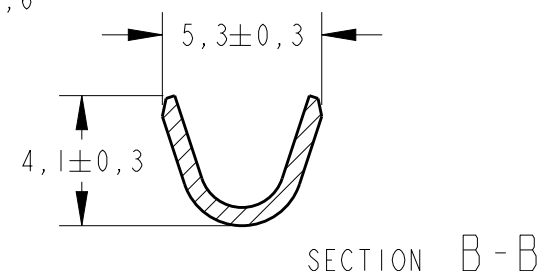
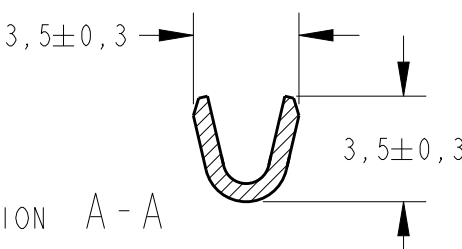
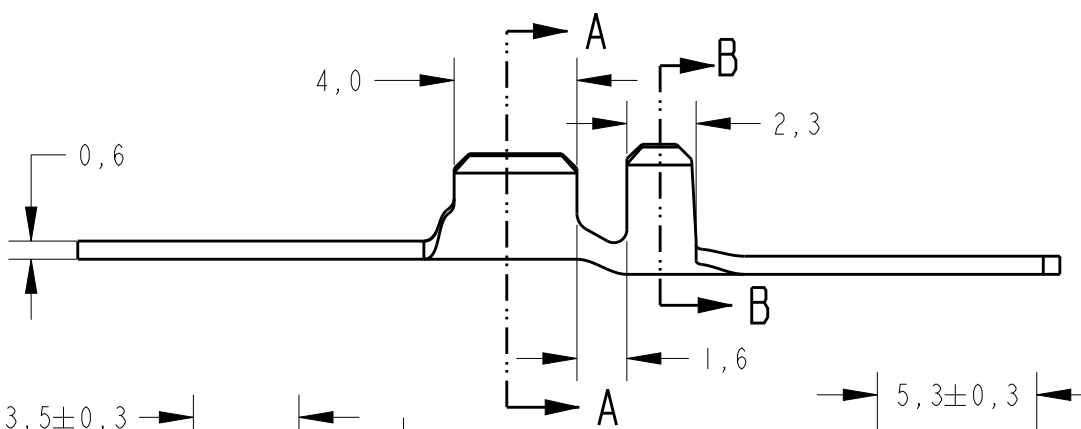
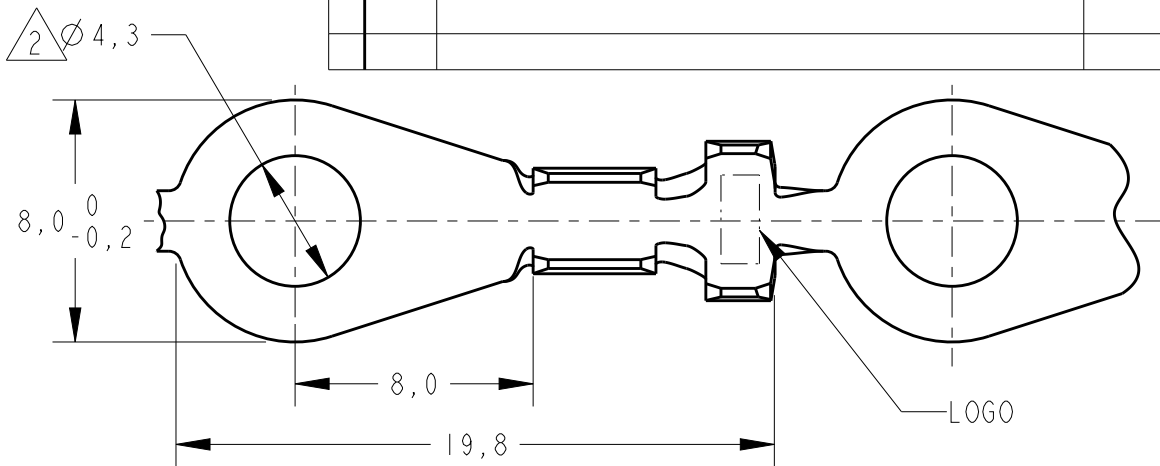


REVISIONS					
P	LTR	DESCRIPTION	DATE	DWN	APVD
	L2	REDRAWN AND REV. BY ECO16-005813	30JUN2016	HC	WLS



- ① - REELED WITH PAPER INTERLEAVE
- ② -  $\varnothing 4,3$ mm. FOR M4 HOLE.  
3-FOR STD CABLE: INS.  
CRIMPER "F" ( $\varnothing 1,78-3,06$ mm.)  
FOR THIN WALL CABLE INS.  
CRIMPER "OV" ( $\varnothing 1,3-1,6$ mm)

**OBSOLETE**

TIN-PLATED	BRASS	626028-4	①
—	PH. BRONZE	626028-3	
TIN-PLATED	BRASS	626028-2	
—	BRASS	626028-1	
FINISH	MATERIAL	PART NUMBER	

WIRE RANGE 0,5-1,5mm<sup>2</sup>  
INSUL. RANGE  $\varnothing 1,8-3,0$ mm

20  
RELEASED FOR PUBLICATION  
ALL RIGHTS RESERVED.  
BY -  
COPYRIGHT 20

DIMENSIONS: mm		DWN H.C.CANTERI 30JUN2016	MATERIAL SEE TABLE	FINISH SEE TABLE
TOLERANCES UNLESS OTHERWISE SPECIFIED:		CHK W.L.STEFANI 30JUN2016	<b>TE</b> TE Connectivity	
0 PLC	±-	APVD -		
1 PLC	±0,4	PRODUCT SPEC -	NAME RING TONGUE	
2 PLC	±-	APPLICATION SPEC -		
3 PLC	±-	WEIGHT -	SIZE A4	CAGE CODE -
4 PLC	±-		DRAWING NO C-626028	RESTRICTED TO -
ANGLES	±-		SCALE 4:1	SHEET 1 OF 1
		CUSTOMER DRAWING		REV L2