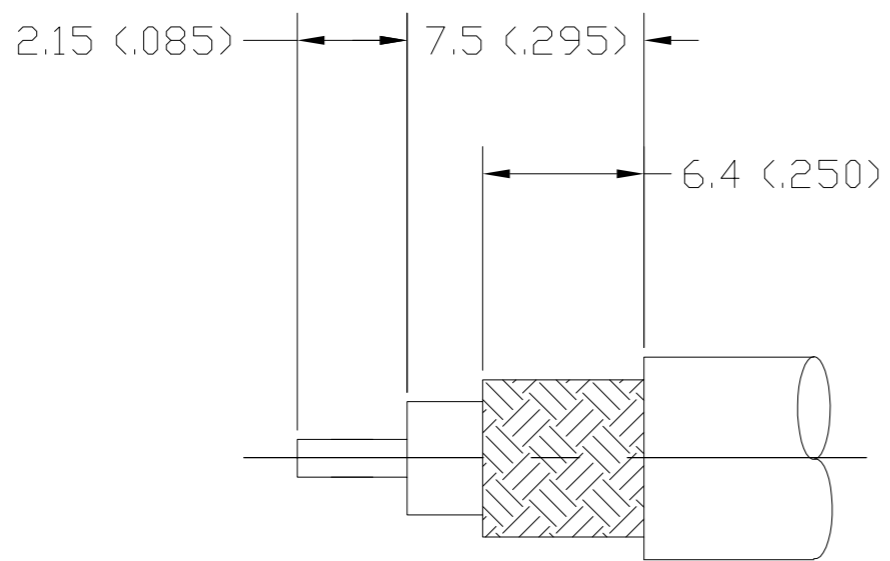
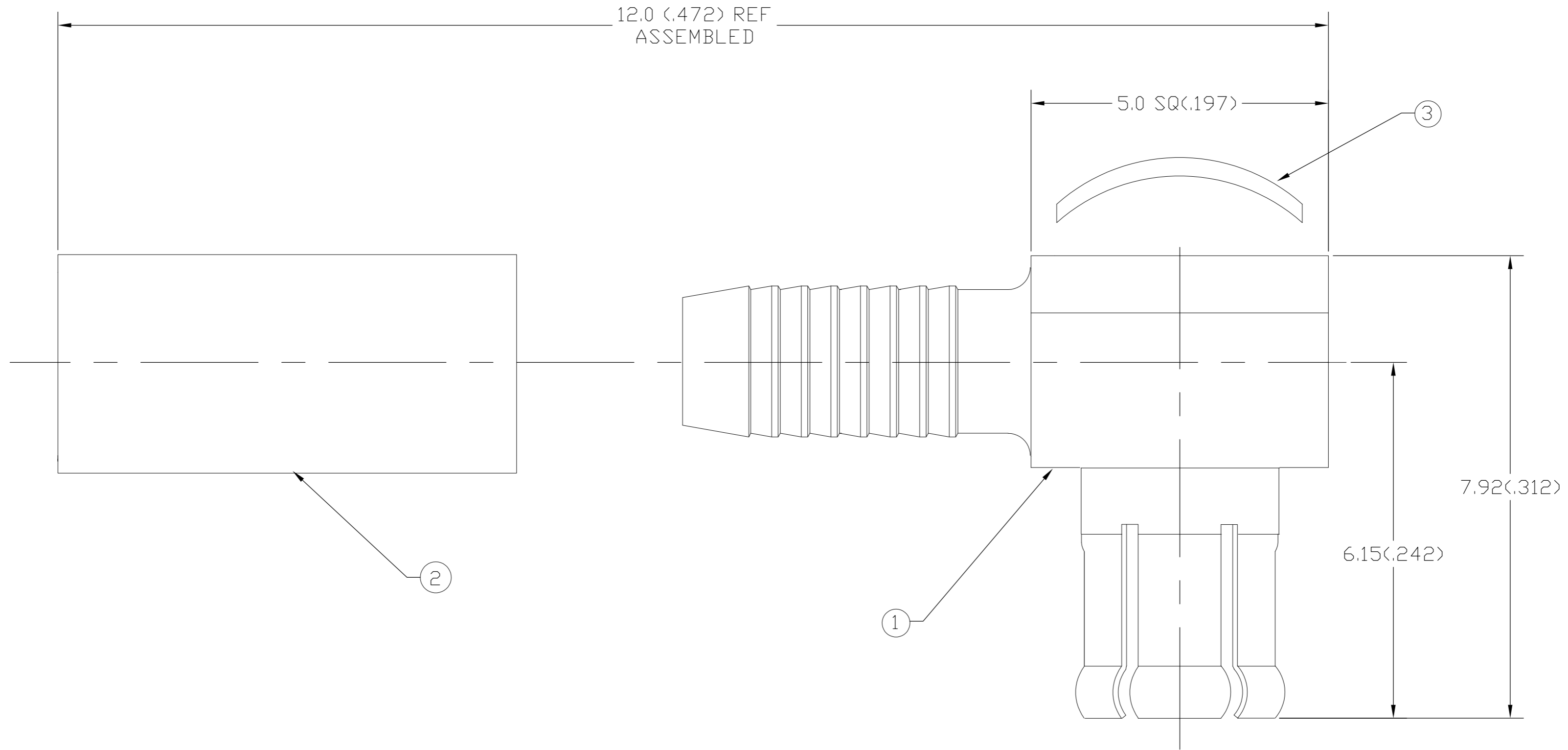


THIS DRAWING IS UNPUBLISHED. RELEASED FOR PUBLICATION
 © COPYRIGHT - By - ALL RIGHTS RESERVED.

LOC	DIST	REVISIONS			
P	LTR	DESCRIPTION	DATE	DWN	APVD
AJ	00	REV PER ECO-13-011283	09DEC2013	G.C	M.Y



CABLE TRIM DIMENSIONS

1. FOR USE IWTH RG-174, RG-188 AND RG-316 CABLE.

	GOLD	3-1403081-6	3-413889-1	1408228-2	1330723-3
OBSOLETE	NICKEL	3-1403081-3	2-413889-4	1408228-1	1330723-1
	HOUSING	CAP	FERRULE	HSG ASSY	PART NUMBER
	PLATE	③ QTY=1	② QTY=1	① QTY=1	

THIS DRAWING IS A CONTROLLED DOCUMENT.		DWN	12MAR01		
DIMENSIONS: mm [INCHES]		RMF	12MAR01		
TOLERANCES UNLESS OTHERWISE SPECIFIED:		CHK	12MAR01		
0 PLC ± - 1 PLC ± - 2 PLC ± .13 3 PLC ± - 4 PLC ± - ANGLES ± 1°		APVD	12MAR01		
MATERIAL		PRODUCT SPEC		NAME	
FINISH		APPLICATION SPEC	408-8328	MCX RIGHT ANGLE CABLE PLUG CRIMP/SOLDER	
		WEIGHT	-	SIZE	A2
		CUSTOMER DRAWING		CAGE CODE	00779
				DRAWING NO	C=1330723
				RESTRICTED TO	-
				SCALE	20:1
				SHEET	1 OF 1
				REV	E