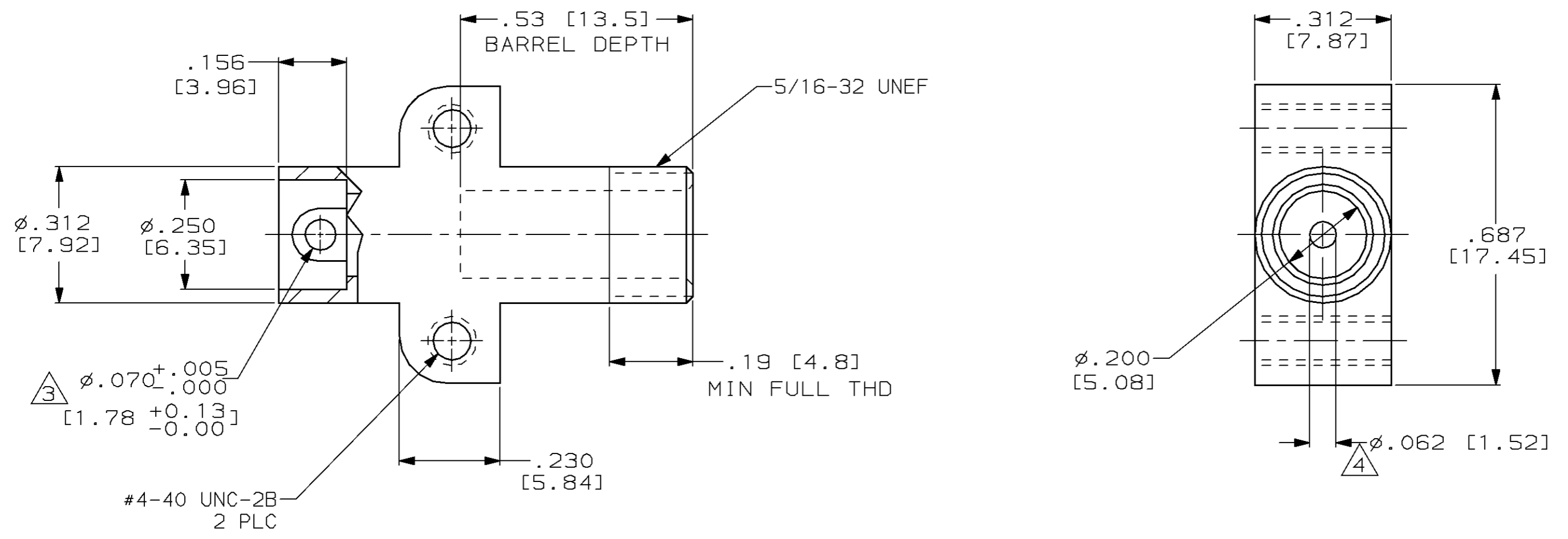


THIS DRAWING IS UNPUBLISHED. RELEASED FOR PUBLICATION, 19 .  
 © COPYRIGHT 19 BY AMP INCORPORATED. ALL RIGHTS RESERVED.

LOC		DIST		REVISIONS			
P	LTR	DESCRIPTION		DATE	DWN	APVD	
DF	SO	B		REV PER 0600-2280-94	10-31-94	TT	-



- RECEPTACLE TO MATE WITH AMP LGH 1/2 LEAD ASSEMBLY AVAILABLE SEPARATELY.
- SPECIAL TESTING:  
 GROUP "A" TEST:  
 (1) VISUAL & MECHANICAL  
 (2) INSULATION RESISTANCE: 5000 MEGOHM MIN  
 EYELET TO BE SOLDER COATED WITH 63/37 SOLDER.  
 PIN CONTACT PLATED WITH GOLD PER MIL-G-45204.

868094-1  
 PART NO.

THIS DRAWING IS A CONTROLLED DOCUMENT FOR AMP INCORPORATED. IT IS SUBJECT TO CHANGE AND THE CONTROLLING ENGINEERING ORGANIZATION SHOULD BE CONTACTED FOR THE LATEST REVISION.		DWN C.C. THOMAS 6-25-96	AMP Incorporated Harrisburg, PA 17105-3608												
DIMENSIONS: INCHES [mm]		CHK S. GLATFELTER 7-8-96													
TOLERANCES UNLESS OTHERWISE SPECIFIED:		APVD S. GLATFELTER 7-8-96	NAME LGH 1/2 RECEPTACLE WITH THREADED MOUNTING HOLES AND POTTING SHELL												
<table border="1"> <tr><td>0 PLC</td><td>±-</td></tr> <tr><td>1 PLC</td><td>±-</td></tr> <tr><td>2 PLC</td><td>±.02 [0.5]</td></tr> <tr><td>3 PLC</td><td>±.005 [0.13]</td></tr> <tr><td>4 PLC</td><td>±-</td></tr> <tr><td>ANGLES</td><td>±-</td></tr> </table>		0 PLC	±-	1 PLC	±-	2 PLC	±.02 [0.5]	3 PLC	±.005 [0.13]	4 PLC	±-	ANGLES	±-	PRODUCT SPEC -	SIZE A3
0 PLC	±-														
1 PLC	±-														
2 PLC	±.02 [0.5]														
3 PLC	±.005 [0.13]														
4 PLC	±-														
ANGLES	±-														
MATERIAL -		APPLICATION SPEC -	CAGE CODE 00779												
FINISH -		WEIGHT -	DRAWING NO C-868094												
CUSTOMER DRAWING			SCALE 2:1												
			SHEET 1 OF 1												
			REV B												