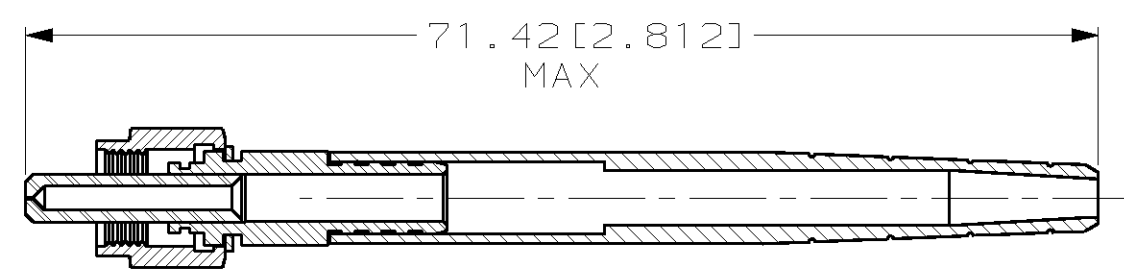
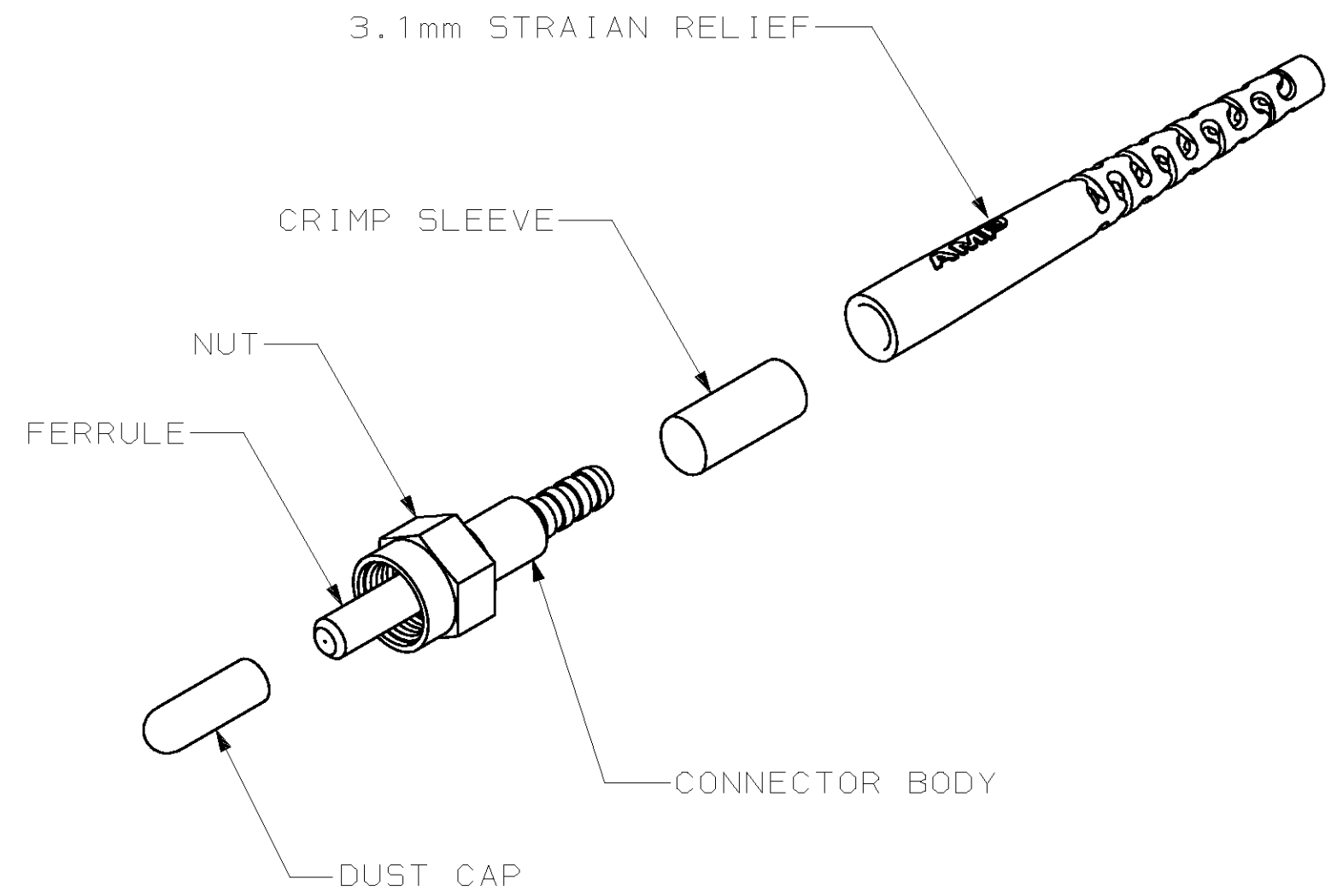


THIS DRAWING IS UNPUBLISHED. RELEASED FOR PUBLICATION
 BY AMP INCORPORATED. ALL RIGHTS RESERVED.

LOC	DIST	REVISIONS					
		P	LTR	DESCRIPTION	DATE	DWN	APVD
CE	16		D	REVISED PER 0A00-0267-01	12DEC2001	TA	SB



- 1 MATERIAL:
- a) FERRULE-STAINLESS STEEL
 - b) CONNECTOR BODY-COPPER ALLOY
 - c) NUT-COPPER ALLOY
 - d) CRIMP SLEEVE-COPPER ALLOY
 - e) BOOT- THERMOPLASTIC ELASTOMER, COLOR: BLACK
 - f) DUST CAP-VINYL, COLOR: RED
- 2 FINISH:
- a) CONNECTOR BODY-NICKEL PLATE
 - b) NUT-NICKEL PLATE
 - c) CRIMP SLEEVE-NICKEL PLATE
- 3 BULK PACKAGED 50 PER UNIT

OBSOLETE	600µm	3	4	504566	1
OBSOLETE	436µm	3	4	504566	0
OBSOLETE	240µm	3	3	504566	9
OBSOLETE	231µm	3	3	504566	8
OBSOLETE	125µm	3	3	504566	7
OBSOLETE	.082in	3		504566	6
OBSOLETE	.065in	3		504566	5
OBSOLETE	.047in	3		504566	4
OBSOLETE	.046in	3		504566	3
OBSOLETE	.043in	3		504566	2
	.042in	3		504566	1
	.039in	3		504566	0
OBSOLETE	860µm	2		504566	9
	641µm	2		504566	8
OBSOLETE	640µm	2		504566	7
OBSOLETE	600µm	2		504566	6
OBSOLETE	535µm	2		504566	5
OBSOLETE	500µm	2		504566	4
OBSOLETE	470µm	2		504566	3
OBSOLETE	460µm	2		504566	2
OBSOLETE	450µm	2		504566	1
	436µm	2		504566	0
OBSOLETE	430µm	1		504566	9
OBSOLETE	410µm	1		504566	8
OBSOLETE	400µm	1		504566	7
OBSOLETE	350µm	1		504566	6
OBSOLETE	340µm	1		504566	5
	336µm	1		504566	4
OBSOLETE	320µm	1		504566	3
OBSOLETE	280µm	1		504566	2
	270µm	1		504566	1
	267µm	1		504566	0
	250µm			504566	9
OBSOLETE	240µm			504566	8
	231µm			504566	7
OBSOLETE	229µm			504566	6
OBSOLETE	200µm			504566	5
OBSOLETE	170µm			504566	4
OBSOLETE	145µm			504566	3
	140µm			504566	2
	125µm			504566	1
	FIBER HOLE SIZE			PART NUMBER	

THIS DRAWING IS A CONTROLLED DOCUMENT.		DWN	P. YEAGER	1-18-93
DIMENSIONS: mm [INCHES]		CHK	R. HILEMAN	1-27-93
TOLERANCES UNLESS OTHERWISE SPECIFIED:		APVD	S. BUCHTER	1-27-93
0 PLC ±-	1 PLC ±-	NAME		
2 PLC ±-	3 PLC ±-	AMP Incorporated		
4 PLC ±-	ANGLES ±-	Harrisburg, PA 17105-3608		
MATERIAL 1	FINISH 2	CONNECTOR KIT, SMA 905		
		STAINLESS FRONT BODY, BRASS		
		REAR BODY, 3.1mm CABLE		
		SIZE	CAGE CODE	DRAWING NO
		WEIGHT	A2 00779	C-504566
		CUSTOMER DRAWING	SCALE	SHEET
			2:1	1 OF 1
				REV D