

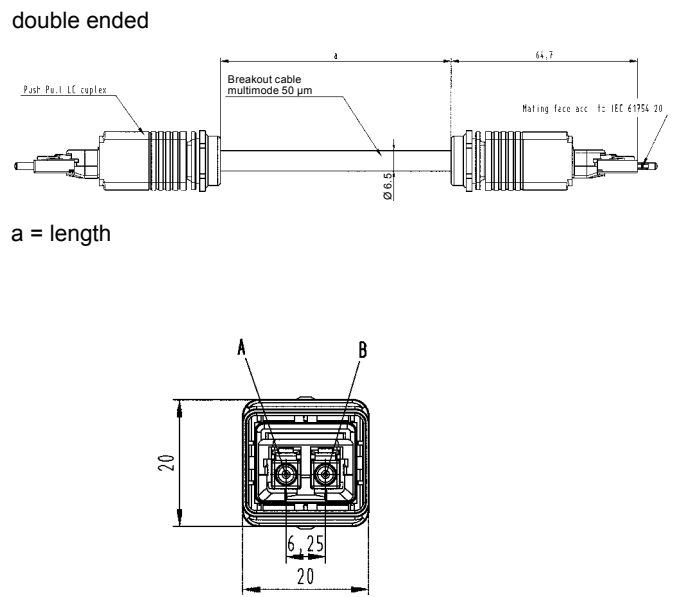


Identification	Part No.	Drawing	Dimensions in mm
----------------	----------	---------	------------------

Fibre optic cable, double ended, multi mode, 50 µm

Length: a = 1 m
 a = 5 m
 a = 10 m
 a = 20 m
 a = 40 m
 a = 50 m
 a = 100 m

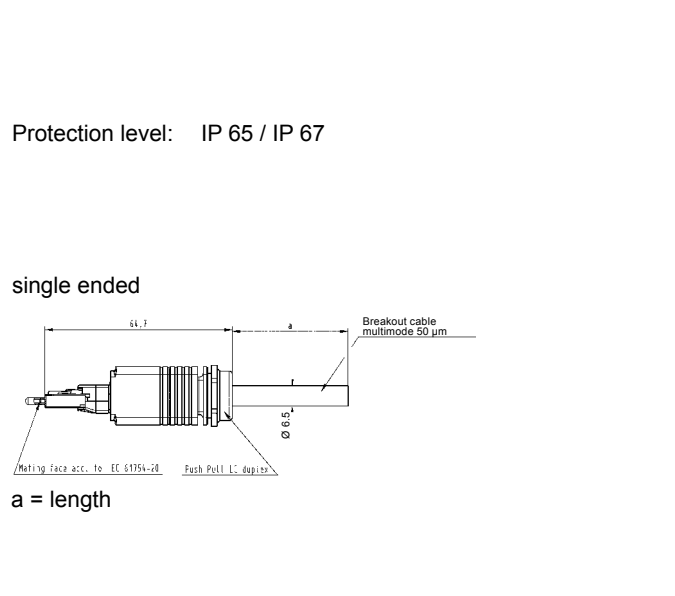
33 58 211 0010 004
 33 58 211 0050 004
 33 58 211 0100 004
 33 58 211 0200 004
 33 58 211 0400 004
 33 58 211 0500 004
 33 58 211 1000 004



Fibre optic cable, single ended, multi mode, 50 µm

Length: a = 1 m
 a = 5 m
 a = 10 m
 a = 20 m
 a = 40 m
 a = 50 m
 a = 100 m

33 58 111 0010 004
 33 58 111 0050 004
 33 58 111 0100 004
 33 58 111 0200 004
 33 58 111 0400 004
 33 58 111 0500 004
 33 58 111 1000 004



Fibre optic breakout cable, multi mode, 50 µm

Length: 10 m
 Length: 20 m
 Length: 100 m

33 58 751 0100 003
 33 58 751 0200 003
 33 58 751 1000 003

PUR jacket	
2-fibre multi mode	50 µm
Outer diameter:	6.5 mm
Min. bending radius:	
Installation:	10.4 cm
Operating:	5.2 cm