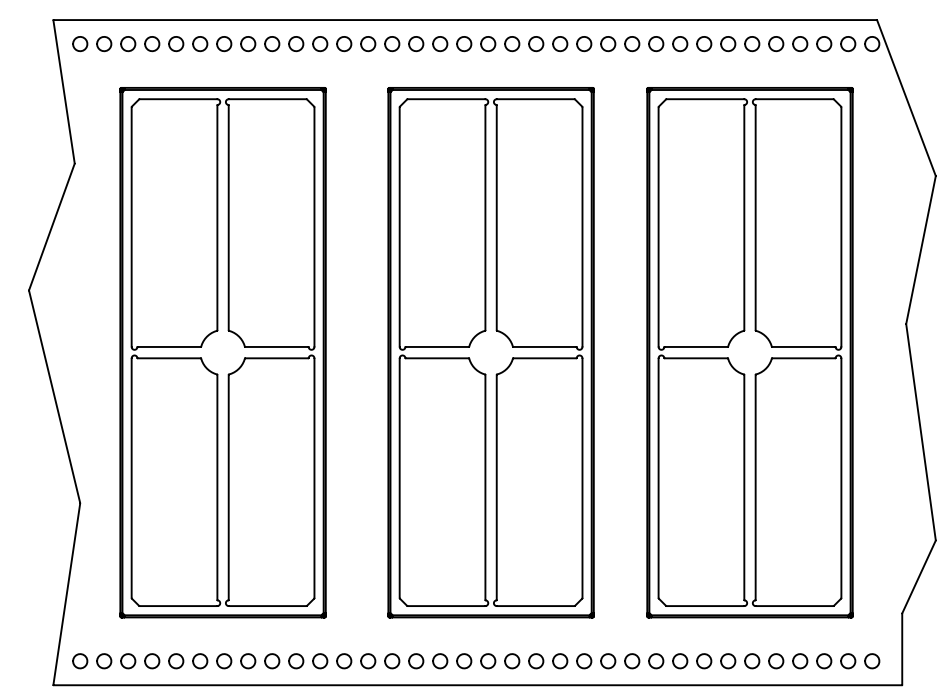
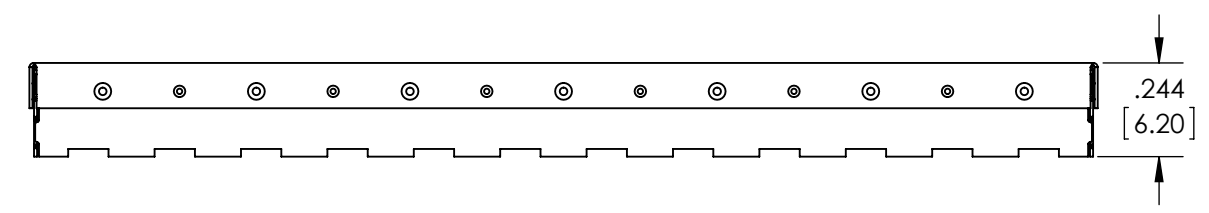
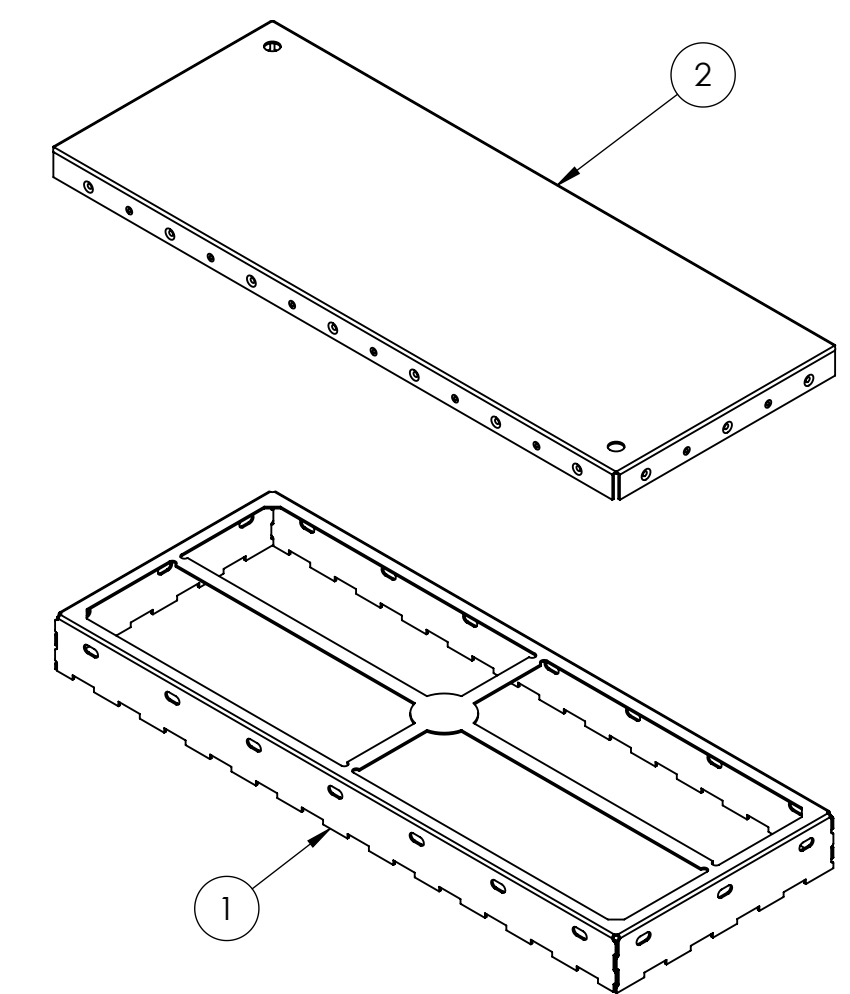
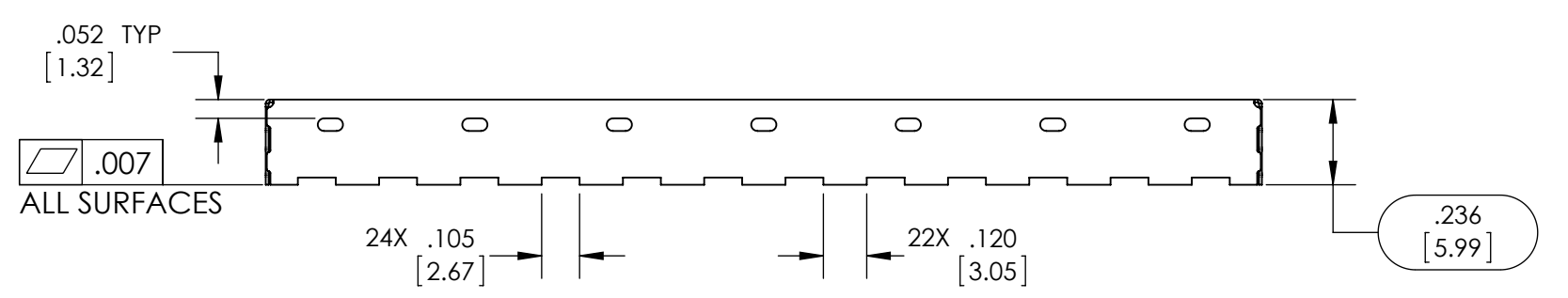
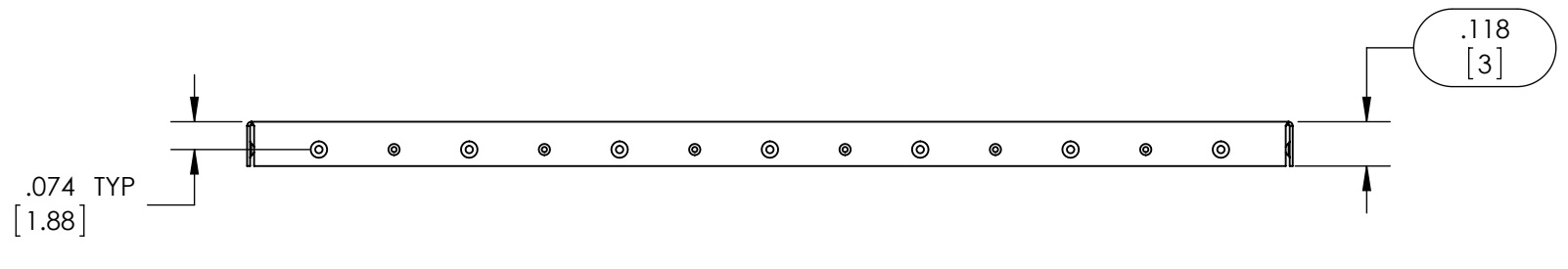
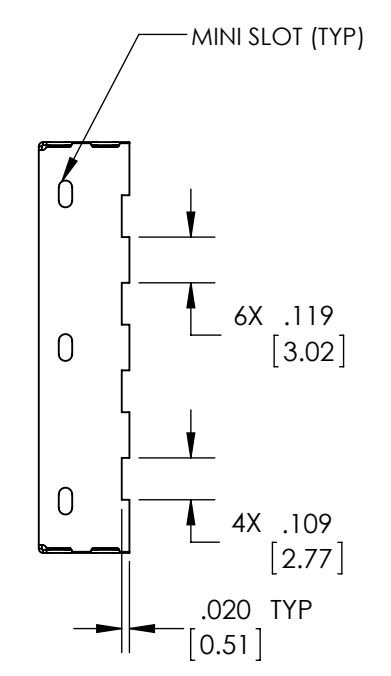
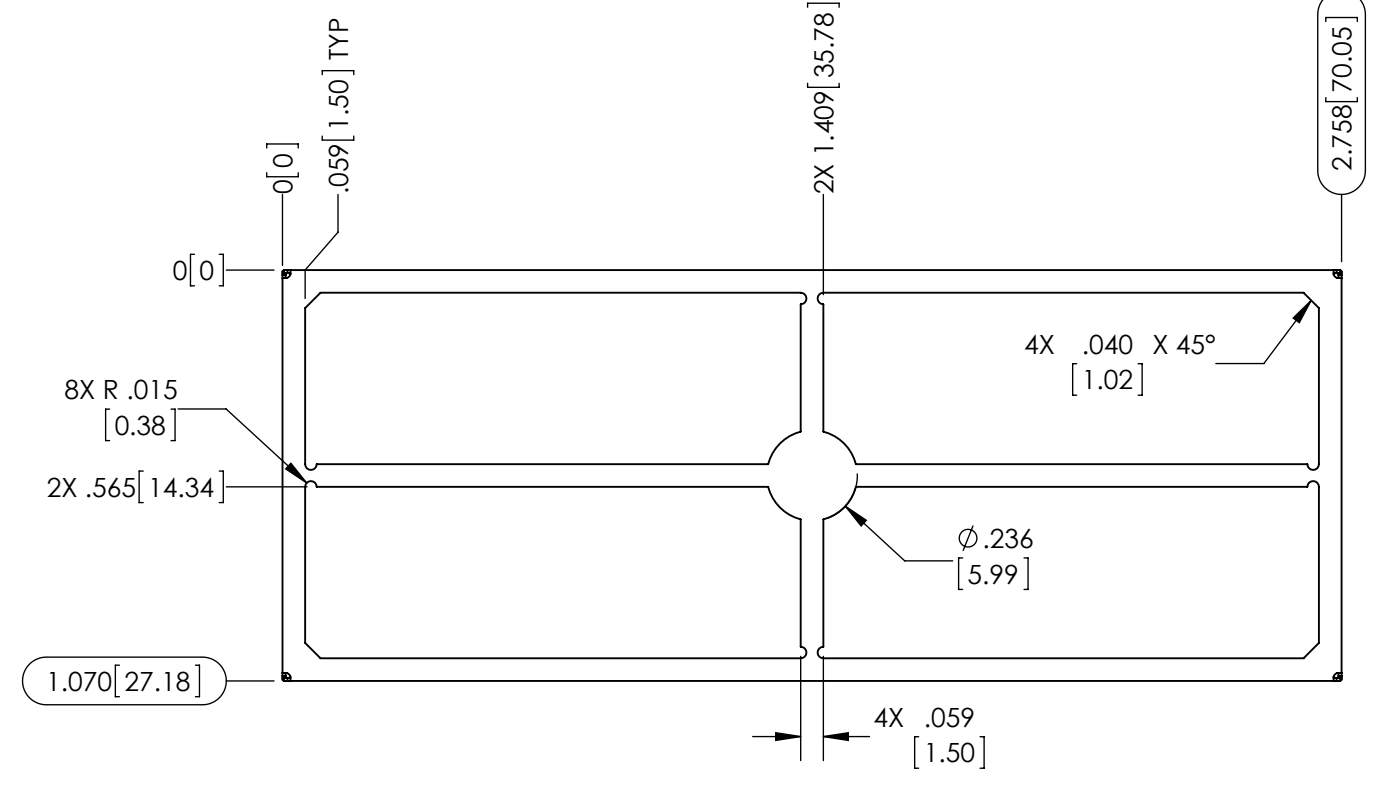
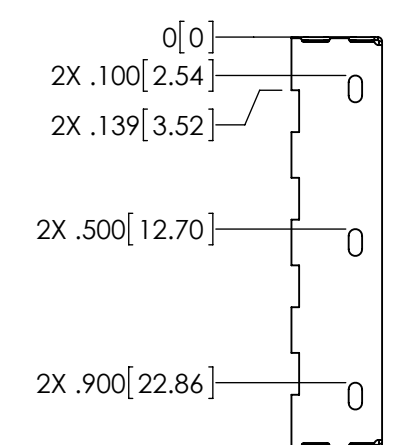
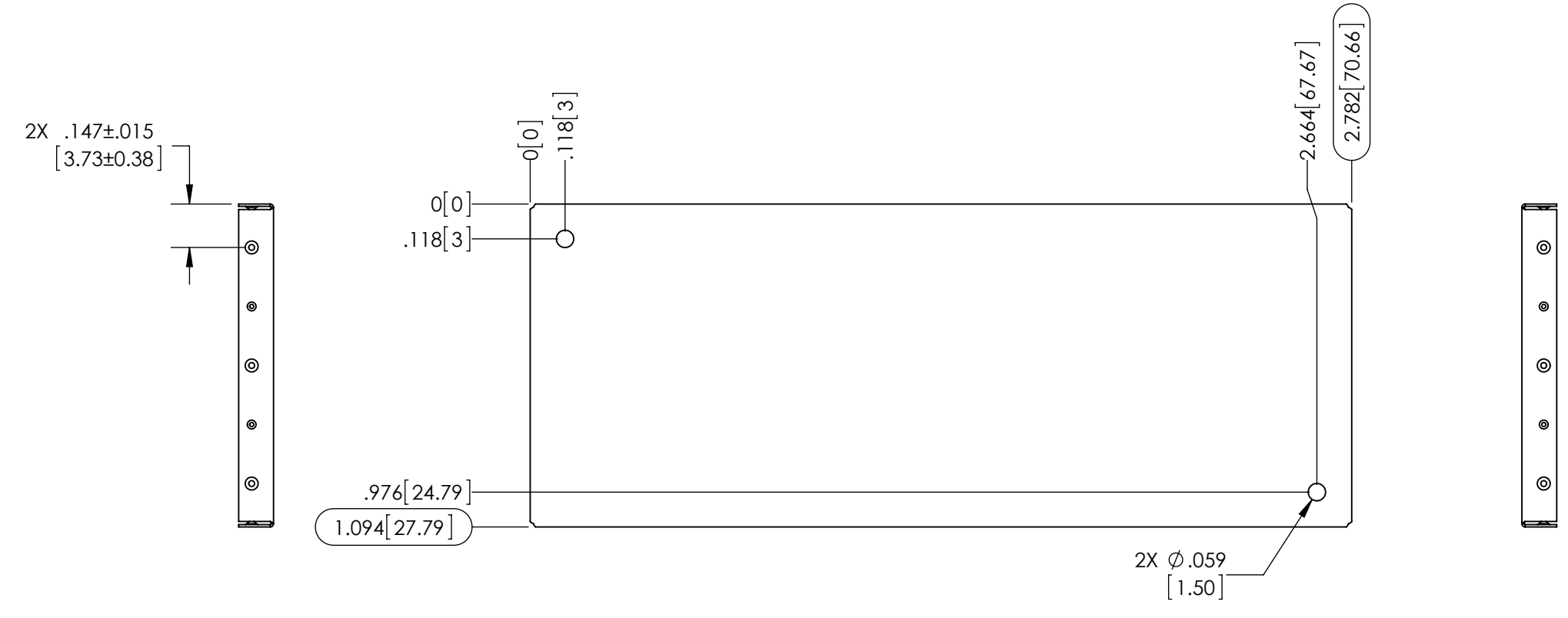
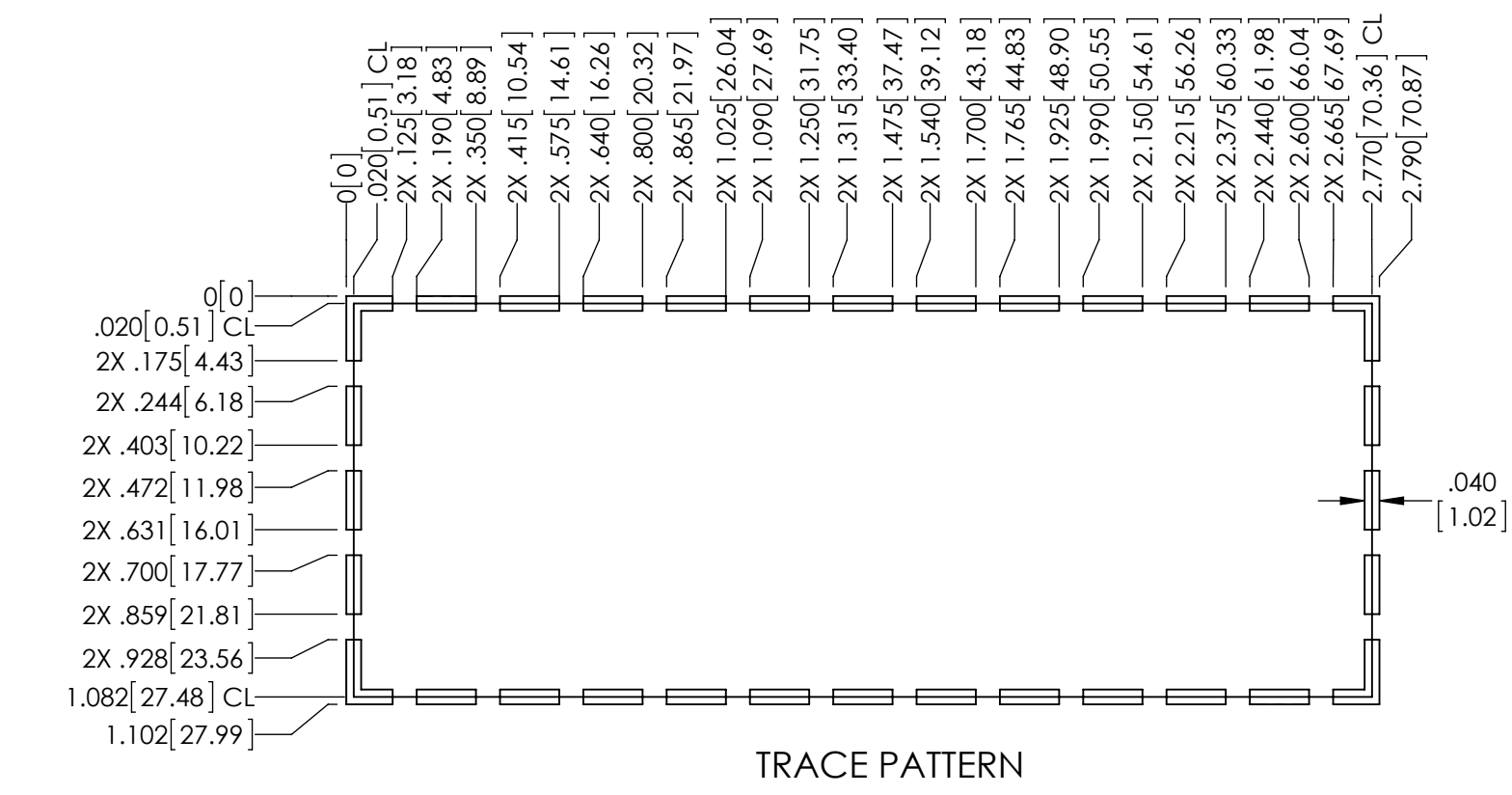
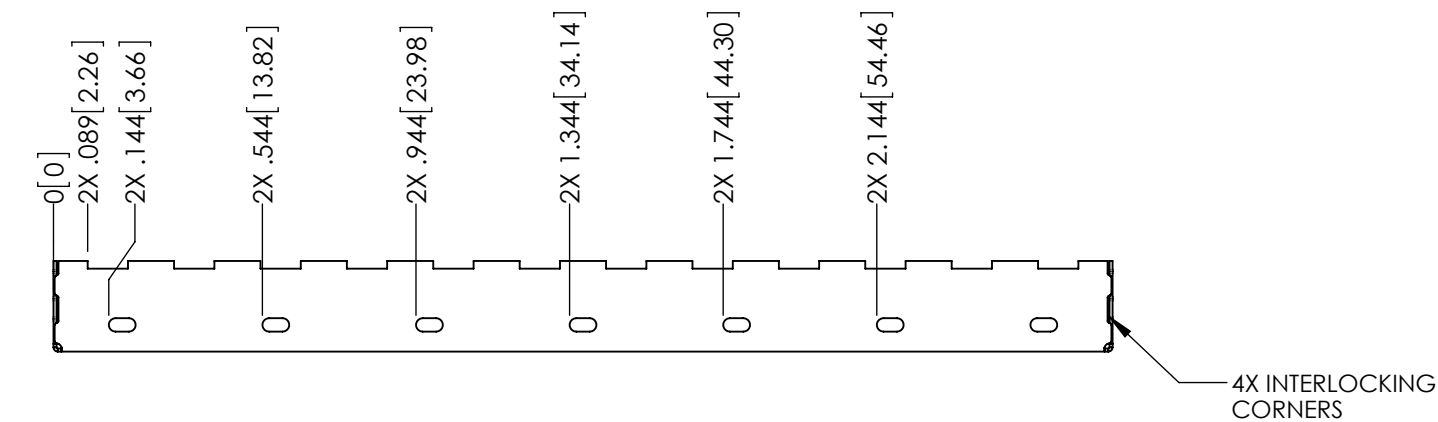
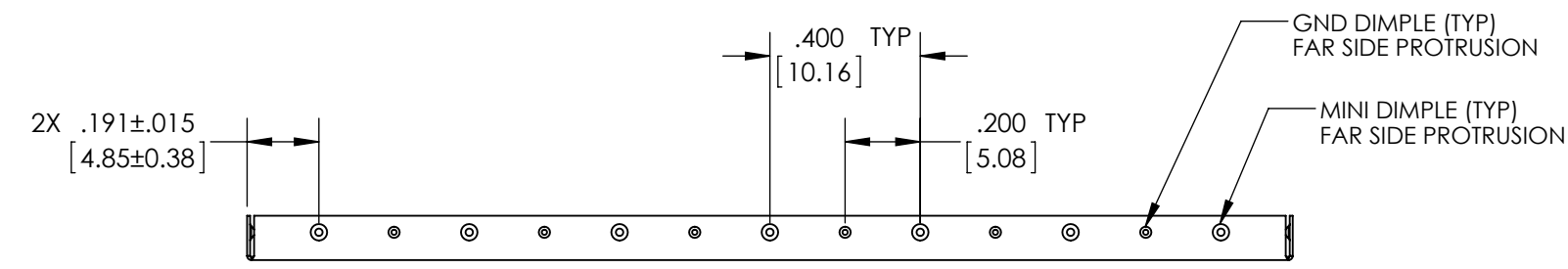


NOTES:
1. ASSURE ASSEMBLY CAPABILITY BY MATCHING WITH MATING PART



CARRIER TAPE SPECIFICATIONS						
PART NUMBER	DESCRIPTION	OVERALL DIMENSIONS	OVERALL HEIGHT	CARRIER TAPE WIDTH	CARRIER TAPE PITCH	PARTS PER REEL
SMS-462F	FRAME	1.070 X 2.758 [27.18 X 70.05]	.236 [5.99]	88 mm	40 mm	250
SMS-462C	COVER	1.094 X 2.782 [27.79 X 70.66]	.118 [3.00]	N/A	N/A	BULK PACK

THIS DOCUMENT CONTAINS PROPRIETARY INFORMATION OWNED BY LEADERTech. IT IS TO BE KEPT PRIVATE AND NOT TO BE REPRODUCED, COPIED, OR DISCLOSED IN WHOLE OR IN PART FOR ANY PURPOSE WITHOUT THE WRITTEN PERMISSION OF LEADERTech. LEADERTech DOES NOT GUARANTEE OR WARRANT THE PERFORMANCE CHARACTERISTICS.

ITEM NO.	PART NUMBER	DESCRIPTION	QTY.
1	SMS-462F	FRAME	1
2	SMS-462C	COVER	1

UNLESS OTHERWISE SPECIFIED:
 - ALL DIMENSIONS ARE IN INCHES
 - PART SHALL BE FREE OF BURRS AND SHARP EDGES
 - ALL DIMENSIONS SHOWN APPLY AFTER PLATING AND COATINGS
 - ROHS COMPLIANT PER EU DIRECTIVE 2011/65/EU
 - POI = POINT OF INTERSECTION

THIRD ANGLE PROJECTION

ANGLES +/- 2°

DRAWN BY: SDH
 APPROVED BY: ND

DATE: 2015-11-02
 DATE: 2015-11-09

MATERIAL: MATTE .008" PRE TIN STEEL

SCALE: 2:1
 DWG. NO.: D
 SHEET: 1 OF 1

LEADER TECH
 a HEICO company
 The Leading Edge in EMI Shielding Technology

TITLE: SURFACE MOUNT SHIELD
 CAGE CODE: 4J674