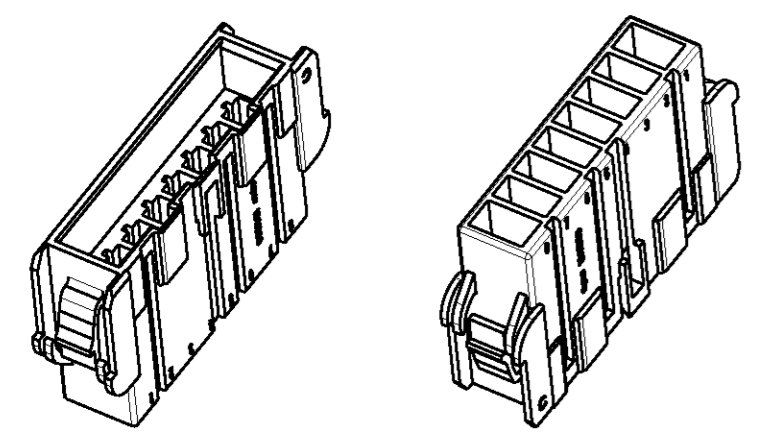
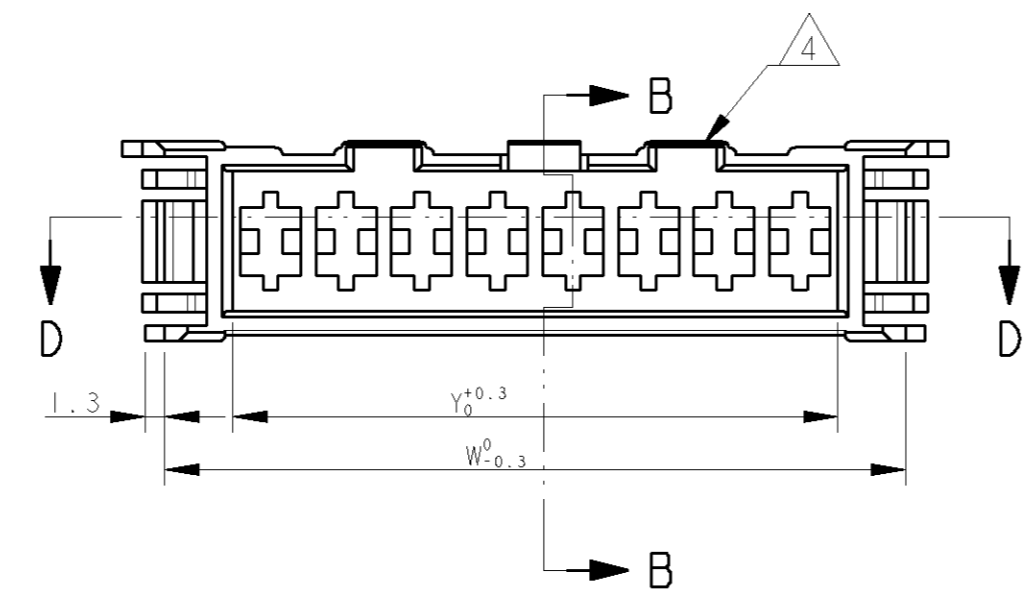


THIS DRAWING IS UNPUBLISHED. RELEASED FOR PUBLICATION 2003  
 © COPYRIGHT 2003 BY TYCO ELECTRONICS CORPORATION. ALL RIGHTS RESERVED.

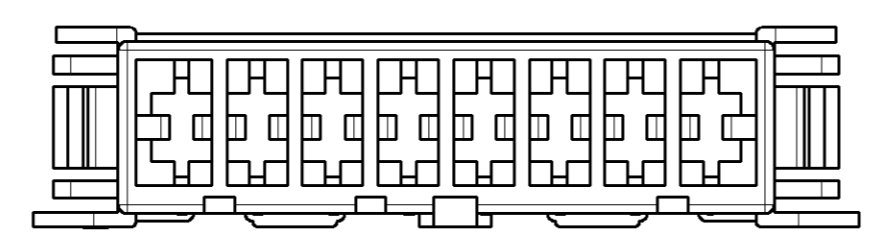
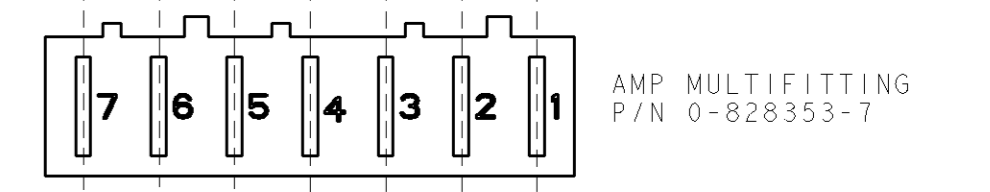
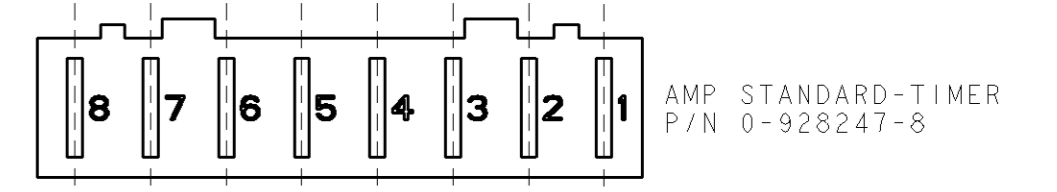
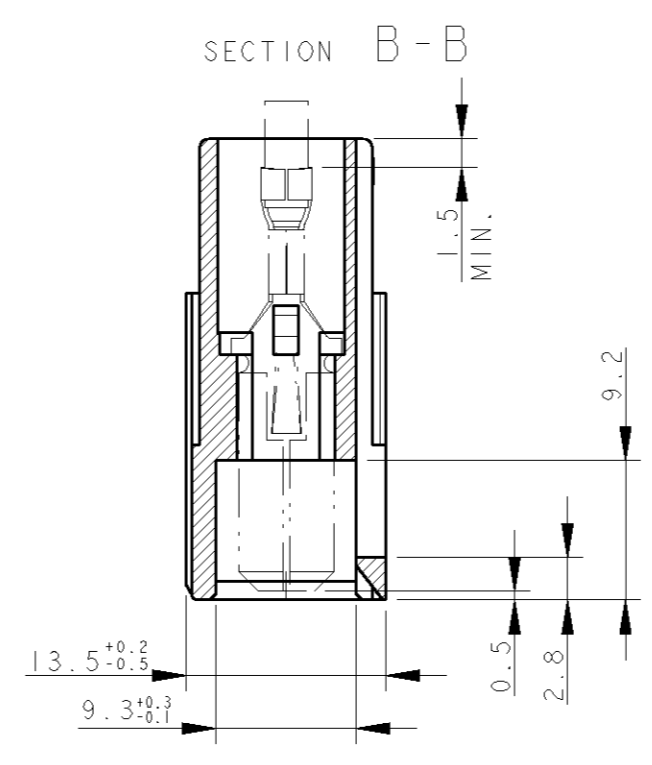
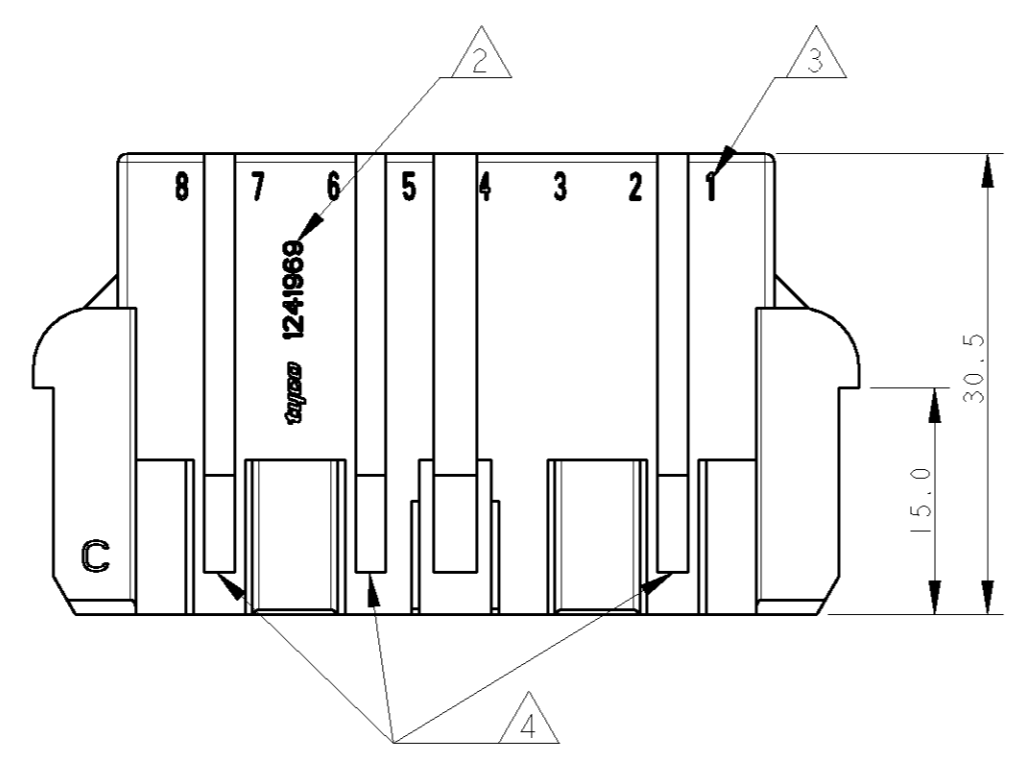
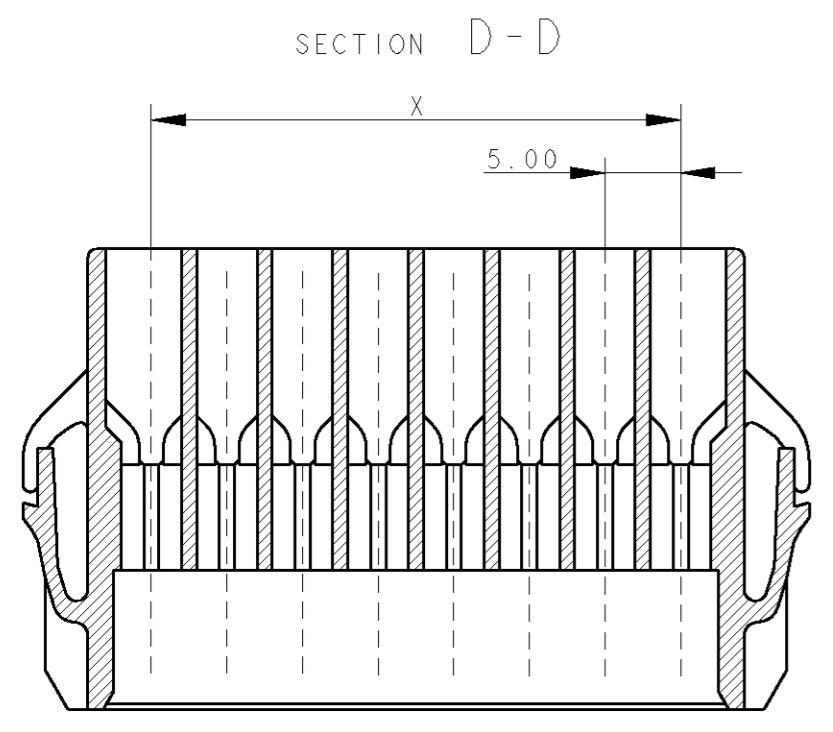
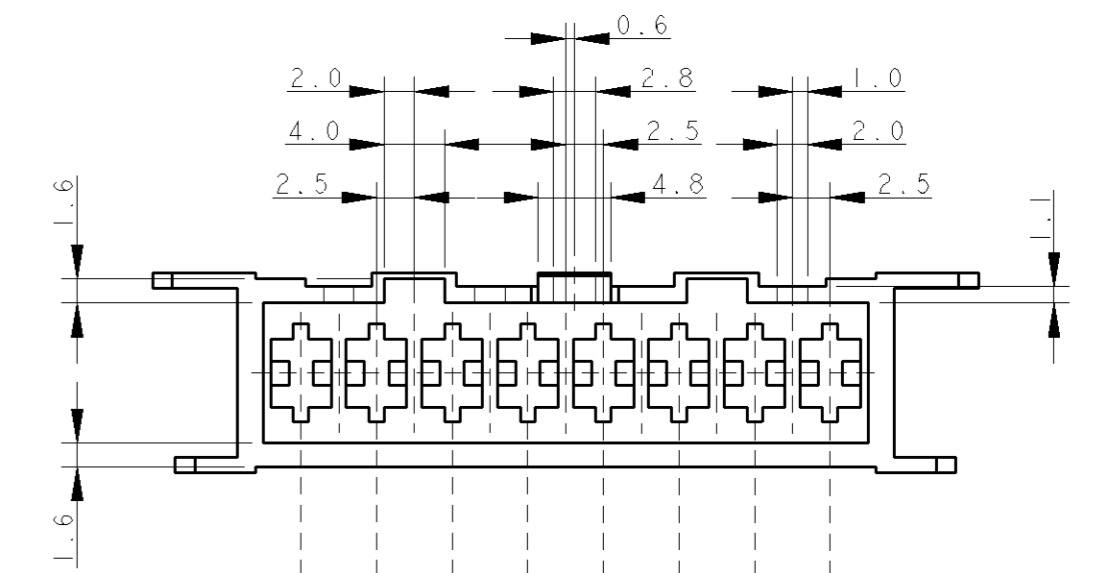
REVISIONS						
LOC	DIST	P	LTR	DESCRIPTION	DATE	APVD
		C		REDRAWN, ECR-05-009400.	-	HY GT



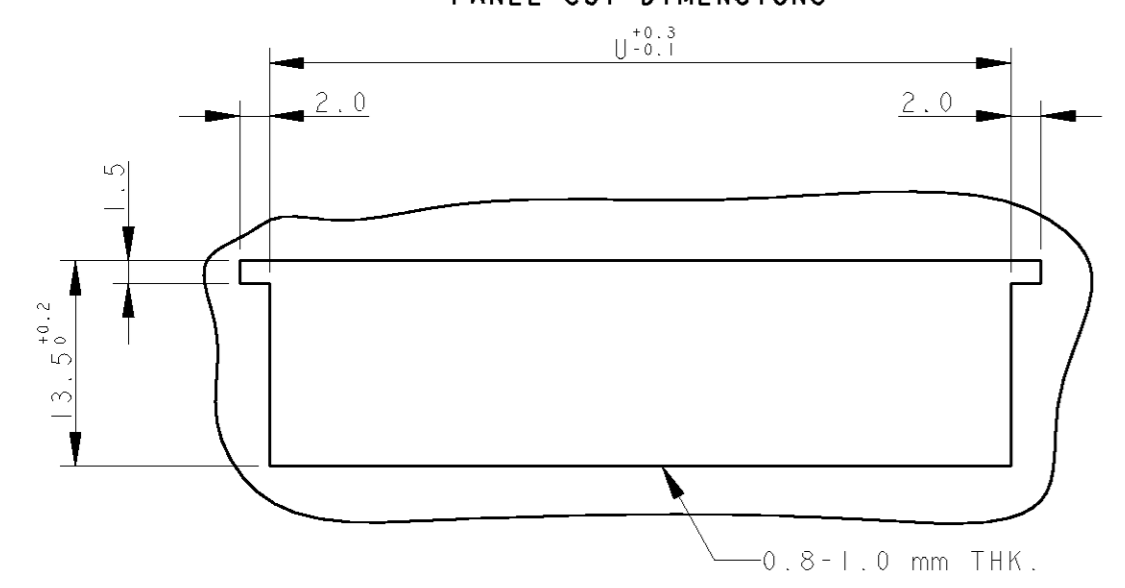
SCALE 1:1



POLARIZATION KEYS SCHEME



PANEL CUT DIMENSIONS



- 1 TYPICAL CAVITY SUITABLE FOR:  
FASTIN-FASTON TAB CONTACTS 6.3 mm SRS:  
P/N: 60294, 0.3-0.8 mm<sup>2</sup> WIRE RANGE  
160691, 0.3-0.8 mm<sup>2</sup> WIRE RANGE  
AMPLIVAR CONTACTS:  
P/N: 141051, 0.1-0.5 mm<sup>2</sup> WIRE RANGE  
142411, 0.3-1.6 mm<sup>2</sup> WIRE RANGE  
MAX. INSULATION DIA. 2.8 mm.  
MAX. INSULATION CRIMP WIDTH 3.3 mm.
- 2 TYCO TRADEMARK "LOGO" AND  
TYCO ELECTRONICS "PART NUMBER"  
OPTIONAL POSITION.
- 3 CIRCUIT IDENTIFICATION NUMBERS.
- 4 POLARIZATION KEYS DIMENSIONS AND POSITIONS  
ARE ACCORDING TO "RAST 5" NORM
- 5 PA UNFILLED, UL 94-V2,  
ACCORDING TO IEC 60335-1 NORM.
- 6 PA UNFILLED, UL 94-V2

POS.	U	W	X	Y	P/N	MATERIAL	COLOUR	REV.
12	69.0	69.0	55.0	60.0	-	-	-	-
11	64.0	64.0	50.0	55.0	-	-	-	-
10	59.0	59.0	45.0	50.0	-	-	-	-
9	54.0	54.0	40.0	45.0	-	-	-	-
8	49.0	49.0	35.0	40.0	5-1241969-8	SEE NOTE 5	NATUR	C
8	49.0	49.0	35.0	40.0	0-1241969-8	SEE NOTE 6	NATUR	C
6	39.0	39.0	25.0	30.0	-	-	-	-
5	34.0	34.0	20.0	25.2	-	-	-	-
4	29.0	29.0	15.0	20.2	-	-	-	-
3	24.0	24.0	10.0	15.2	-	-	-	-
2	19.0	19.0	5.0	10.2	-	-	-	-
					PARTS LIST			

THIS DRAWING IS A CONTROLLED DOCUMENT FOR TYCO ELECTRONICS CORPORATION IT IS SUBJECT TO CHANGE AND THE CONTROLLING ENGINEERING ORGANIZATION SHOULD BE CONTACTED FOR THE LATEST REVISION.		DWN H. Yaqili 18AUG2005 CHK G. Turco APVD - PRODUCT SPEC - APPLICATION SPEC - WEIGHT - CUSTOMER DRAWING	<b>tyco</b> <b>Electronics</b> tyco Electronics AMP Italia S.p.A. C.so F.lli Cervi, 15 COLLEGGIO (TO)
DIMENSIONS: mm 	TOLERANCES UNLESS OTHERWISE SPECIFIED: 0 PLC ± 1 PLC ±0.2 2 PLC ± 3 PLC ± 4 PLC ± ANGLES ±° FINISH	NAME 2-12 POS. FASTIN-FASTON* Connectors TAB HOUSING, RAST 5 PANEL MOUNT VERSION SIZE A2 CAGE CODE 00779 DRAWING NO. 1241969 RESTRICTED TO -	SCALE 1:2 SHEET 1 OF 1 REV C