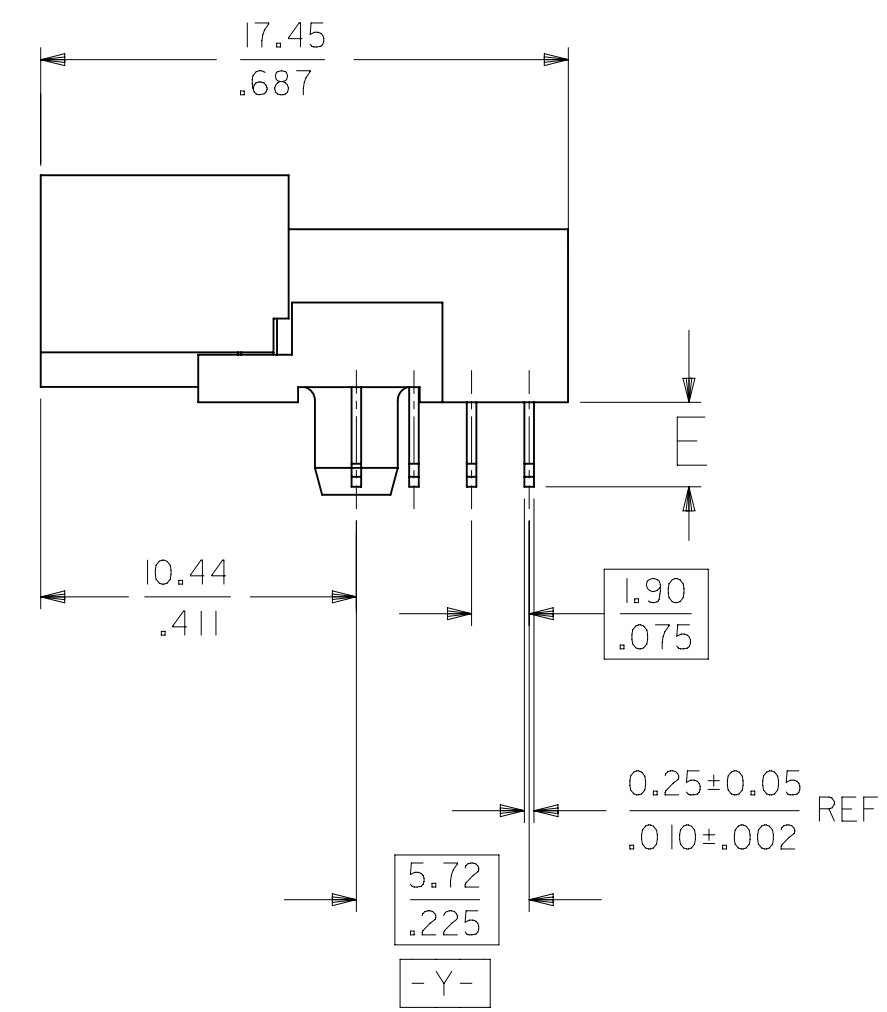
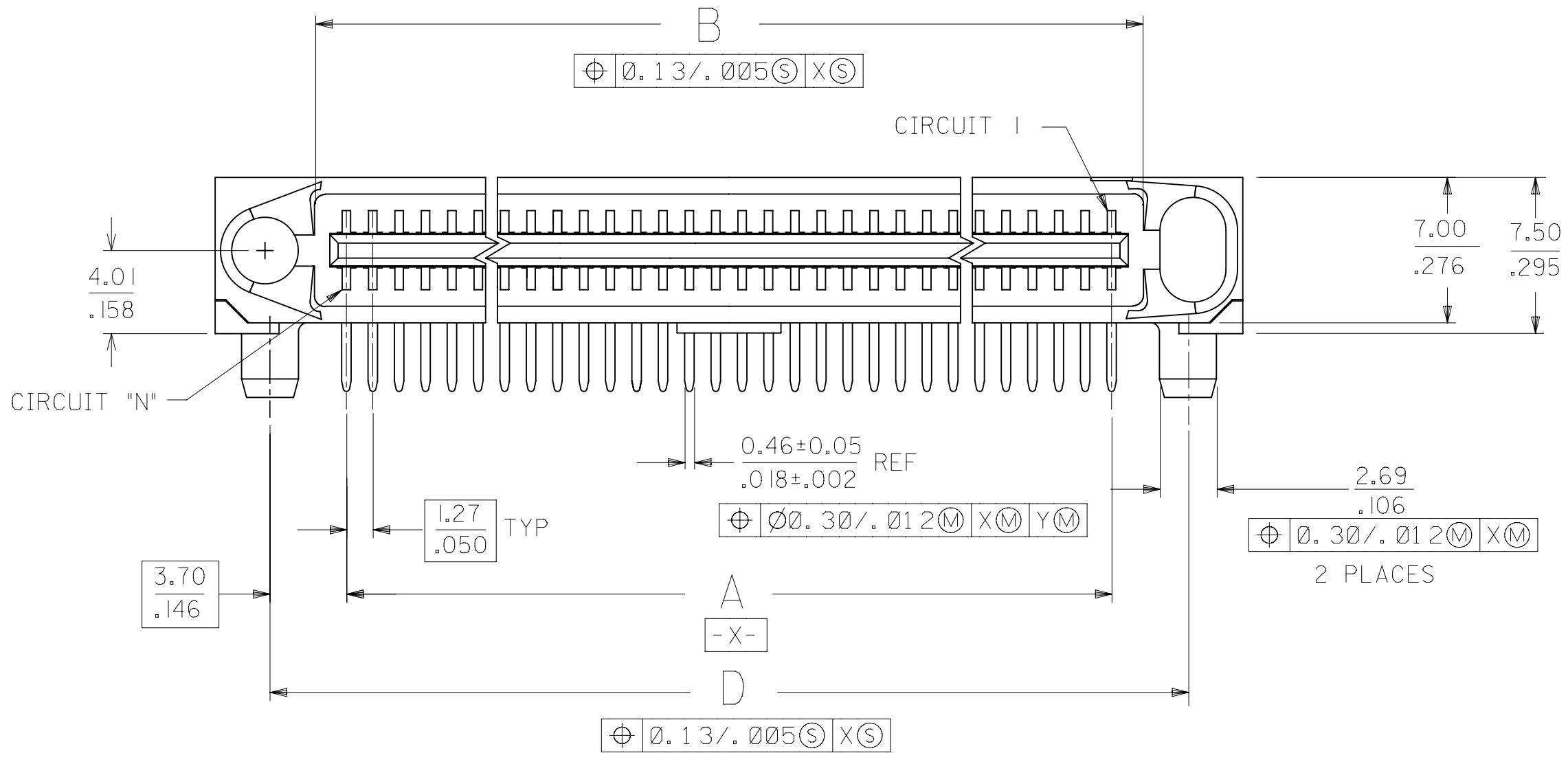
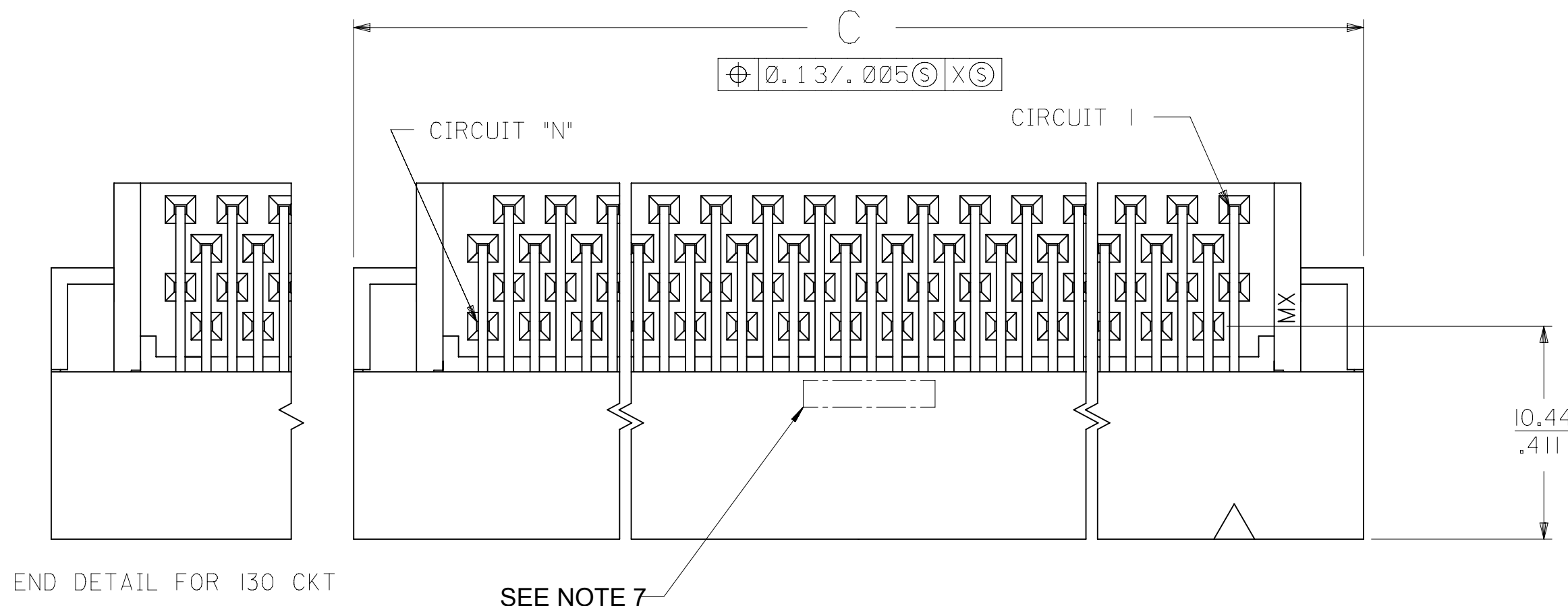
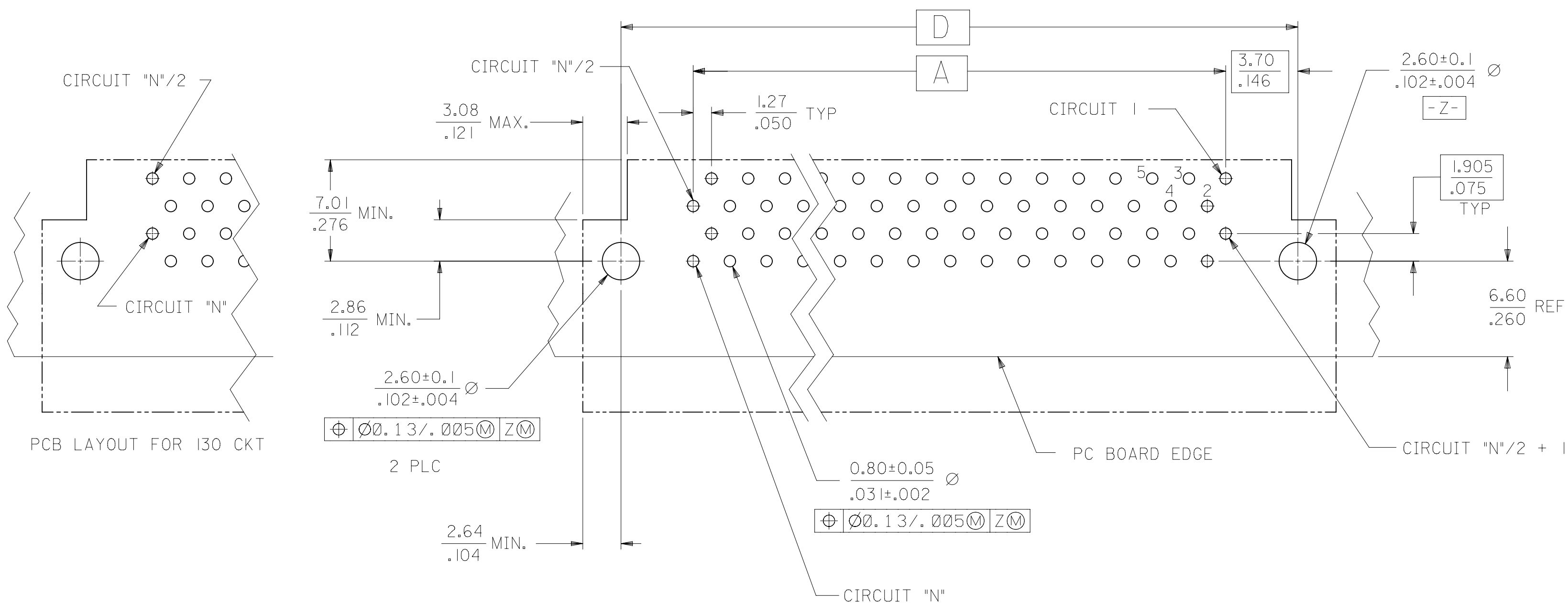


NOTES:

1. MATERIAL:
HOUSING: LIQUID CRYSTAL POLYMER (LCP), GLASS-FILLED, UL94V-0,
COLOR: BLACK
TERMINALS: BRASS
2. FINISH:
TERMINAL: 0.76 MICROMETERS/30 MICROINCHES MINIMUM SELECTIVE GOLD
IN CONTACT AREA; 1.27 MICROMETERS/50 MICROINCHES MINIMUM
SELECTIVE TIN IN THE PC TAIL AREA; NICKEL UNDERPLATE OVERALL.
3. CONFORMS TO PRODUCT SPEC: PS-71660
4. PRODUCT PACKAGED PER PK-70873-084*
5. ASSEMBLY MATES WITH MOLEX P/N SDA-71660-7***
6. RECOMMENDED PC BOARD THICKNESS IS 1.6 MM/.062 IN
7. FOUR DIGIT DATE CODE (WK.YR.) EXAMPLE 26 96 LOCATED IN AREA SHOWN



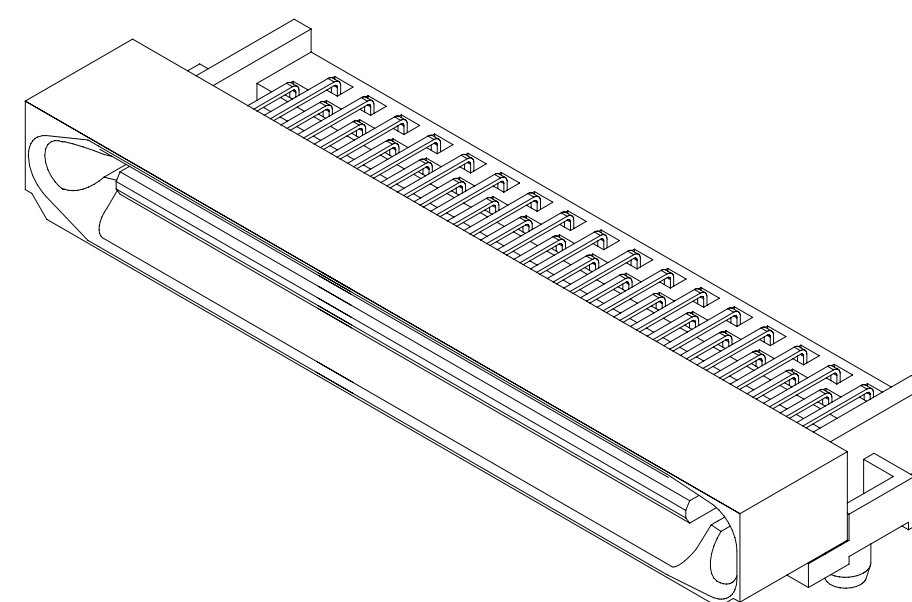
THIS DRAWING CONTAINS INFORMATION THAT IS PROPRIETARY TO MOLEX ELECTRONIC TECHNOLOGIES, LLC AND SHOULD NOT BE USED WITHOUT WRITTEN PERMISSION									
DIMENSION UNITS MM/IN		SCALE 4:1		CURRENT REV DESC: REMOVED OBSOLETE PART NUMBER AS PER PCN#509989.				molex	
GENERAL TOLERANCES (UNLESS SPECIFIED)				EC NO: 708673					
				DRWN: SANTHN 2022/05/16				SALES ASSMBLY	
4 PLACES ±				CHK'D: GGA 2022/06/22				EBBI 50D RIGHT ANGLE BLIND MATE PLUG	
3 PLACES ±		± 0.01		APPR: GGA 2022/06/22				PRODUCT CUSTOMER DRAWING	
2 PLACES ±		0.25 ±		INITIAL REVISION:				DOCUMENT NUMBER	
1 PLACE ±				DRWN: RAN 1995/04/26				SDA-71661-25XX	
0 PLACES ±				APPR: CAB 1995/04/26				PSD 001 N1	
ANGULAR TOL ± 0.5°				THIRD ANGLE PROJECTION		DRAWING		SHEET NUMBER	
DRAFT WHERE APPLICABLE MUST REMAIN WITHIN DIMENSIONS				C-SIZE		SERIES		MATERIAL NUMBER	
						71661		CUSTOMER	
								GENERAL MARKET	
								1 OF 2	



PCB LAYOUT FOR 130 CKT

RECOMMENDED PC BOARD LAYOUT
COMPONENT SIDE

SEE NOTE 6



68 CIRCUIT ASSEMBLY SHOWN
SCALE 2:1

1.241 (31.53)	1.449 (36.80)	1.070 (27.18)	.950 (24.13)	.110 (2.79)	40	71661-2540
D	C	B	A	E	CKT ("N")	ITEM NUMBER

THIS DRAWING CONTAINS INFORMATION THAT IS PROPRIETARY TO MOLEX ELECTRONIC TECHNOLOGIES, LLC AND SHOULD NOT BE USED WITHOUT WRITTEN PERMISSION									
DIMENSION UNITS MM/IN		SCALE 4:1		CURRENT REV DESC: REMOVED OBSOLETE PART NUMBER AS PER PCN#509989.				molex	
GENERAL TOLERANCES (UNLESS SPECIFIED)				EC NO: 708673					
				DRWN: SANTHN 2022/05/16				SALES ASSMBLY EBBI 50D RIGHT ANGLE BLIND MATE PLUG	
4 PLACES ±				CHK'D: GGA 2022/06/22					
3 PLACES ±		± 0.01		APPR: GGA 2022/06/22				PRODUCT CUSTOMER DRAWING	
2 PLACES ±		0.25 ±		INITIAL REVISION:					
1 PLACE ±				DRWN: RAN 1995/04/26				DOCUMENT NUMBER	
0 PLACES ±				APPR: CAB 1995/04/26				SDA-71661-25XX	
ANGULAR TOL ± 0.5 °				THIRD ANGLE PROJECTION		DRAWING		SHEET NUMBER	
DRAFT WHERE APPLICABLE MUST REMAIN WITHIN DIMENSIONS				C-SIZE		SERIES		MATERIAL NUMBER	
						71661		CUSTOMER	
								GENERAL MARKET	
								PSD 001 N1	
								SEE TABLE	
								2 OF 2	