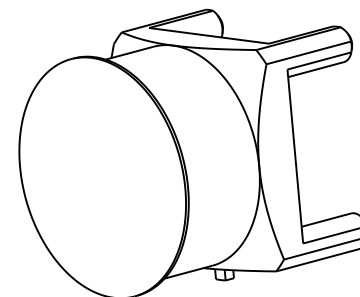


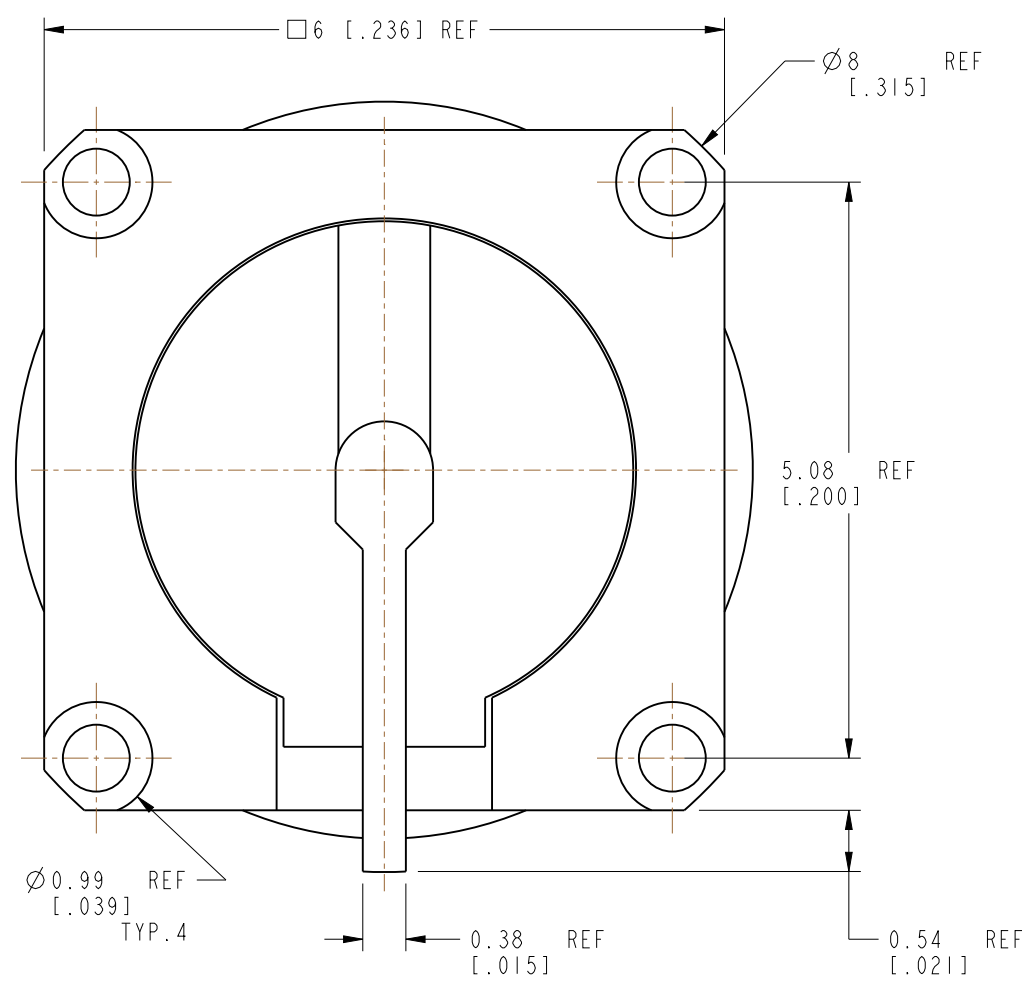
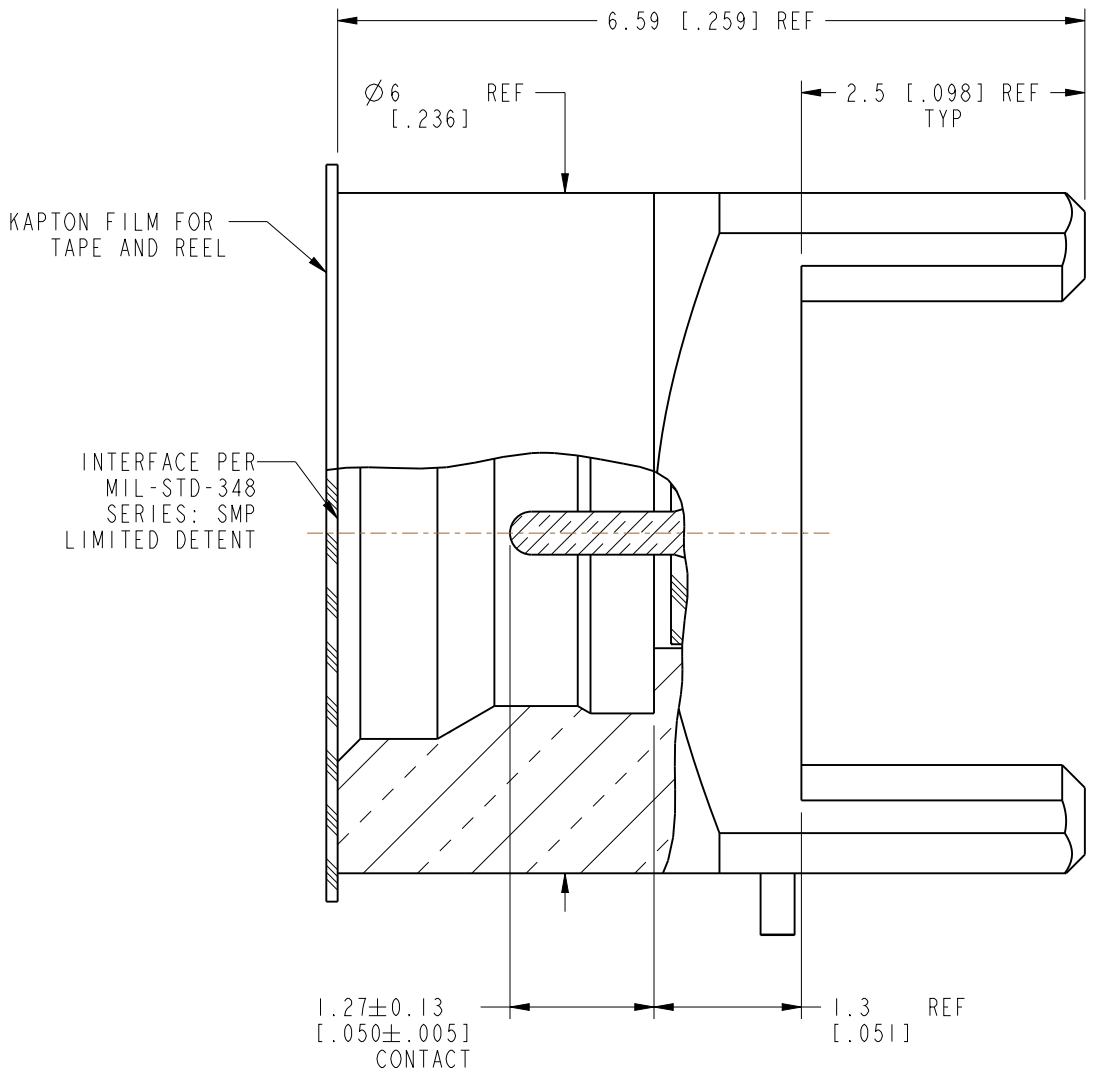
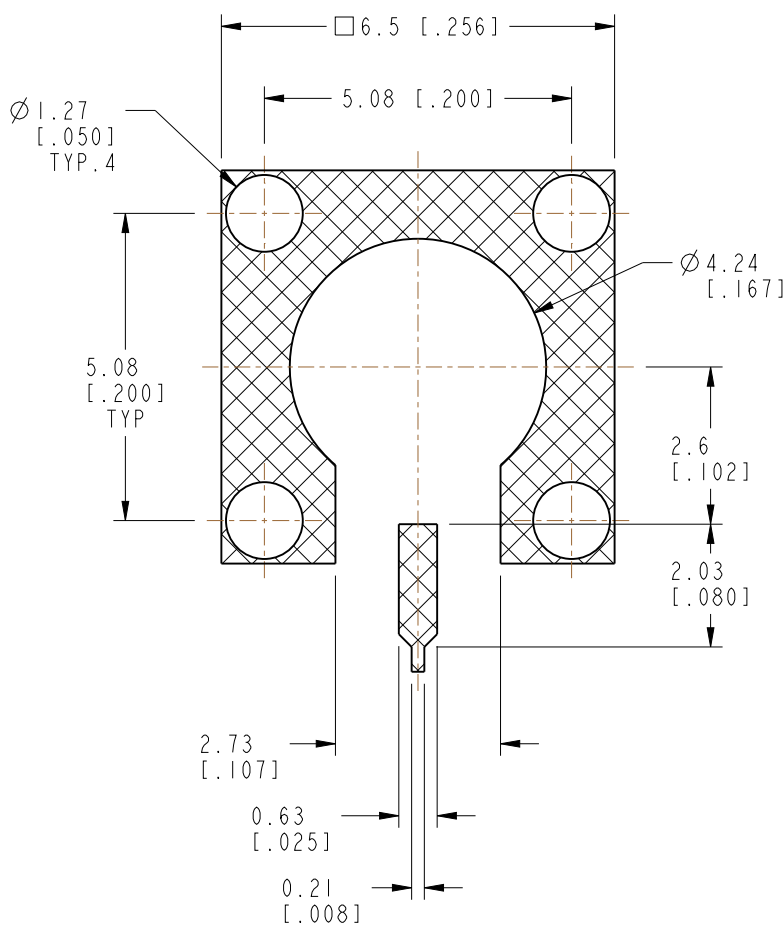
NOTES:

1. MATERIALS AND FINISHES:  
 BODY, CONTACT - BRASS, GOLD PLATING  
 INSULATOR - LCP E130i, NATURAL
2. ELECTRICAL:  
 A. IMPEDANCE: 50 OHM  
 B. FREQUENCY RANGE: DC-20 GHz  
 C. VSWR(RETURN LOSS): 1.10 MAX (-26.4 dB MIN.) AT DC-8 GHz  
 1.22 MAX (-20 dB MIN.) AT 8-20 GHz  
 CONNECTOR ONLY, PERFORMANCE WILL VARY BASED ON BOARD LAYOUT.  
 D. DIELECTRIC WITHSTANDING VOLTAGE: 500 VRMS, MIN.
3. MECHANICAL:  
 A. DURABILITY: 500 CYCLES MIN.  
 B. TEMPERATURE RANGE: -65°C TO 165°C  
 C. ENGAGEMENT FORCE: 10 LBS (45 N) MAX.  
 D. DISENGAGEMENT FORCE: 2 LBS (9 N) MIN.  
 E. INNER CONTACT RETENTION FORCE: 1.5 LBS (7 N) MIN.
4. PACKAGING:  
 A. QUANTITY: TAPE & REEL PACKAGING, 600 PCS/REEL  
 B. MARKING: PACKAGING TO BE MARKED  
 "AMPHENOL RF, SMP-MSLD-PCT19T, AND DATE CODE"

REVISIONS				
REV	DESCRIPTION	DATE	ECN	APPR
A	RELEASE TO MFG.	29-JUN-20	15254	EH



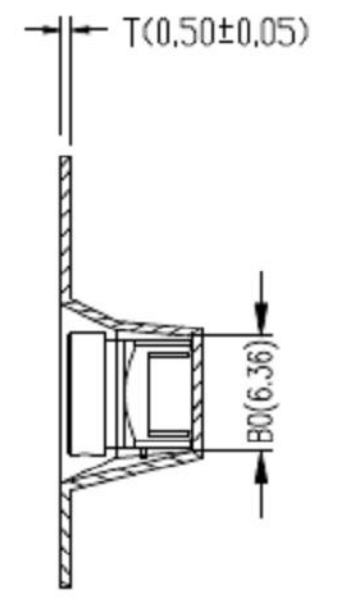
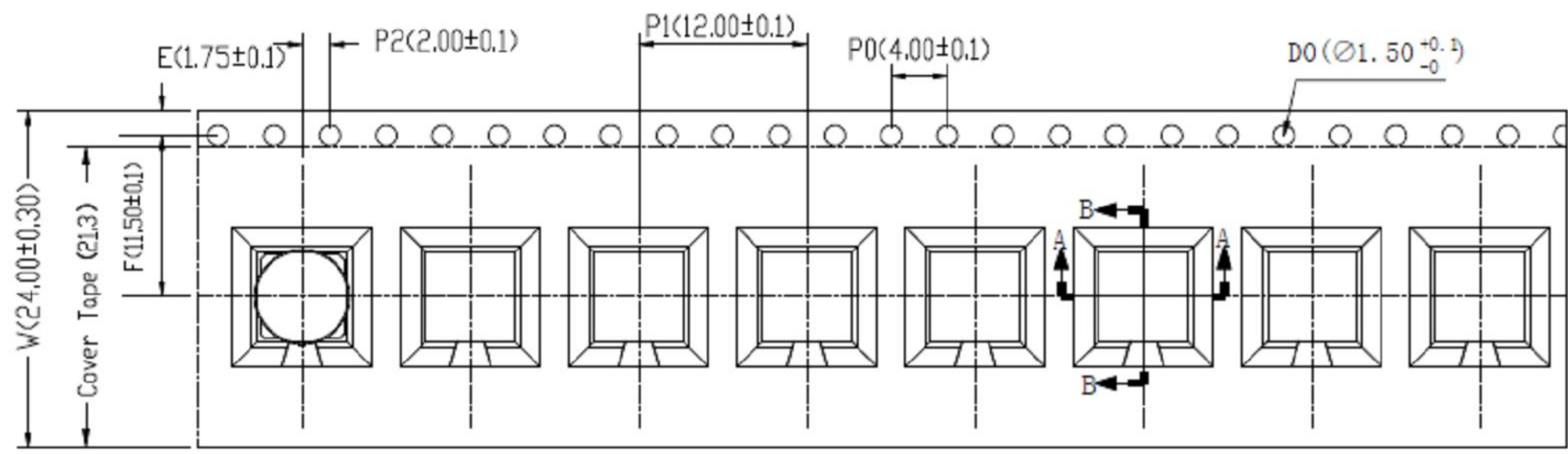
SCALE 5.000



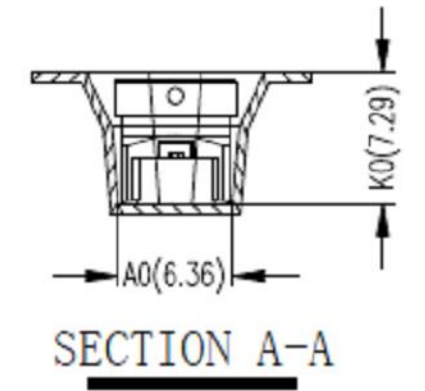
**CUSTOMER OUTLINE DRAWING**  
 ALL OTHER SHEETS ARE FOR INTERNAL USE ONLY

NOTICE: These drawings, specifications, or other data (1) are, and remain the property of Amphenol corp. (2) must be returned upon request; and (3) are confidential and not to be disclosed to any person other than those to whom they are given by Amphenol Corp. The furnishing of these drawings, specifications, or other data by Amphenol Corp., or to any other person to anyone for any purpose is not to be regarded by implication or otherwise in any manner licensing, granting rights to permitting such holder or any other person to manufacture, use or sell any product, process or design, patented or otherwise, that may in any way be related to or disclosed by said drawings, specifications, or other data.	UNLESS OTHERWISE SPECIFIED DIMENSIONS ARE METRIC (INCHES) AND TOLERANCES ARE: <0.5mm = ±0.05mm [-0.020 = ±0.002] >0.5 - 6mm = ±0.1mm [+0.020 - 0.236 = ±0.004] >6.00 - 30mm = ±0.2mm [+0.236 - 1.181 = ±0.008] >30.00 - 120mm = ±0.3mm [+1.181 - 4.725 = ±0.012]		MATERIAL NOTE 1	TITLE SMP STR JACK PCB RECEPTACLE LIMITED DETENT	Amphenol RF DRAWING NO. SMP-MSLD-PCT19T ITEM NO. SMP-MSLD-PCT19T PART NO. SMP-MSLD-PCT19T		REV A
	THIRD ANGLE PROJ.	REFERENCE SMP-MSLD-PCT-15	EAR# 9615	ANGLES = ±1°	ENGINEER B.W YMAN	DATE 13-JAN-20	SHEET NO. 2 OF 3

REVISIONS				
REV	DESCRIPTION	DATE	ECN	APPR
A	RELEASE TO MFG.	29-JUN-20	15254	EH



载带卷料方向



- Notes:**
1. 10 sprocket hole pitch cumulative tolerance  $\pm 0.20\text{mm}$   
(每10个链轮齿孔径累计公差为 $\pm 0.2\text{mm}$ )
  2. Carrier camber not to exceed  $1\text{mm}$  in  $250\text{mm}$ .  
(传送料带弯曲变形度每250MM不超过1MM)
  3. A and B measured on a plane  $0.3\text{mm}$  above the bottom of the pocket. (A0与B0在同一平面测量且距口袋底部 $0.3\text{mm}$ )
  4. K measured from a plane on the inside bottom of the pocket to the top surface of the carrier.  
(K0为口袋底部与材料表面的平面距离。)
  5. All dimensions meet EIA-481-D requirements.  
(所有尺寸符合EIA-481-D标准要求。)
  6. Material: Black Antistatic polystyrene.  
(材料: 黑色防静电聚苯乙烯。)
  7. Thickness:  $0.50 \pm 0.05 \text{ mm}$ .  
(厚度:  $0.50 \pm 0.05$ 毫米。)
  8. Packing length per 13" reel : 8.16Meters.  
(每个13"卷轴包装长度为8.16米。)
  9. Component loader per 13" reel : 600 pcs.  
(每个13"卷轴可装600个零件。)

**技术要求:**  
 在没有保护膜的情况下, 0-90度往返折弯3次, 卷带不会破裂; 冷封带 $0.3 \sim 1.3\text{N}$ ; 厚度及防静电要求需满足要求, 防静电性能使用寿命至少大于半年。载带侧壁支撑力 $2\text{kgf}$ 以上。

ITEM	W	A <sub>0</sub>	B <sub>0</sub>	K <sub>0</sub>	K <sub>1</sub>	P <sub>1</sub>	F	E	D <sub>0</sub>	D <sub>1</sub>	P <sub>0</sub>	P <sub>2</sub>	T
DIM	24±0.3	6.36±0.1	6.36±0.1	7.29±0.1		12.0±0.1	11.5±0.1	1.75±0.1	1.5 <sup>+0.1</sup> <sub>-0.00</sub>		4.0±0.1	2.0±0.1	0.5±0.05

NOTICE: These drawings, specifications, or other data (1) are, and remain the property of Amphenol corp. (2) must be returned upon request; and (3) are confidential and not to be disclosed to any person other than those to whom they are given by Amphenol Corp. The furnishing of these drawings, specifications, or other data by Amphenol Corp., or to any other person to anyone for any purpose is not to be regarded by implication or otherwise in any manner licensing, granting rights to permitting such holder or any other person to manufacture, use or sell any product, process or design, patented or otherwise, that may in any way be related to or disclosed by said drawings, specifications, or other data.

UNLESS OTHERWISE SPECIFIED DIMENSIONS ARE METRIC (INCHES) AND TOLERANCES ARE:  
 <math>0.5\text{mm} = \pm 0.05\text{mm}</math> [ $-0.020 = \pm 0.002$ ]  
 >math>0.5 - 6\text{mm} = \pm 0.1\text{mm}</math> [ $>0.020 - 0.236 = \pm 0.004$ ]  
 >math>6.00 - 30\text{mm} = \pm 0.2\text{mm}</math> [ $>0.236 - 1.181 = \pm 0.008$ ]  
 >math>30.00 - 120\text{mm} = \pm 0.3\text{mm}</math> [ $>1.181 - 4.725 = \pm 0.012$ ]  
 ANGLES =  $\pm 1^\circ$

MATERIAL  
 ENGINEER B.W.YMAN  
 DATE 13-JAN-20

TITLE  
 SMP STR JACK PCB RECEPTACLE LIMITED DETENT  
 SHEET NO. 3 OF 3  
 SCALE: 16.0:1.0

Amphenol RF  
 DRAWING NO. SMP-MSLD-PCT19T  
 ITEM NO. SMP-MSLD-PCT19T  
 PART NO. SMP-MSLD-PCT19T  
 REV A