



- 1
- 2
- 3
- 4
- 5
- 6
- 7
- 8
- 9
- 10
- 11
- 12
- 13
- 14
- 15
- 16
- 17
- 18

**MATERIAL**

High-resilience technopolymer coated with "soft-touch" thermoplastic elastomer (TPE), grey-black colour, matte finish.

**CENTRE CAP**

- ECB.G: glass-fibre reinforced polyamide based (PA) technopolymer, in Elecolors colours, matte finish, press-fit assembly. Supplied, removable by a screwdriver.

Available also as accessory sold separately (see table).

**STANDARD EXECUTIONS**

Assembly by means of a keyway or a transversal pin in the semi-machined hole f or a set screw (redrill and tap hole f).

- **EGK.SOFT**: black-oxide steel boss, H7 reamed hole.
- **EGK-SST-SOFT**: AISI 304 stainless steel boss, H7 reamed hole.

**FEATURES AND APPLICATIONS**

The special four-concave-mark shape of the knob and the "soft-touch" elastomer coating allow the best grip during clicking operation even in the presence of oils, grease and sweat from the hand. Particularly suitable for fitness machines, disability aids, tools and machines for gardening and high-precision instruments.

**ACCESSORIES ON REQUEST**

- MS.: Ball and spring for clicking operation to be fitted in the assembly hole (see page 449).
- ECB.G: glass-fibre reinforced polyamide based (PA) technopolymer centre cap, in Elecolors colours, matte finish, press-fit assembly (see table).



ERGOSTYLE® ELESA Original design

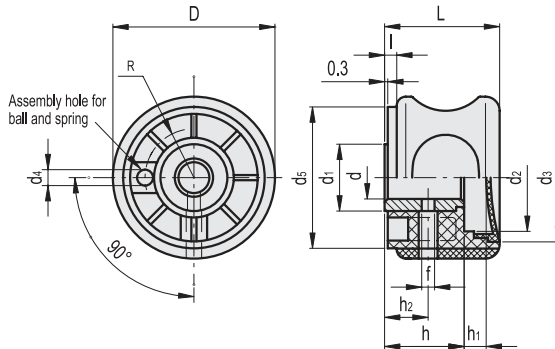
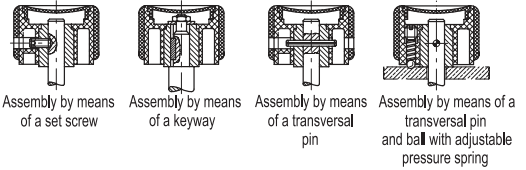
- C1** RAL7021
- C2** RAL2004
- C3** RAL7035
- C4** RAL1021
- C5** RAL5024
- C6** RAL3000
- C17** RAL6017

**ECB.G**

Code	Description	Closing cap for
29672-*	ECB.G2-*	EGK.50
29673-*	ECB.G3-*	EGK.63

\* Complete with colour index (C1, ..., C17).

Assembly examples



Conversion Table	
1 mm = 0.039 inch	
D	
mm	inch
50	1.97
63	2.48



\* Complete with colour index, example: 215161-C2 EGK.50 A-10-C2

- C1** RAL7021
- C2** RAL2004
- C3** RAL7035
- C4** RAL1021
- C5** RAL5024
- C6** RAL3000
- C17** RAL6017



**EGK.SOFT**

Code	Description	D	dH7	L	l	d1	d2	d3	d4	d5	h	h1	h2	f	R	△
215161-*	EGK.50-A10-SOFT-*	50	10	38	3.5	22	28	40	4.2	43	22	12	14	4	15	95
215181-*	EGK.63-A12-SOFT-*	63	12	44	3.5	26	42	49.5	6.2	55	30	9	16	5	19	185

**EGK-SST-SOFT**



Code	Description	D	dH7	L	l	d1	d2	d3	d4	d5	h	h1	h2	f	R	△
215189-*	EGK.50-SST-6-SOFT-*	50	6	38	3.5	22	28	40	4.2	43	22	12	14	4	15	100
215191-*	EGK.50-SST-8-SOFT-*	50	8	38	3.5	22	28	40	4.2	43	22	12	14	4	15	97
215196-*	EGK.63-SST-10-SOFT-*	63	10	44	3.5	26	42	49.5	6.2	55	30	9	16	5	19	180