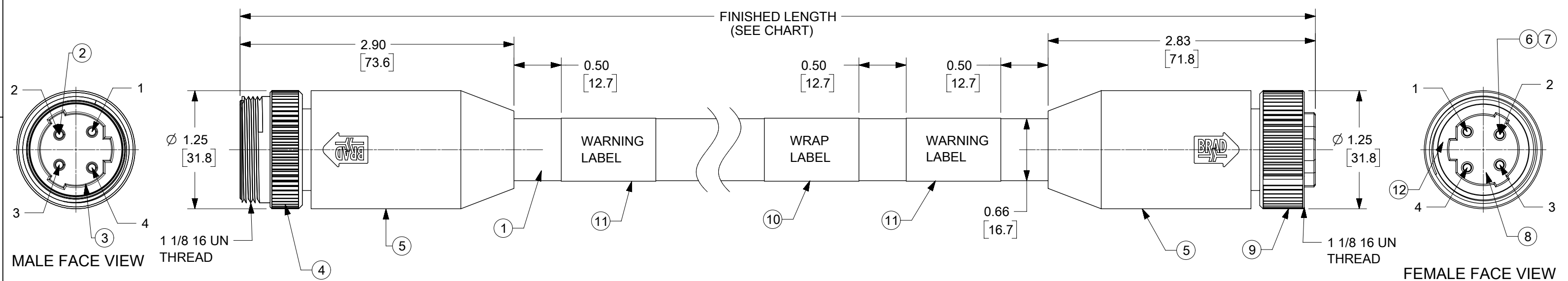
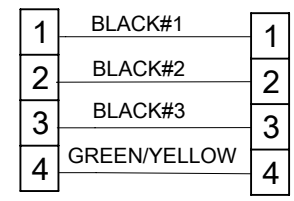


PART NO.	ENGINEERING NO.	FINISHED LENGTH	CHART
1300620301	334T30K09M010A3	1.00 M (3.28 FT)	
1300620302	334T30K09M020A3	2.00 M (6.56 FT)	
1300620303	334T30K09M030A3	3.00 M (9.84 FT)	



- NOTE:
- 1) MATERIAL: SEE TABLE
  - 2) FINISHES: SEE TABLE
  - 3) FLAG LABEL IS MARKED WITH PART No., DATE CODE, VOLTAGE AND AMPERAGE
  - 4) ELECTRICAL DATA  
POLE: 4  
MAX. VOLTAGE: IEC60664 600V  
UL2237 600V  
MAX. CURRENT: 25A
  - 5) ENVIRONMENTAL  
PROTECTION: IP67  
TEMPERATURE RATING: -20C TO 90C
  - 6) PACKAGING:  
ASSEMBLIES ARE BAGGED SEPARATELY IN POLY BAGS WITH BAR CODE LABEL ATTACHED TO OUTSIDE OF BAG
  - 7) ASSEMBLY IS RoHS COMPLIANT
  - 8) CERTIFICATION: UL2237 PENDING
  - 9) DIMENSIONS ARE REFERENCE ONLY UNLESS OTHERWISE SPECIFIED
  - 10) MINIMUM BEND RADIUS: 10 X CABLE DIAMTER (0.656")

WIRING DIAGRAM

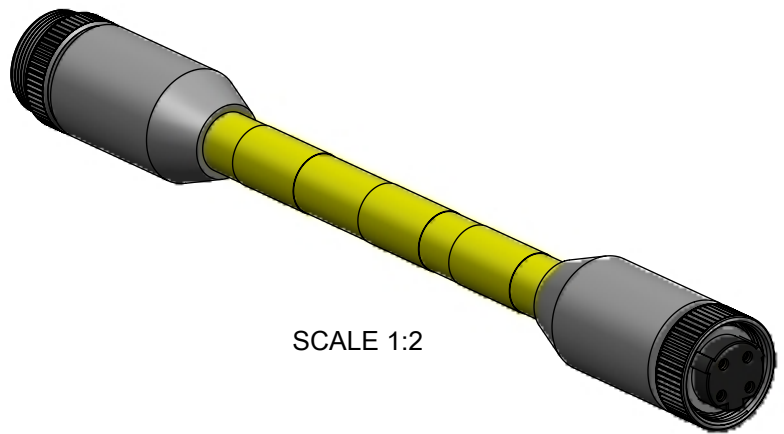


PART NUMBER MATRIX

# 334T30K09M010A3

CABLE TYPE  
12/4C AWG  
SHIELDED  
HIGH FLEX

FINISH LENGTH  
M005 = 0.5 METER  
M010 = 1 METER  
M100 = 10 METER



ITEM	DESCRIPTION	MATERIAL	FINISH
12	GASKET SEAL	SILICONE	LIGHT GRAY
11	WARNING LABEL	VINYL	MULTI COLOR
10	WRAP LABEL	VINYL	YELLOW
9	FEMALE COUPLING NUT	BRASS	NICKEL PLATED
8	4P FEMALE INSERT	TPE	BLACK
7	SOCKET SLEEVE	STAINLESS STEEL	
6	SOCKET CONTACT	BRASS	GOLD PLATED
5	OVER MOLD	TPE	GRAY
4	MALE COUPLING NUT	BRASS	NICKEL PLATED
3	4P MALE INSERT	TPE	BLACK
2	PIN CONTACT	BRASS	GOLD PLATED
1	12/4C AWG SHLD HIGH-FLEX, VFD	TPE JACKET, XLPE INSUL	YELLOW

CABLE LENGTH TOLERANCES  
 >.3M [1FT]: +19mm-0 [+75in-0]  
 .3 - .9M [1 - 3FT]: +44.5mm-0 [+1.75in-0]  
 .9 - 1.8M [3 - 6FT]: +55.6mm-0 [+2.19in-0]  
 1.8 - 3.7M [6 - 12FT]: +88.9mm-0 [+3.50in-0]  
 3.7 - 7.3M [12 - 24FT]: +165.1mm-0 [+6.50in-0]  
 7.3-14.6M [24 - 48FT]: +317.5mm-0 [+12.50in-0]  
 14.6 - 30.5M [48-100FT]: +622.3mm-0 [+24.50in-0]  
 OVER 30M [100FT] +2% OF FINISHED LENGTH

THIS DRAWING CONTAINS INFORMATION THAT IS PROPRIETARY TO MOLEX ELECTRONIC TECHNOLOGIES, LLC AND SHOULD NOT BE USED WITHOUT WRITTEN PERMISSION

QUALITY SYMBOLS	CHANGE DOC TYPE EC NO: 176042 DRWN: MZIELINSKI CHKD: CCHRSTKA APPR: BWOODMAN 2018/05/02 2018/05/02 2018/05/03	GENERAL TOLERANCES (UNLESS SPECIFIED)	DIMENSION UNITS	SCALE			
▽ = 0		HYBRID	1:1				
▽ = 0		ANGULAR TOL ± °	DRWN BY	DATE			
▽ = 0		4 PLACES ±	MZIELINSKI	2017/04/11			
▽ = 0	3 PLACES ±	CHK'D BY	DATE				
▽ = 0	2 PLACES ±	TWOLDEGBRIE	2017/06/27				
▽ = 0	1 PLACE ±	APPR BY	DATE				
▽ = 0	0 PLACES ±	BWOODMAN	2017/06/30				
▽ = 0	DRAFT WHERE APPLICABLE MUST REMAIN WITHIN DIMENSIONS	DRAWING SIZE	THIRD ANGLE PROJECTION	SERIES	MATERIAL NUMBER	CUSTOMER	
▽ = 0		B		130062	SEE CHART/MATRIX		
				DOCUMENT NUMBER	DOC TYPE	DOC PART	SHEET NUMBER
				1300620301	PSD	000	1 OF 1