

PA40-44-P64-Dx-QF Data Sheet

40 pin DIP socket/44 pin QFP plug

Supported Device/Footprints

The PA40-44-P64-Dx-QF adapter accepts 40 pin DIP devices and has a removable 44 pin QFP solder-down plug. This allows DIP devices, or emulators with DIP plugs, to be used during development of QFP based products. Other devices that require the same wiring and footprint would also be supported.

The following DIP device footprints are converted to the indicated QFP footprint.

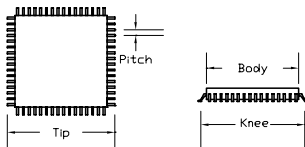
Microchip: PIC16C64, PIC16C64A, PIC16C65, PIC16C65A, PIC16C74, PIC16C74A, PIC16C77

Footprint: Same device 44MQFP

This QFP plug will fit most 44 pin, 0.8mm pitch, QFP land patterns. Usually the pads extend from the body past the tip of the device leads. This plug will fit on pads that have a minimum span of 10.0mm or less and a maximum span of 12.0mm or more.

Inner pad span	Outer pad span
10.0mm or less	12.0mm or more

The QFP Plug's leads are dimensioned as follows.



Plug	Body	Knee	Tip	Pitch
PQF-44	10.0 mm typ	9.6 mm typ	12.0 mm typ	0.8 mm

Adapter Construction

The adapter is made up of 2 or 3 sub-assemblies. They assemble via connectors making the adapter modular. This way the sub-assemblies can be replaced easily.

When disassembling the adapter take care not to bend the pins. When reassembling the adapter note the pin 1 indicators to align the parts correctly.

The following chart lists the adapters described by this datasheet and their subassemblies.

Adapter	Test Socket	Circuit Board	QFP Plug
PA40-44-P64-DZ-QF	40-ADZ *	P64-DQ	PQF-44
PA40-44-P64-DP-QF	none *	P64-DQ	PQF-44

* The circuit board always has a 40 pin DIP production socket. The optional test socket plugs into the production socket.

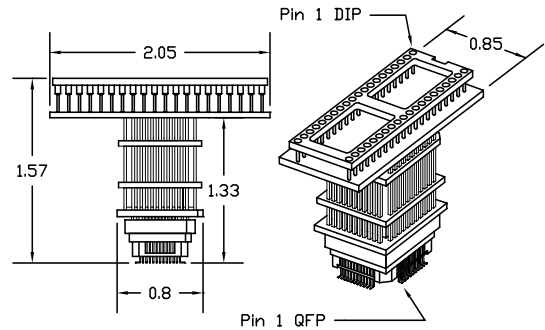
Test Socket

LSC #	Style	Mfgr/Pn
40ADZ	DIP ZIF	Aries 40-6554-11

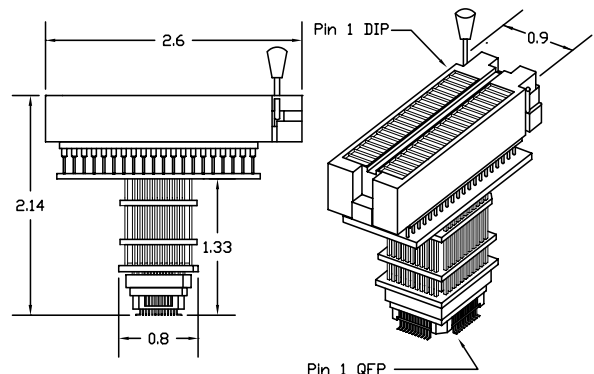
QFP Plug

The QFP plug is removable. One is included with the adapter. Additional QFP plugs may be ordered as PQF-44. This allows the adapter to be used on several prototypes without desoldering.

Adapter Dimensions



PA40-44-P64-DP-QF



PA40-44-P64-DZ-QF

Note: QFP Pin 1 is in the lower right corner. Microchip packaged the QFP with a 180 degree rotation from the DIP & PLCC.

Adapter Wiring

The following chart shows the connections from the DIP device to the adapter's QFP plug.

DEVICE	SIGNAL	PLUG	PLUG	SIGNAL	DEVICE
1	MCLR/Vpp	18	17	RB 7	40
2	RA0	19	16	RB 6	39
3	RA1	20	15	RB 5	38
4	RA2	21	14	RB 4	37
5	RA3	22	13	N/C	-
6	RA4/TOCKI	23	12	N/C	-
7	RA5/SS	24	11	RB 3	36
8	RE0/RD	25	10	RB 2	35
9	RE1/WR	26	9	RB 1	34
10	RE2/CS	27	8	RB0/INT	33
11	VDD	28	7	VDO	32
12	VSS	29	6	VSS	31
13	OSC1/CLKIN	30	5	RD7/PSP7	30
14	OSC2/CLKOUT	31	4	RD6/PSP6	29
15	RC0/T1CKI	32	3	RD5/PSP5	28
-	N/C	33	2	RD4/PSP4	27
-	N/C	34	1	RC7	26
16	RC1/T1CKO	35	44	RC6	25
17	RC2/CCP1	36	43	RC5/SDO	24
18	RC3/SCK/SCL	37	42	RC4/SDI/SDA	23
19	RD0/PSP0	38	41	RD3/PSP3	22
20	RD1/PSP1	39	40	RD2/PSP2	21