

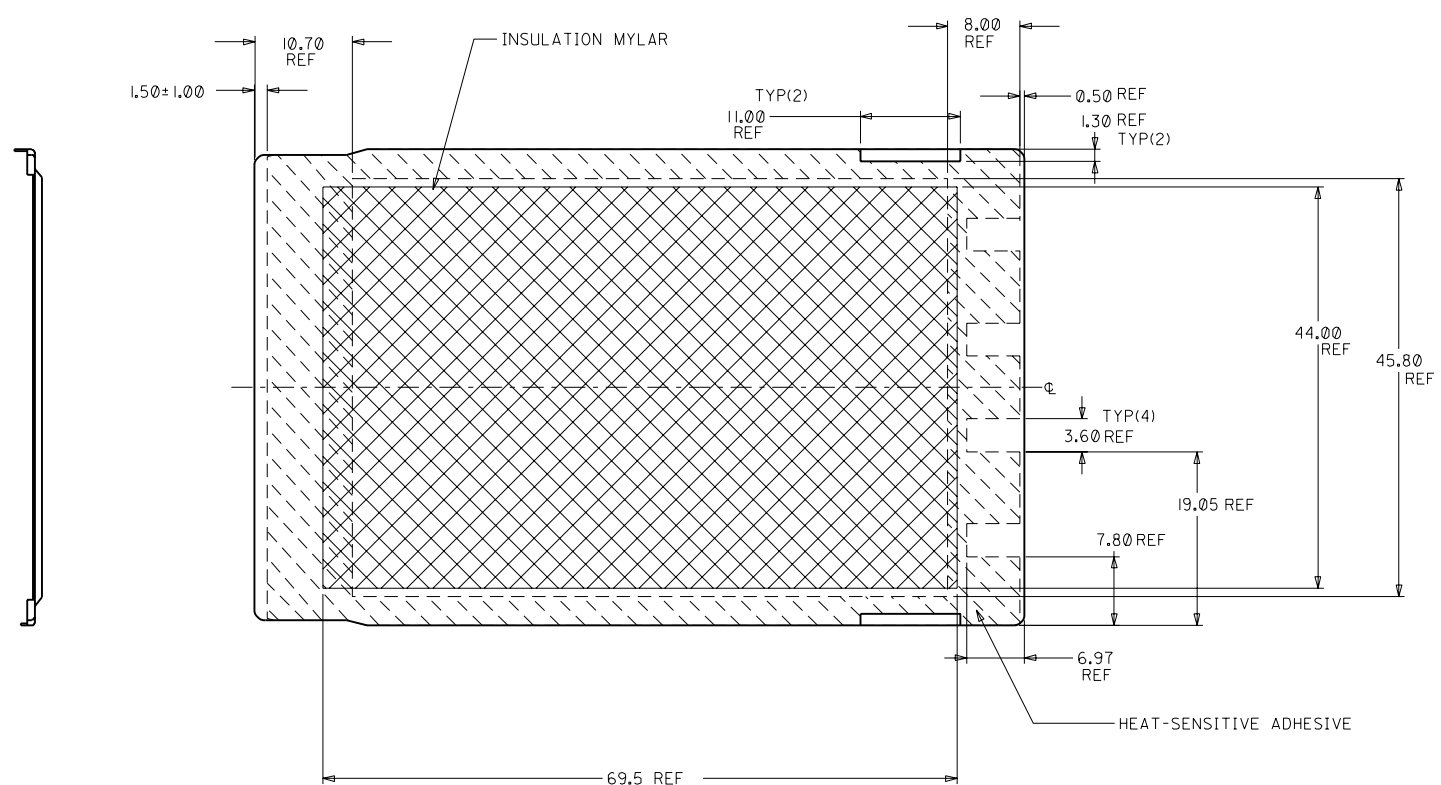
8 7 6 5 4 3 2 1

ENG. NO SDE-89436-00**

EDP NO.

SIMILAR ITEM

CAD FILE : _S8943603



P/N : 89436-00*1
 (ADHESIVE TAPE CUT OUT FOR ISP SHIELDED I/O)

DO NOT SCALE DRAWING

						MATERIAL :		MOLEX TAIWAN LTD. SHEET 3 OF 3
						FINISH :		
						WIRE RANGE :		GENERAL TOLERANCES ANGLE : ± 3° DIM : ± .25 / .010
						INS. RANGE :		ENG. NO. : SDE-89436-00**
A	NEW OPTION	T98-238	THOMAS	980113			REV A	
LTR	REVISION RECORD	ECN	DR	DATE	DRAWN BY THOMAS CHANG	CHK'D BY	TITLE : COVER, TYPE II MEMORY CARD	
REVISE ONLY ON CAD SYSTEM						APPR'D BY	SCALE 2:1	

ENG. NO SDE-89436-00**

EDP NO.

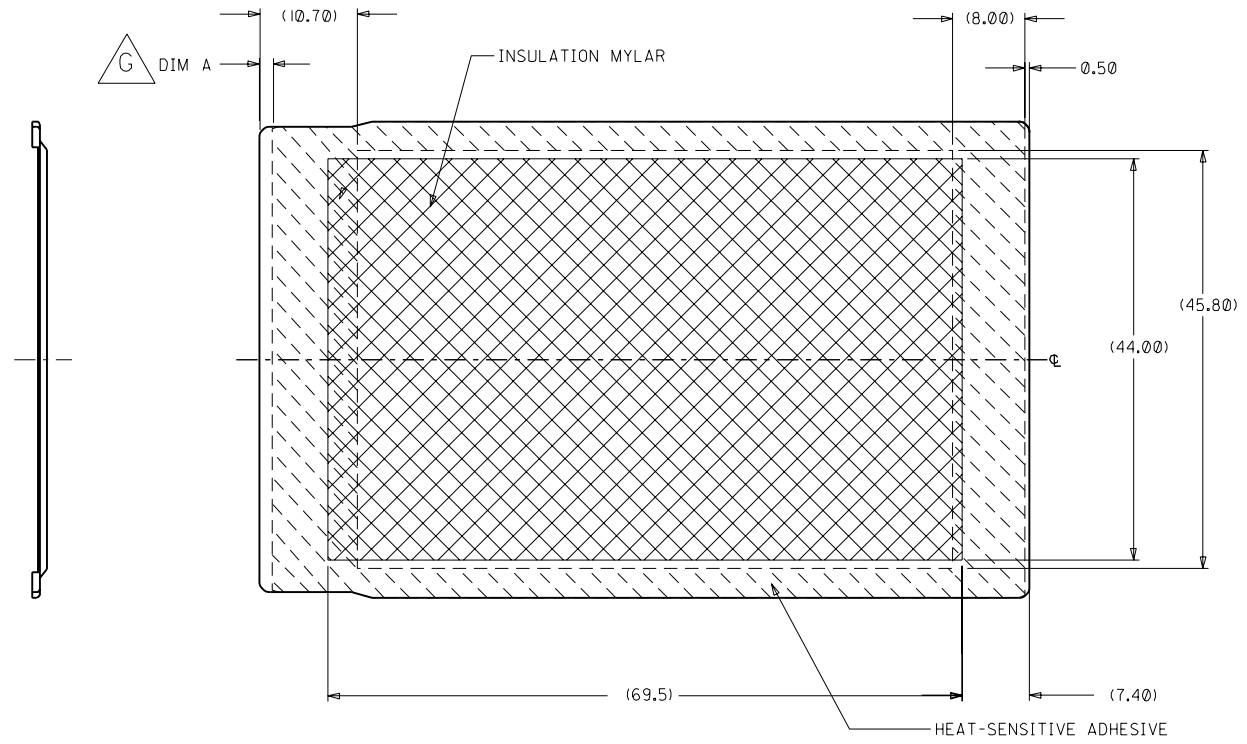
SIMILAR ITEM

CAD FILE : S8943602

DO NOT SCALE DRAWING

8 7 6 5 4 3 2 1

F
E
D
C
B
A



△ G P/N : 89436-00*0 (DIM A= 1.50±1.0)
89436-00*2 (DIM A= 2.50±1.0)

				MATERIAL :		MOLEX TAIWAN LTD.	
				FINISH :		SHEET 2 OF 3	
				WIRE RANGE :		GENERAL TOLERANCES	
				INS. RANGE :		ANGLE : ± 3° DIM : ± .25/0.10	
				DRAWN BY 960227 Julio Hung		ENG. NO. SDE-89436-00**	
				CHK'D BY		REV G	
				APPR'D BY		TITLE : COVER, TYPE II MEMORY CARD	
				SCALE 2:1			
REVISION RECORD							
LTR	REVISION RECORD	ECN	DR	DATE			