

THIS DRAWING IS UNPUBLISHED.

RELEASED FOR PUBLICATION

ALL RIGHTS RESERVED.

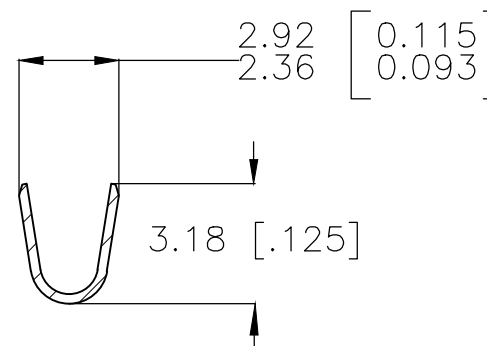
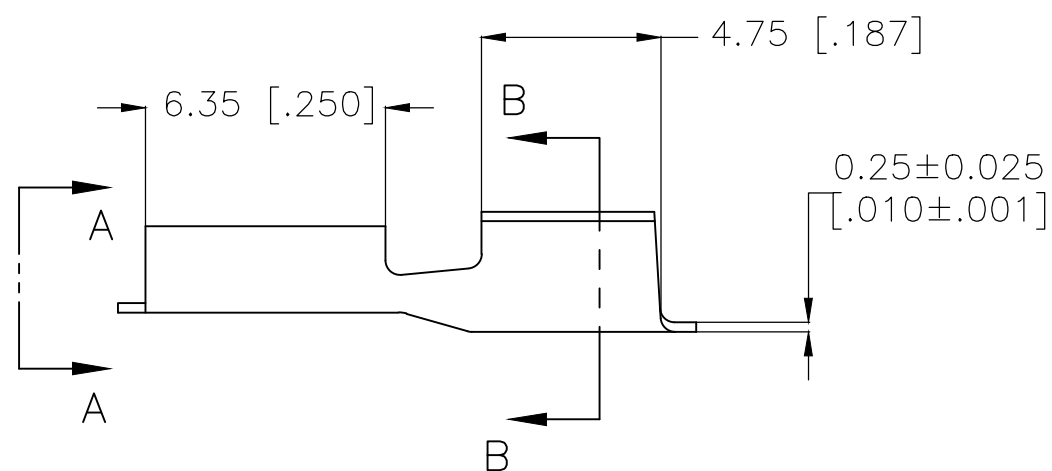
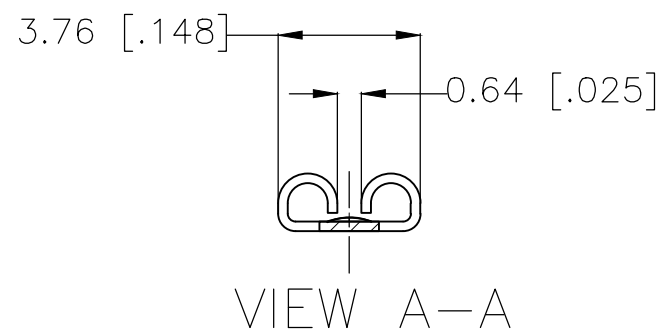
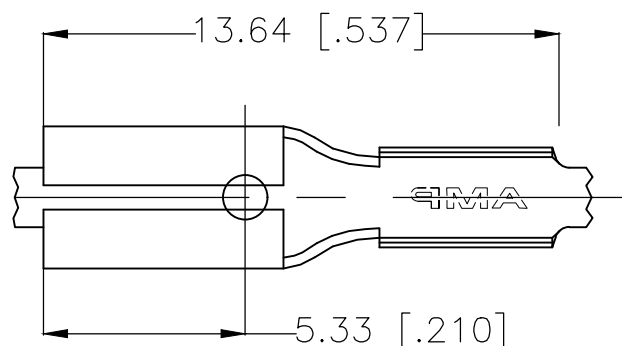
© COPYRIGHT - By -

LOC AF DIST 50

REVISIONS

P	LTR	DESCRIPTION	DATE	DWN	APVD
	D2	REVISED PER ECR-19-018151	12NOV2020	AA	EW

- △1 CONTINUOUS STRIP ON REELS
- △2 REELED ON PLASTIC REELS
- △3 FINISH LEAD-FREE, MATTE TIN OVER NICKEL



SECTION B-B

OBSOLETE	[20-16] AWG	0.41±0.025 [.016±.001]	△3	61457-3
			PRE-TIN	△2 61457-2
			PRE-TIN	61457-1
WIRE SIZE	MATING TAB THK	FINISH	PART NO.	

THIS DRAWING IS A CONTROLLED DOCUMENT.		DWN JR RUTH 30NOV00	STE TE Connectivity			
DIMENSIONS: mm [INCHES]		CHK MS FEHER 30NOV00				
TOLERANCES UNLESS OTHERWISE SPECIFIED:		APVD P DESANTIS 30NOV00	NAME RECEPTACLE, FASTON, 2.79 [.110] SERIES			
0 PLC ± -		PRODUCT SPEC -	SIZE	CAGE CODE	DRAWING NO	RESTRICTED TO
1 PLC ± -		APPLICATION SPEC -	A300779		C-61457	-
2 PLC ± 0.38 [.015]		WEIGHT -	CUSTOMER DRAWING		SCALE 5:1	SHEET 1 OF 1
3 PLC ± -					REV D2	
4 PLC ± -						
ANGLES ± -						
FINISH SEE TABLE						