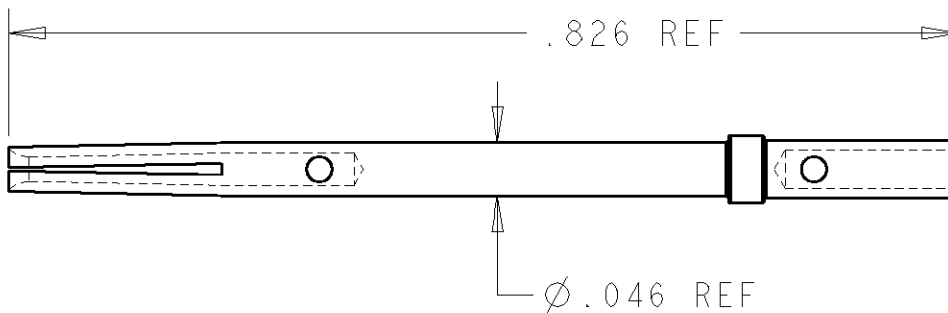


LOC	DIST	REVISIONS				
P	LTR	DESCRIPTION	DATE	DWN	APVD	
DF	A5	0	DRAWN - RELEASED PER OH14-0039-05	12JAN2005	BY RW	



1. THIS SOCKET CONTACT IS A REPLACEMENT COMPONENT FOR USE ON QUADRAX SOCKET ASSEMBLY AS SHOWN ON THE FOLLOWING DRAWING(S): 1445693.

20

RELEASED FOR PUBLICATION

THIS DRAWING IS UNPUBLISHED.

© COPYRIGHT 20 BY TYCO ELECTRONICS CORPORATION. ALL RIGHTS RESERVED.

50	1445700-5
BULK PACKAGE QUANTITY	PART NUMBER

DIMENSIONS: IN	DWN Brent D. Yohn	12JAN2005	MATERIAL	-	FINISH	-
	CHK R.P. WALTER	13JAN2005	Tyco Electronics Harrisburg, PA 17105-3608			
TOLERANCES UNLESS OTHERWISE SPECIFIED:	APVD R.P. WALTER	13JAN2005				
0 PLC ±-	PRODUCT SPEC		NAME CONTACT, SOCKET, CRIMP, SIZE 24, QUADRAX			
1 PLC ±-	-					
2 PLC ±-	APPLICATION SPEC		SIZE	CAGE CODE	DRAWING NO	RESTRICTED TO
3 PLC ±-	-		A4	00779	C=1445700	-
4 PLC ±-	WEIGHT		CUSTOMER DRAWING			
ANGLES ±-	-		SCALE	6:1	SHEET	1 OF 1
		-		REV	0	