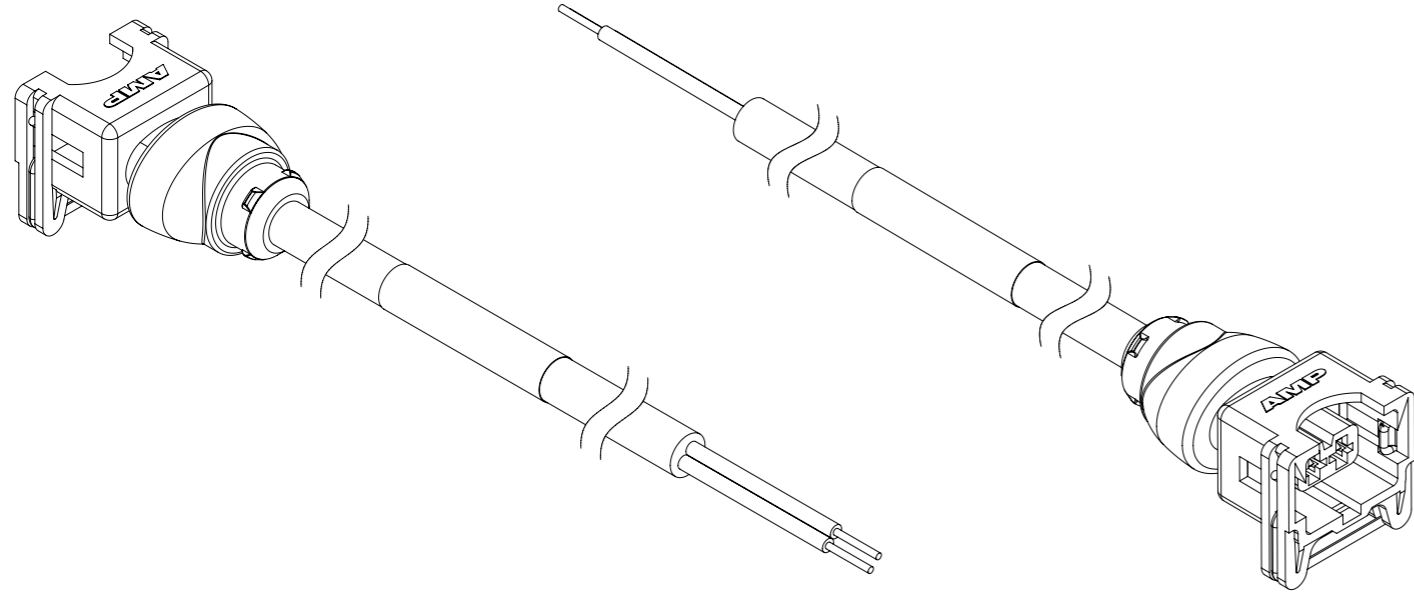
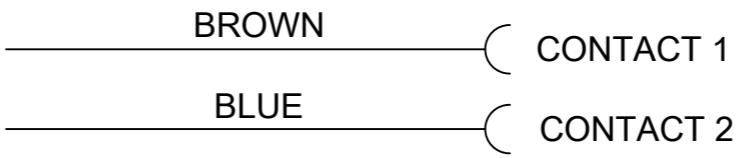


FRONT FACE VIEW

WIRING DIAGRAM



SCALE 1:1

NOTES:

- ELECTRICAL DATA:
MAX. VOLTAGE RATING: 24V
MAX. CURRENT RATING: 0.5mm² - 2.5A / 0.75mm² - 3.75A / 1mm² - 5A
- ENVIRONMENTAL:
TEMPERATURE: SEE CABLE SHEET 2
INTERNATIONAL PROTECTION RATING: IP67
- PACKAGING: BULK PACKED IN CARTON BOX
- FOR MORE INFORMATION SEE PRODUCT SPECIFICATION 1213080001 PS P00

ITEM	QTY.	DESCRIPTION	MATERIAL	FINISH
7	1	YELLOW LABEL	VINYL	---
6	L+T	CABLE	SEE SHEET 2	---
5	-	OVERMOLD MATERIAL	TPU	---
4	1	HOUSING	PA 6.6 GFV 30	---
3	1	SPRING	DIN 2076	---
2	1	SEALING	SILICONE	---
1	2	CONTACT FEMALE	PHOSPHOR BRONZE	TIN

SYMBOLS ▽ = 0 DIMENSION UNITS ▽ = 0 SCALE ▽ = 0 mm 2:1 ▽ = 0 GENERAL TOLERANCES (UNLESS SPECIFIED) ▽ = 0 ANGULAR TOL ± ° ▽ = 0 4 PLACES ± ▽ = 0 3 PLACES ± ▽ = 0 2 PLACES ± ▽ = 0 1 PLACE ± ▽ = 0 0 PLACES ± ■ = 0 DRAFT WHERE APPLICABLE MUST REMAIN WITHIN DIMENSIONS ▽ = 0	THIS DRAWING CONTAINS INFORMATION THAT IS PROPRIETARY TO MOLEX ELECTRONIC TECHNOLOGIES, LLC AND SHOULD NOT BE USED WITHOUT WRITTEN PERMISSION		CURRENT REV DESC: EC NO: 635611 DRWN: APAWLAK01 2020/04/09 CHK'D: RSILLER 2020/04/09 APPR: RSILLER 2020/04/09		 CSE JT SHORT OVM 2P FE STR XM SE PRODUCT CUSTOMER DRAWING		
	INITIAL REVISION: DRWN: JMARSZALEK 2017/03/02 APPR: RSILLER 2017/05/18		DOCUMENT NUMBER 1213080001	DOC TYPE PSD		DOC PART 000	REVISION A2
	THIRD ANGLE PROJECTION 	DRAWING A3-SIZE	SERIES 121308	MATERIAL NUMBER SEE SHEET 3		CUSTOMER GENERAL MARKET	SHEET NUMBER 1 OF 3
	DOCUMENT STATUS P1 RELEASE DATE 2020/04/09 14:16:12						

ENGINEERING NO. - NUMERICAL CODE (Available parts see PART LIST table. Others on request).

J T 2 1 0 0 0 0 X X X X X - - - X X

JT=Junior Timer
Small Overmold

Contacts:
2=2 Contacts

0000=No connector

Cable Code:
See Table with Cables

Length Examples:
060=0.6m 1K0=10m
100=1m 1K5=15m

No circuit
(when customized 000)

Customization:
-=no customization
01=single bag MOLEX packaging

Gender & Cable entry:
1=Straight, Female Contacts

CABLES INFORMATION (for more information see Cable Data Sheet).

CABLE CODE	NO. OF WIRES	CROSS SECTION	JACKET O.D.	CABLE JACKET	UL	CSA	STATIC: TEMP. / MIN. BENDING RADIUS	DYNAMIC: TEMP. / MIN. BENDING RADIUS	DRAG CHAIN: TEMP. / MIN. BENDING RADIUS
N2	2	0.5mm ²	4.8mm	PVC BLACK	-	-	-20°C to +70°C, 3xO.D.	-15°C to +70°C, 5xO.D.	-
N3	2	0.75mm ²	5.8mm	PVC BLACK	-	-	-20°C to +70°C, 3xO.D.	-15°C to +70°C, 5xO.D.	-
P2	2	0.5mm ²	5.5mm	PUR BLACK	-	-	-40°C to +90°C, 7.5xO.D.	-15°C to +90°C, 12.5xO.D.	-
P3	2	0.75mm ²	6.5mm	PUR BLACK	-	-	-40°C to +90°C, 7.5xO.D.	-15°C to +90°C, 12.5xO.D.	-
B2	2	20AWG	5.6mm	PUR BLACK	UL 20668 / UL1581	C22.2 II A 90°/300V	-40°C to +90°C, 5xO.D.	-15°C to +90°C, 10xO.D.	-
B3	2	18AWG	6.2mm	PUR BLACK	UL 20668 / UL1581	C22.2 I/II A/B 90°/300V	-40°C to +90°C, 5xO.D.	-15°C to +90°C, 10xO.D.	-
W2	2	0.5mm ²	5.2mm	WSOR BLACK	UL 21215	CSA FT-1	-40°C to +90°C, 5xO.D.	-25°C to +80°C, 7.5xO.D.	-5°C to +60°C, 7.5xO.D.
W3	2	0.75mm ²	6.0mm	WSOR BLACK	UL 21215	CSA FT-1	-40°C to +90°C, 5xO.D.	-25°C to +80°C, 7.5xO.D.	-5°C to +60°C, 7.5xO.D.
W4	2	1.0mm ²	6.7mm	WSOR BLACK	UL 21215	CSA FT-1	-40°C to +90°C, 5xO.D.	-25°C to +80°C, 7.5xO.D.	-5°C to +60°C, 7.5xO.D.

CABLE LENGTH TOLERANCES

LENGTH	TOLERANCE
shorter than 1m	+40 mm
>1m-5m	+60 mm
>5m-10m	+80 mm
>10m-20m	+140 mm
>20m-30m	+160 mm
longer than 30m	+1% length


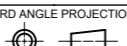
SYMBOLS	THIS DRAWING CONTAINS INFORMATION THAT IS PROPRIETARY TO MOLEX ELECTRONIC TECHNOLOGIES, LLC AND SHOULD NOT BE USED WITHOUT WRITTEN PERMISSION		CURRENT REV DESC:		molex
	▽ = 0	mm	SCALE	1:1	
	▽ = 0	GENERAL TOLERANCES (UNLESS SPECIFIED)			
	▽ = 0	ANGULAR TOL ± °			
▽ = 0	4 PLACES	±	EC NO: 635611		
▽ = 0	3 PLACES	±	DRWN: APAWLAK01	2020/04/09	
▽ = 0	2 PLACES	±	CHK'D: RSILLER	2020/04/09	
▽ = 0	1 PLACE	±	APPR: RSILLER	2020/04/09	
▽ = 0	0 PLACES	±	INITIAL REVISION:		
□ = 0	DRAFT WHERE APPLICABLE MUST REMAIN WITHIN DIMENSIONS		DRWN: JMARSZALEK	2017/03/02	
▽ = 0	THIRD ANGLE PROJECTION		APPR: RSILLER	2017/05/18	
DRAWING		SERIES	MATERIAL NUMBER	CUSTOMER	DOCUMENT NUMBER
A3-SIZE		121308	SEE SHEET 3	GENERAL MARKET	1213080001
SHEET NUMBER		DOC TYPE		DOC PART	REVISION
2 OF 3		PSD		000	A2

PART LIST

No.	Molex P/N	Engineering no.	Cable Length
1	1213080001	JT210000P3100	1m
2	1213080002	JT210000P3300	3m
3	1213080003	JT210000P3500	5m
4	1213080004	JT210000P31K0	10m
5	1213080005	JT210000W3100	1m
6	1213080006	JT210000W3300	3m
7	1213080007	JT210000W3500	5m
8	1213080008	JT210000W31K0	10m
9	1213080009	JT210000W2060	0.6m
10	1213080010	JT210000W2300	3m
11			
12			
13			
14			
15			
16			
17			
18			
19			
20			
21			
22			
23			
24			
25			
26			
27			
28			
29			
30			

No.	Molex P/N	Engineering no.	Cable Length
31			
32			
33			
34			
35			
36			
37			
38			
39			
40			
41			
42			
43			
44			
45			
46			
47			
48			
49			
50			
51			
52			
53			
54			
55			
56			
57			
58			
59			
60			

No.	Molex P/N	Engineering no.	Cable Length
61			
62			
63			
64			
65			
66			
67			
68			
69			
70			
71			
72			
73			
74			
75			
76			
77			
78			
79			
80			
81			
82			
83			
84			
85			
86			
87			
88			
89			
90			

SYMBOLS ▽ = 0 ▽ = 0 ▽ = 0 ▽ = 0 ▽ = 0 ▽ = 0 ▽ = 0 ▽ = 0 ▽ = 0 ▽ = 0 ▽ = 0	THIS DRAWING CONTAINS INFORMATION THAT IS PROPRIETARY TO MOLEX ELECTRONIC TECHNOLOGIES, LLC AND SHOULD NOT BE USED WITHOUT WRITTEN PERMISSION		DIMENSION UNITS SCALE mm 1:1		CURRENT REV DESC: EC NO: 635611 DRWN: APAWLAK01 2020/04/09 CHK'D: RSILLER 2020/04/09 APPR: RSILLER 2020/04/09		 CSE JT SHORT OVM 2P FE STR XM SE	
	GENERAL TOLERANCES (UNLESS SPECIFIED) ANGULAR TOL ± °		INITIAL REVISION: DRWN: JMARSZALEK 2017/03/02 APPR: RSILLER 2017/05/18		PRODUCT CUSTOMER DRAWING			
	4 PLACES ± 3 PLACES ± 2 PLACES ± 1 PLACE ± 0 PLACES ±		DRAFT WHERE APPLICABLE MUST REMAIN WITHIN DIMENSIONS		DOCUMENT NUMBER 1213080001			
	THIRD ANGLE PROJECTION 		DRAWING SERIES A3-SIZE 121308		MATERIAL NUMBER CUSTOMER SEE PART LIST GENERAL MARKET		SHEET NUMBER 3 OF 3	