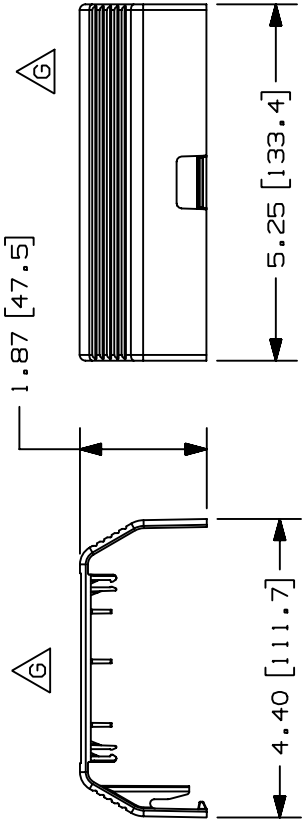


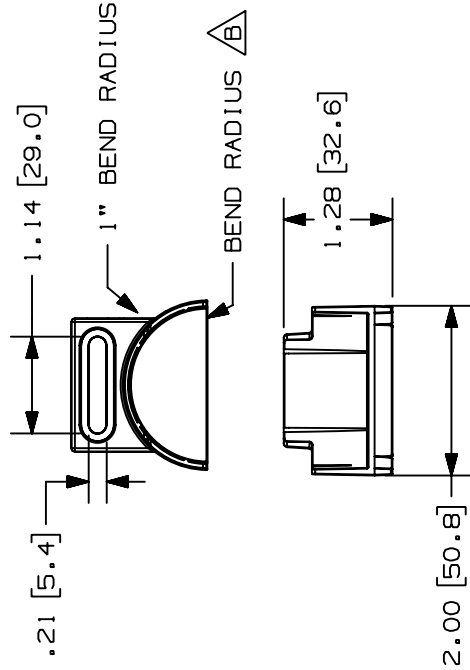
THIS COPY IS PROVIDED ON A RESTRICTED BASIS AND IS NOT TO BE USED IN ANY WAY DETRIMENTAL TO THE INTERESTS OF PANDUIT CORP.



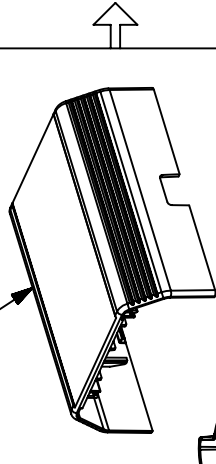
PANDUIT P/N	WEIGHT
T70TRC	.179 LBS/PC (107.16 g/PC)



- NOTES:
- SEE CURRENT CATALOG FOR ADDITIONAL PART SUFFIXES TO INDICATE COLOR AND OR PACKAGE QUANTITY.
 - THIS PRODUCT IS INTENDED TO BE USED WITH PANDUIT TYPE LDS, LDP, LD, PD, T70, AND T45 RACEWAYS.
 - DIMENSIONS IN PARENTHESES ARE IN METRIC.



COVER



INSERT



CAD FILENAME/LAYERS D35541CX_DC_T70TRC_04A.prt

PANDUIT

CORP. TINLEY PARK, ILLINOIS

T-70 TRANSITION COVER WITH BEND RADIUS (T70TRC)

CUSTOMER DRAWING

UNLESS OTHERWISE SPECIFIED, DIMENSIONAL TOLERANCES ARE:
(.X) ± (.XXX) ±
(.XX) ± (.031.8) ANGLES ±

UNLESS OTHERWISE SPECIFIED, ALL DIMENSIONS ARE GIVEN IN INCHES, THIRD ANGLE PROJECTION.

DRAWN BY MAT'L:

SCALE NONE

DATE 10-07-96

MAT'L: PVC

CHECKED BY CEF

DRAWING NO. 35541-50

DRG

SIZE A

REV	DATE	BY	CHK	DESCRIPTION	ECN	CHK	CUST	SUP
-								
5	05-18-04	JBN	BKR	K. REVISED WEIGHT PER PC: WAS PER 10 PCS J. REVISED NOTE #2 I. REVISED CAD FILE NAME	35541-50	RGRO	RGRO	
4	01-13-00	JHNU	BKR	H. ADDED T70 AND T45 TO NOTE 2 G. REVISED GEOMETRY FOR T45 BREAKOUT	35541-50	H1W	H1W	
3	12-17-98	JHNU	H1W	F. 1.79 LB WAS 1.63LB, 107166 WAS 97426 E. PVC WAS ABS/POLYCARBONATE D. T-70 WAS T70	35541-50	H1W	H1W	
2	06-22-98	DW	CEF	C. TITLE WAS SINGLE 70 TRANSITION B. ADDED TRANSITION BEND RADIUS	35541-50	CEF	CEF	
1	10-18-96	PM	CEF	A. REVISED BREAKOUT GEOMETRY	35541-50	CEF	CEF	
R	10-07-96	PM	CEF	RELEASED TO PRODUCTION	35541-50	CEF	CEF	