

## SACC-EC-M12MS-4CON-M16/0,5

This product has been replaced by a newer version.


Order No.: 1501647



<http://eshop.phoenixcontact.de/phoenix/treeViewClick.do?UID=1501647>

Sensor/Actuator flush-type plug, 4-pos., M12, A-coded, front/screw mounting with M16 thread, can be positioned, with 0.5 m TPE litz wire, 4 x 0.34 mm<sup>2</sup>

### Commercial data

GTIN (EAN)	 4 017918 821449
Note	Made-to-order
sales group	D125
Pack	1 pcs.
Customs tariff	85444290
Catalog page information	Page 19 (PC-2007)

### Product notes

WEEE/RoHS-compliant since:  
09/06/2006



<http://www.download.phoenixcontact.com>  
Please note that the data given here has been taken from the online catalog. For comprehensive information and data, please refer to the user documentation. The General Terms and Conditions of Use apply to Internet downloads.

### Technical data

#### General data

Rated current at 40°C	4 A
Rated voltage	250 V
Number of positions	4

Volume resistance	$\leq 3 \text{ m}\Omega$
Insulation resistance	$\geq 100 \text{ M}\Omega$
Length of cable	0.5 m
Ambient temperature (operation)	-25 °C ... 85 °C (Male connector / female connector)

#### General characteristics

Coding	A - standard
Surge voltage category	II
Pollution degree	3
Degree of protection	IP67
Contact material	CuZn
Contact surface material	Au
Contact carrier material	PA66 GF
Material, knurls	Zinc die-cast, (nickel-plated)
Sealing material	NBR
Mounting type	Front mounting M16 x 1.5 With locking nut
Type of connection	Individual wires
Status display	No

#### Conductor data

Cable type	TPE litz wire
Conductor cross section	0.34 mm <sup>2</sup>
AWG signal line	22
Conductor structure signal line	7x 0.25 mm
Core diameter including insulation	1.2 mm $\pm$ 0.07 mm
Thickness, insulation	0.21 mm
Wire colors	Black, brown, blue, white
Insulation resistance	$\geq 20 \text{ M}\Omega \cdot \text{km}$
Conductor resistance	$\leq 57.6 \text{ m}\Omega/\text{m}$
Nominal voltage, conductor	300 V
Test voltage, conductor	2000 V AC
Material conductor insulation	TPE
Conductor material	Tin-plated Cu litz wires

**Certificates / Approvals**



Certification CUL, GOST, UL

**Accessories**

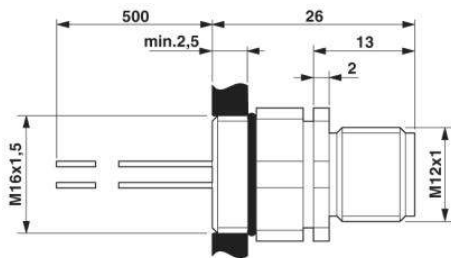
Item	Designation	Description
------	-------------	-------------

**Assembly**

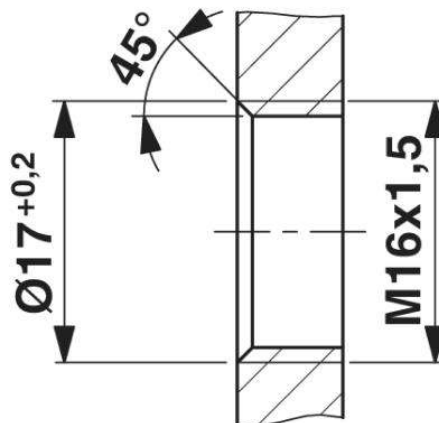
1504097	SACC-E-MU-M16	Flat nut with M16 thread
---------	---------------	--------------------------

**Diagrams/Drawings**

Dimensioned drawing

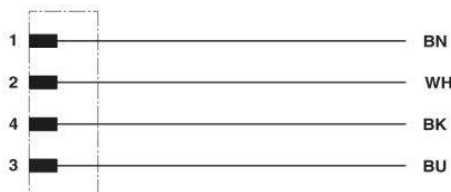


M12 flush-type connector



Housing cutout for M16 fastening thread, mounting panel with thread

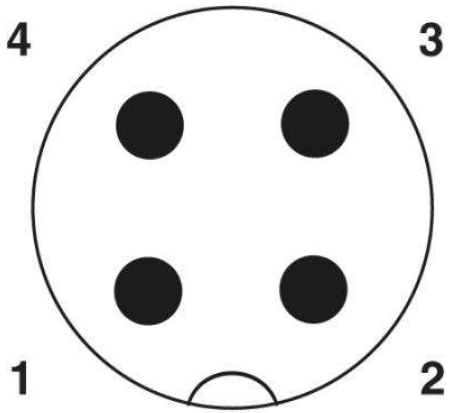
Circuit diagram



Contact assignment of the M12 plug and the M12 socket

Schematic diagram

Pin assignment M12 plug, 4-pos., A-coded, view plug side



**Address**

PHOENIX CONTACT Inc., USA  
586 Fulling Mill Road  
Middletown, PA 17057, USA  
Phone (800) 888-7388  
Fax (717) 944-1625  
<http://www.phoenixcon.com>



© 2010 Phoenix Contact  
Technical modifications reserved;