

6

5

4

3

2

1

REVISIONS					
REV.	ECR#	ZONE	DESCRIPTION	CHANGED BY/DATE	APPROVED BY/DATE
AA			PRELIMINARY RELEASE	S.J. 9/7/2010	S.J. 9/7/2010
AB	MAN-4289		REMOVED DRAIN SLOT AND VENTED CAP NOTES, ADDED MOUNTING TO CHART	S.J. 3/16/2011	K.S. 3/17/11

D

D

C

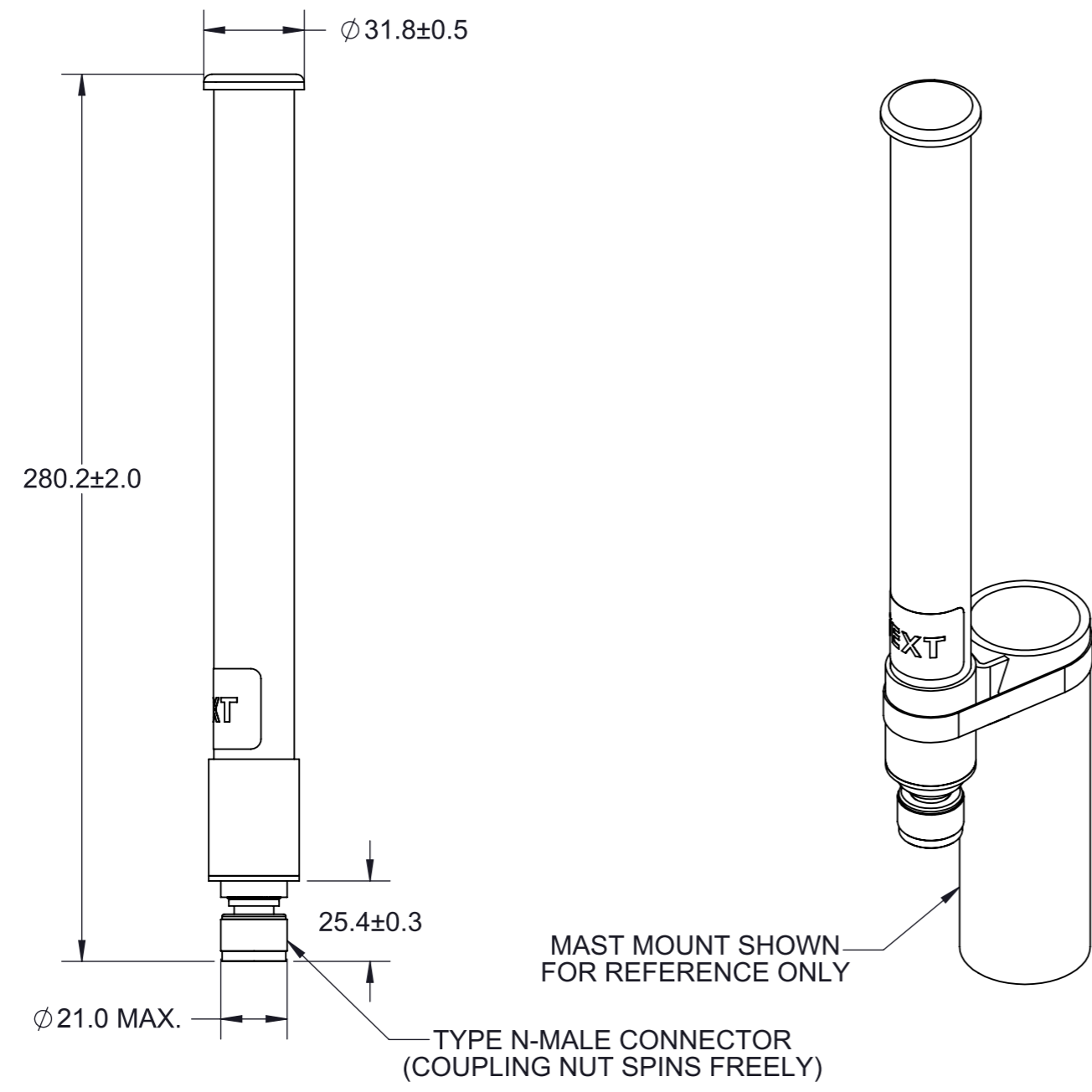
C

B

B

A

A



PARAMETER	PERFORMANCE	
MODEL NUMBER	OC24516-FNM	
FREQUENCY/GAIN	2400-2500MHz	3dBi TYP
FREQUENCY/GAIN	5150-5850MHz	6dBi TYP
POLARIZATION	LINEAR, VERTICAL	
VSWR	2.0:1	
ELEVATION PLANE 3dB BEAMWIDTH	50° @ 2400-2500MHz 18° @ 5150-5850MHz	
AZIMUTH PLANE 3dB BEAMWIDTH	360°	
CONNECTOR TYPE	FIXED N-MALE	
POWER	10W	
MOUNTING	CONNECTOR FIXED OR MAST MOUNT KIT, UPRIGHT OR INVERTED ORIENTATION	
WEIGHT (W/OUT MOUNTING KIT)	0.16kg	

MATERIAL: N/A		THIRD ANGLE PROJECTION			
FINISH: N/A					
APPROVALS		DATE		TITLE:	
DRAWN BY	S. JOHNSON	9/7/10		OC24516-FNM	
PROJ. ENG.	T. PETROPOULOS	9/13/10			
APPL. MECH.	K. SEARL	9/10/10			
MFG.	I. CHICKLIS	9/10/10			
INTERPRET DIMENSIONING AND TOLERANCING IN ACCORDANCE WITH ASME Y14.5M-2009 TOLERANCES UNLESS OTHERWISE SPECIFIED DIMENSIONS ARE IN MILLIMETERS		ANGLE: ±30' 0 PLACE DECIMAL: ±0.5 1 PLACE DECIMAL: ±0.25 2 PLACE DECIMAL: ±0.13 SURFACE ROUGHNESS 1.6/√		SIZE A3	
DWG. NO. OC24516-FNMMO		REV AB		SCALE: 1:2 PREVIOUS# SHEET 1 OF 1	

THIS DRAWING IS UNPUBLISHED.	RELEASED FOR PUBLICATION - , -
© Copyright 2022 TE Connectivity Ltd.	ALL RIGHTS RESERVED.

6

5

4

3

2

1