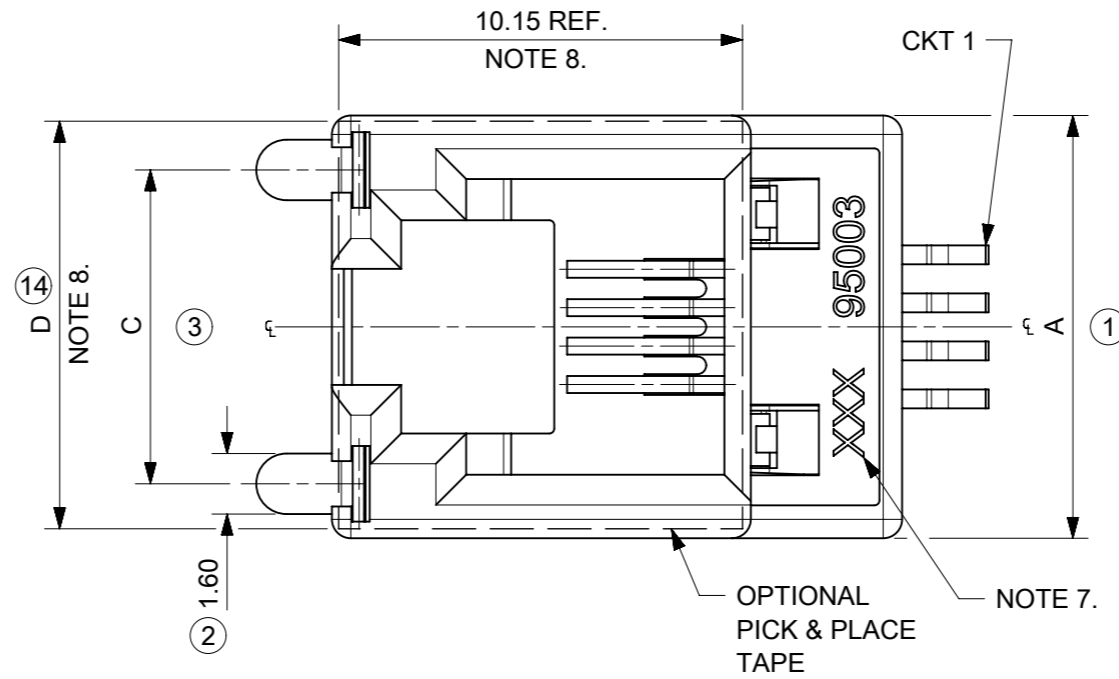


PART NO.	HOUSING SIZE	LOADED CKTS	TOOLED	PACKAGING	PICK & PLACE TAPE	A	B±0.15	C	D
85510-5020	8	8	YES	BLISTER ON REEL 13"	NO	15.24	8.89	10.77	14.40 +0.2 -0.4
85510-5120					YES				
85510-5028	8	8	YES	BLISTER ON REEL 22"	NO				
85510-5019	6	6	YES	BLISTER ON REEL 13"	NO	13.21	6.35	9.95	12.40 +0.2 -0.4
85510-5119					YES				
85510-5027	6	6	YES	BLISTER ON REEL 22"	NO				
85510-5018	6	4	YES	BLISTER ON REEL 13"	NO	13.21	3.81	9.95	12.40 +0.2 -0.4
85510-5118					YES				
85510-5017	4	4	YES	BLISTER ON REEL 13"	NO	11.18	3.81	8.40	10.40 +0.4 -0.2
85510-5117					YES				
85510-5025	4	4	YES	BLISTER ON REEL 22"	NO				



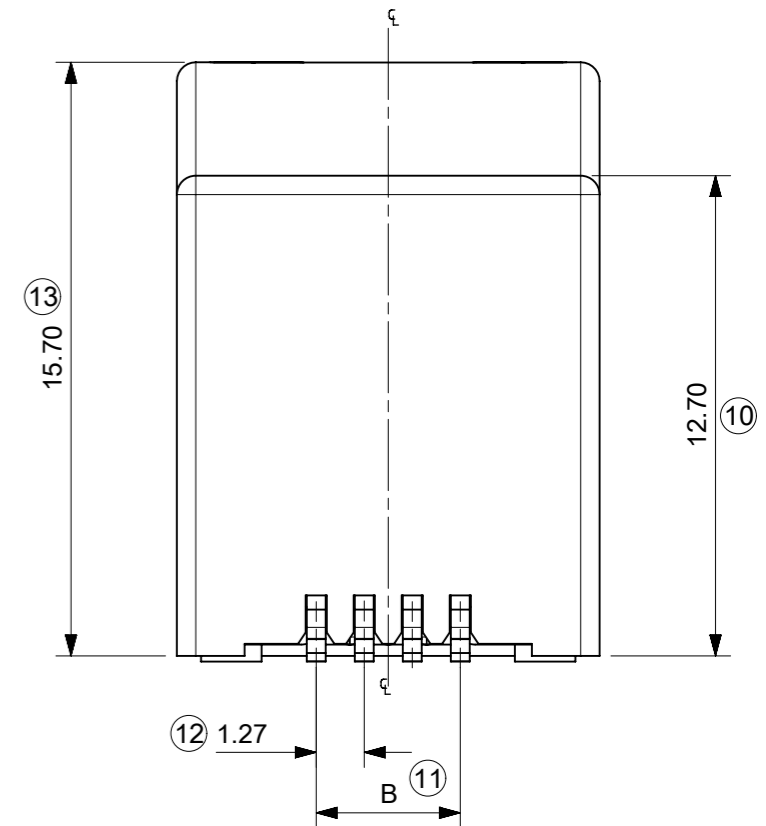
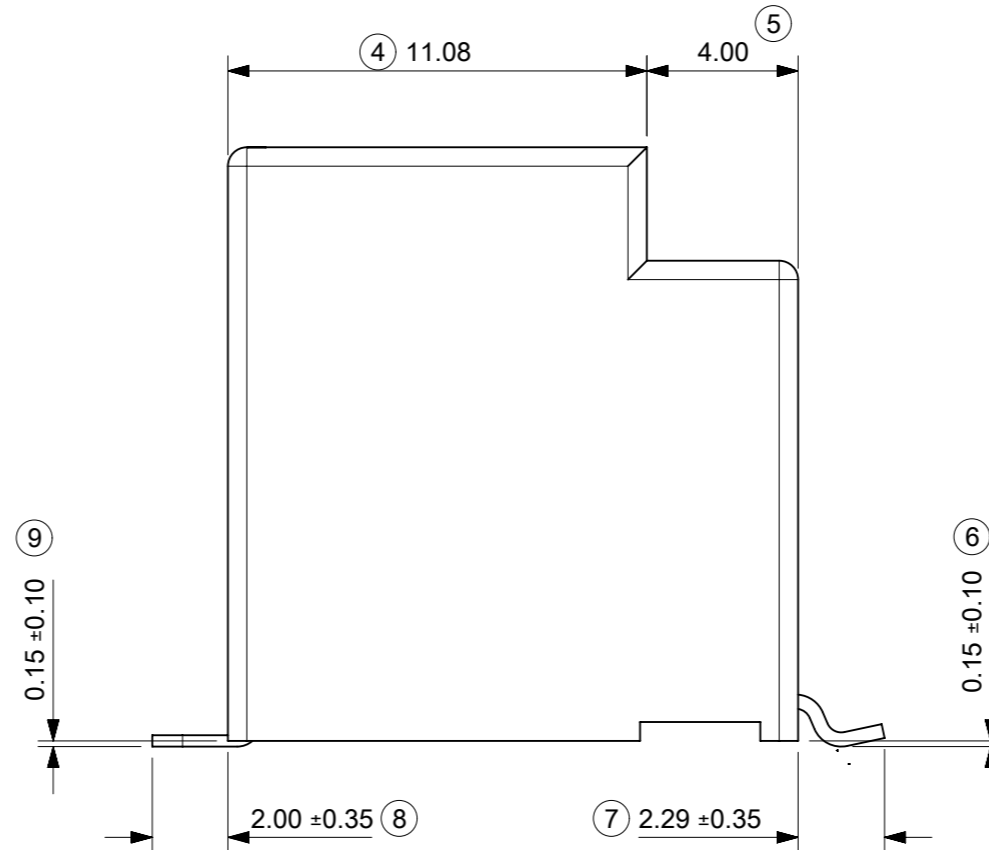
TECHNICAL SPECIFICATIONS:

- MATERIAL:**
HOUSING: LCP FIBER GLASS FILLED UL 94-V0 COLOUR: BLACK
TERMINAL: COPPER ALLOY PLATED WITH:
BASE FINISH: NICKEL
CONTACT SURFACE FINISH:
GOLD
OR
GOLD FLASH OVER PALLADIUM NICKEL.
EXCEEDS PRODUCT REQUIREMENTS BASED ON PS-95503-001

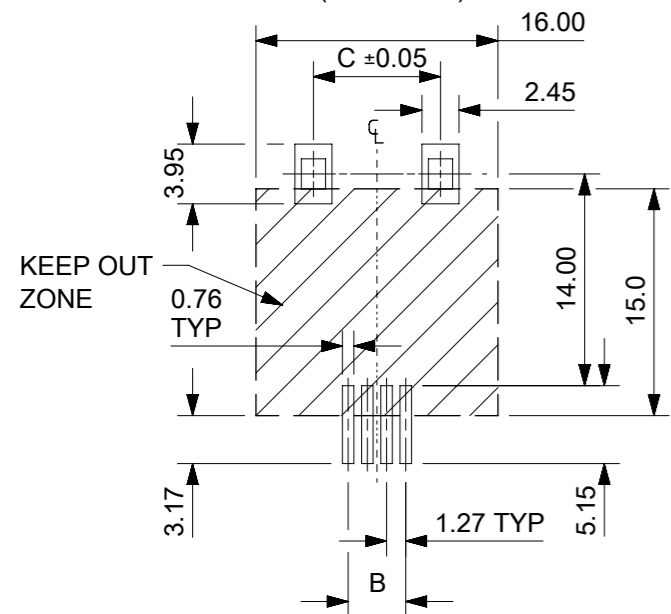
SOLDER NAILS: COPPER ALLOY PLATED WITH TIN

- JACK FOR MATING WITH IEC 60603-7 AND TIA-1096-A PLUGS (MOLEX 95075 SERIES).
- PRODUCT SPECIFICATION: MOLEX PS-95503-001
- APPLICATION SPECIFICATION: AS-85513-001
- PACKAGING SPECIFICATION: PK-85510.
SHEET 1 (TAPE ON REEL)
SHEET 2 (BLISTER ON REEL 13")
SHEET 3 (BLISTER ON REEL 22")
- COPLANARITY OF SIGNAL LEADS: 0.10 MAX.
- MANUFACTURING I.D CAN BE EITHER MG, MXF, MXI OR MXCH.
- PICK AND PLACE KAPTON AVAILABLE AS OPTION.

LAST INSPECTION NO.: 15



PCB MOUNTING PATTERNS
(SEE FROM COMPONENT SIDE)
(SCALE 2:1)



(ONLY 4/4 VERSION PADS SHOWN)
ALL DIMENSIONS REF DIMENSIONS

THIS DRAWING CONTAINS INFORMATION THAT IS PROPRIETARY TO MOLEX ELECTRONIC TECHNOLOGIES, LLC AND SHOULD NOT BE USED WITHOUT WRITTEN PERMISSION										
DIMENSION UNITS	SCALE	CURRENT REV DESC: REMASTERED USING 3D MODELS								
mm	5:1									
GENERAL TOLERANCES (UNLESS SPECIFIED)										
ANGULAR TOL	± 2.0°	TOP ENTRY SMT JACKS 4/4 6/6 AND 8/8 POS. WITH SOLDER NAILS PRODUCT CUSTOMER DRAWING								
4 PLACES	±									
3 PLACES	±									
2 PLACES	± 0.15									
1 PLACE	± 0.25									
0 PLACES	±	EC NO: 686836 DRWN: SANTHN 2021/05/20 CHK'D: KLANG 2022/01/12 APPR: KLANG 2022/01/12 INITIAL REVISION: DRWN: DBYRNES 2007/01/22 APPR: EOMAHONY 2007/01/25								
DRAFT WHERE APPLICABLE MUST REMAIN WITHIN DIMENSIONS		THIRD ANGLE PROJECTION	DRAWING	SERIES	MATERIAL NUMBER	CUSTOMER	DOCUMENT NUMBER	DOC TYPE	DOC PART	REVISION
			A3-SIZE	85510		GENERAL MARKET	SD-85510-002	PSD	001	F2
										SHEET NUMBER
										1 OF 1