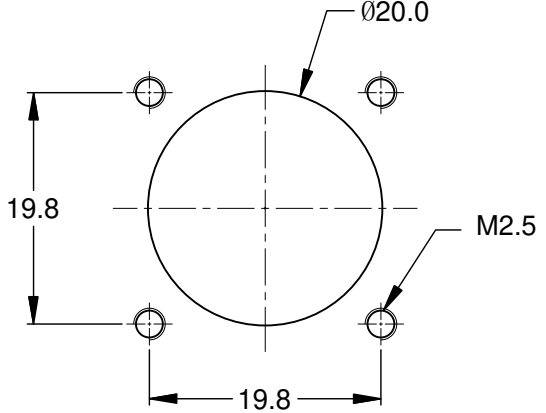
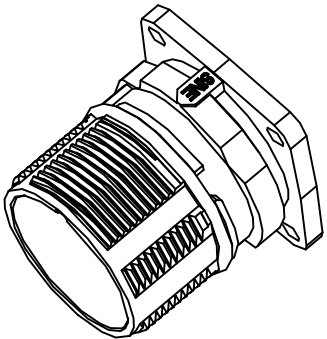
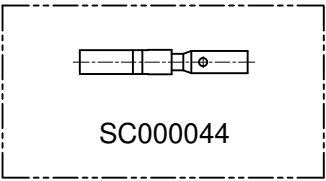
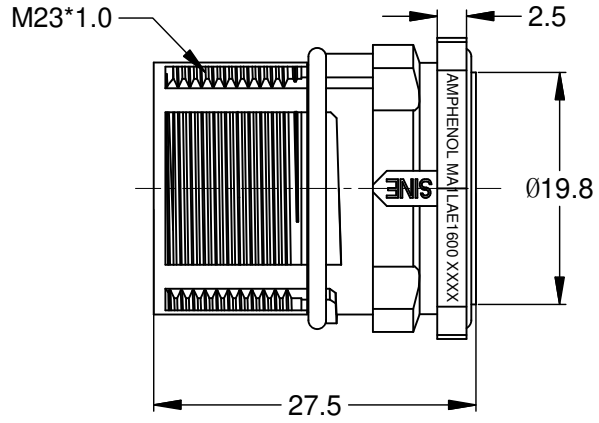
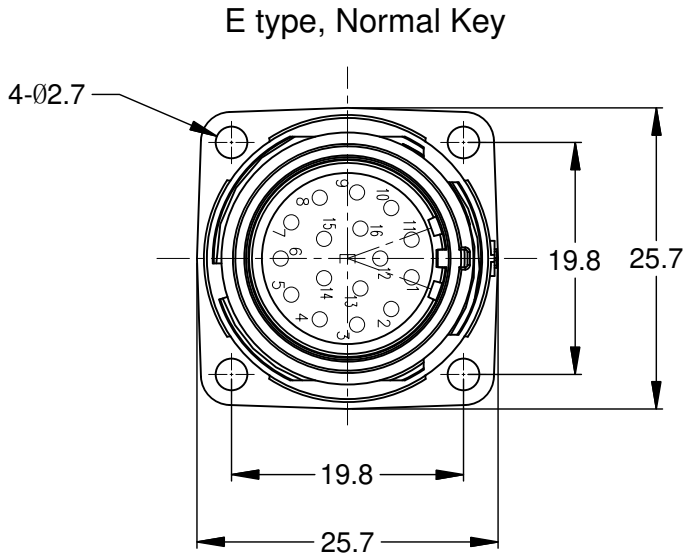


REVISIONS					
REV	ECO	DESCRIPTION	DATE	BY	APPR
A1	-	FIRST RELEASE	Jun.27,2015	Drack	Tommy

NOTES: UNLESS OTHERWISE SPECIFIED

1. MATERIAL:
  - 1.1, HOUSING BODY: ZINC DIE CAST, NICKEL PLATED
  - 1.2, INSULATION INSERT: PA66,UL94 V0
  - 1.3, CONTACT: COPPER ALLOY, GOLD PLATED
  - 1.4, SEAL: VITON
2. SPECIFICATIONS:
  - 2.1, CURRENT RATING: 9 AMPS
  - 2.2, VOLTAGE RATING: 125 V AC/DC
  - 2.3, OPERATING TEMPERATURE: -20°C TO +130°C
  - 2.4, DIELECTRIC WITHSTANDING VOLTAGE: LESS THAN 2 MILLIAMPS CURRENT LEAKAGE @ 2500 VOLTS AC.
  - 2.5, DEGREE OF PROTECTION: IP67 ( MATED CONDITION )
  - 2.6, DEGREE OF POLLUTION: 3 PER UL840
  - 2.7, OVERVOLTAGE CATEGORY: III PER UL840
  - 2.8, MATING CYCLE DURABILITY: >500 CYCLES
  - 2.9, RoHS COMPLIANT
3. AVAILABLE WIRE RANG: 18AWG TO 22AWG
4. CONTACTS EXTRACTION TOOL: 50-54931-1
5. ALL DIMENSIONS ARE FOR REFERENCE USE ONLY.



Mounting Holes

16	SC000044	CONTACT, SOCKET, Ø1.0MM	
1	MA1LAE1600	CONNECTOR	
QUANTITY	PART NUMBER	DESCRIPTION	ITEM

MATERIALS LIST

UNLESS OTHERWISE SPECIFIED 1) All dimensions are in metric(mm). 2) Tolerances are as follows: 1 PL DEC ±0.30    Fractions ±1/64 2 PL DEC ±0.15    Angles ±1° 3 PL DEC ±0.08 3) Note reference = $\triangle$ X		SIGNATURES    DATE DRAWN:    Drack    Jun.27,2015 CHECKED: ENGINEER: APPROVAL:		<h1 style="text-align: center;">Amphenol</h1> <p style="text-align: center;">Sine Systems - www.amphenol-sine.com 44724 Morley Drive Clinton Township, MI 48036</p>	
MATERIAL SPECIFICATIONS:		CUSTOMER:			
PROCESS SPECIFICATIONS:		THIS DRAWING IS SUPPLIED FOR INFORMATION ONLY. DESIGN FEATURES, SPECIFICATIONS AND PERFORMANCE DATA SHOWN HEREON ARE THE PROPERTY OF THE AMPHENOL CORPORATION. NO RIGHTS OF REPRODUCTION ARE IMPLIED. ALL DIMENSIONS ARE SUBJECT TO NORMAL MANUFACTURING VARIATIONS.		<p style="text-align: center;">KIT:M23,A SERIES,RECEPTACLE 16 POS.,1.0mm SOCKETS</p>	
NEXT ASSY:		SIZE: <b>B</b>	TYPE: <b>C-</b>	DWG NO: <b>MA1LAE1600S-KIT</b>	REVISION: <b>A1</b>
		SCALE: <b>NONE</b>		SHEET <b>1</b> OF <b>1</b>	

TITLE: KIT:M23,A SERIES,RECEPTACLE,16 POS.,1.0mm SOCKETS  
 DWG NO.: MA1LAE1600S-KIT  
 REV: A1  
 SH: 1  
 OF: 1