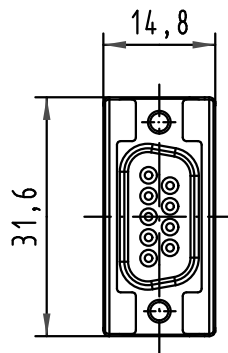
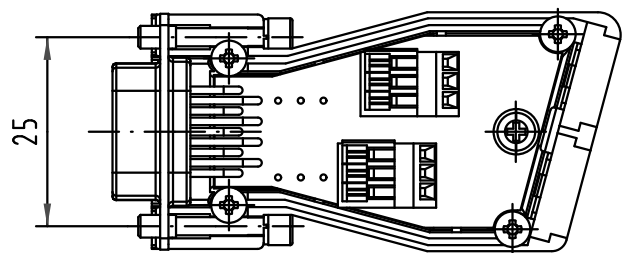
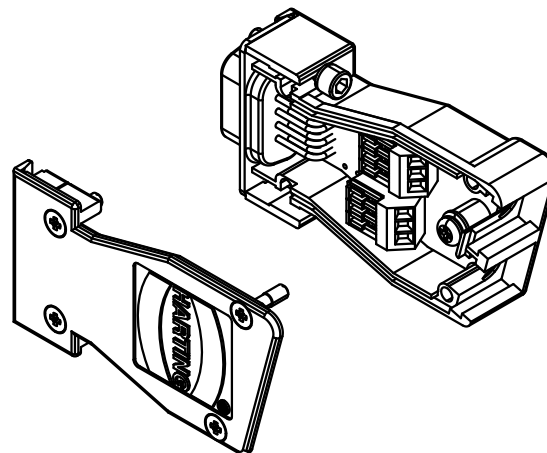
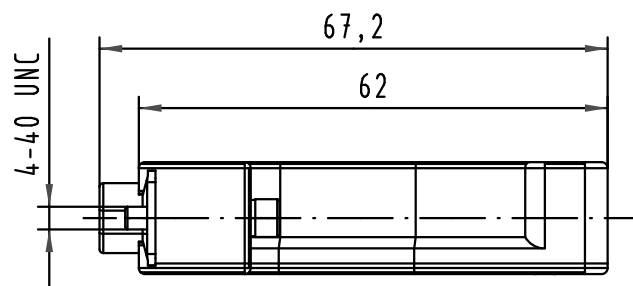
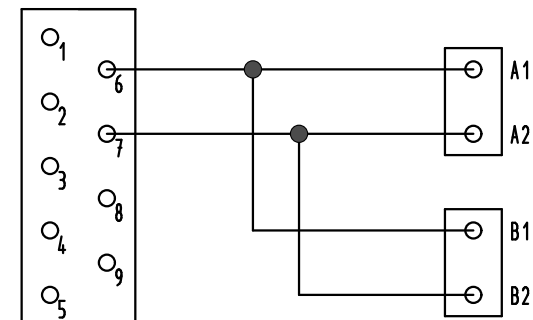


Darstellung ohne Deckel  
view without cover



FIP interface



	All Dimensions in mm Original Size DIN A 4			Techn. Character.		Nicht tolerierte Maßel Free size tolerances	
				Dat.	Name		Maßstab/Scale
				Detail.	06.04.05 Bus.	<b>InduCom 9</b> Female - FIP middle of the line 4/40 UNC - Without clamp accessory	
			Insp.				1:1
			Stand.				
66 63 009 5017	S4	36171	05/10/10	SC	HARTING EURL		TB 66 63 009 X017
Part number	Performance level	36094	06/09/10	BH	F-95972 Paris		
		32614					Blatt/ page 1 / 1
		Mod.	Dat.	Name	Sub.		